



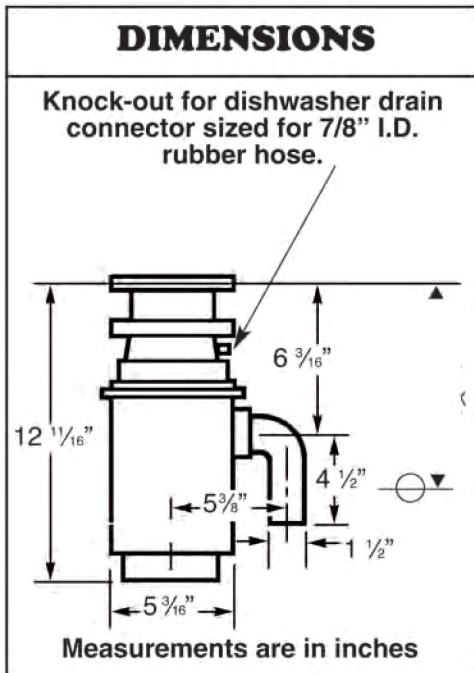
SUBMITTAL SHEET
 MODEL 191AP & 191AP-PC* • 1/3 H.P.
 MODEL 291AP & 291AP-PC* • 1/2 H.P.

- Adapter allows mounting to Any Sink Flange
- Space saving compact design!
- Vortex Powered, permanent magnet motor produces more power per pound.
- Corrosion resistant grinding components.
- Fast and easy replacement.
- Removable splash guard is included.
- Safe for properly sized septic tanks.
- Longest warranties in the industry demonstrate commitment to quality.

SEPTIC SAFE



Two Year Over-the-Counter Replacement Warranty (see below).



Whirlaway® Warranty

Any Whirlaway® Model 191AP, 191AP-PC, 291AP or 291AP-PC less than 2 years old that develops a material or mechanical defect will be replaced with a new like model free of charge.

SPECIFICATIONS

	191AP/191AP-PC	291AP/291AP-PC
Motor Horsepower	1/3 H.P.	1/2 H.P.
Motor Speed R.P.M.	1900	2600
Voltage	115	115
Hz	60	60
Current-Amps	4.0	4.0
Motor Type	Permanent Magnet	Permanent Magnet
Sink Flange	Stainless Steel & Celcon	Stainless Steel & Celcon
Stopper	Positive Seal	Positive Seal
Splash Guard	Removable	Removable
Waste Elbow	ABS	ABS
Feed	Continuous	Continuous
Grind Ring	Heavy Gauge Galvanized Steel	Heavy Gauge Galvanized Steel
Swivel Impellers	Stainless Steel	Stainless Steel
Turntable	Galvanized Steel	Galvanized Steel
Hopper	Glass Filled Nylon	Glass Filled Nylon
Grinding Chamber	Corrosion Proof Glass Filled Polyester	Corrosion Proof Glass Filled Polyester
Bearings	Permanently Lubricated; Sleeve Type	Permanently Lubricated; Sleeve Type
Overload Protector	Manual Reset Type	Manual Reset Type
Shipping Weight (lbs.)	8.1	8.1
Pallet Quantity	196	196

*36" power cord is included with a 191AP-PC and 291AP-PC unit.

Due to continued product improvement, system configurations and specifications may change without notice.

25300 Al Moen Dr.
 North Olmsted, OH 44070
 (800) 854-3229 • anaheimmfg.com