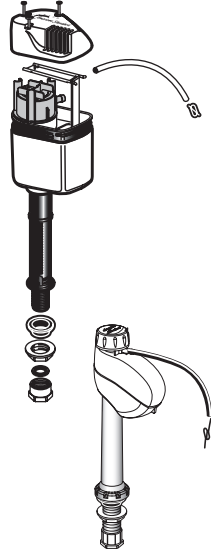


**COTILLION 1.6 GPF
ELONGATED TOILET
MODEL NUMBER**

American Standard

2327.013

ORIGINAL EQUIPMENT
WATER CONTROL



**REPLACEMENT
SMART VALVE
3198.000-B**

TANK
COVER

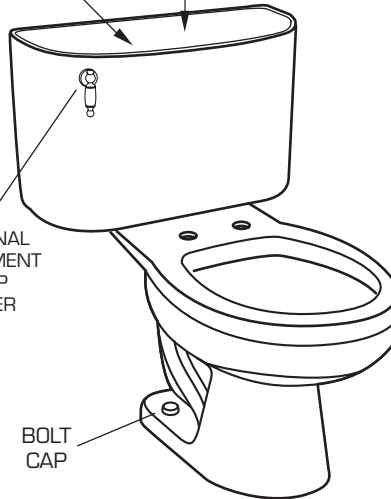


ORIGINAL EQUIPMENT
FLUSH VALVE



ORIGINAL
EQUIPMENT
FLAPPER
ASSEMBLY

ORIGINAL
EQUIPMENT
TRIP
LEVER



BOLT
CAP

SEAT AND COVER
(INCLUDES MTG. KIT)



SEAT POST
MTG. KIT

★ Replace XXX with
Fixture Color Code,
YYY with Trim Finish

DESCRIPTION	▷ COMPONENT	PKG QTY
★ Elongated Bowl w/Bolt Caps	3045.021.215	1
★ Tank Complete with Trim	4125.019.215	1
★ Tank Cover	735058.400.215	1
Seat and Cover	5324.019.215	1
Seat Post Mounting Kit	760030-100.215	1
ORIGINAL EQUIPMENT REPAIR PARTS	PART NUMBER	PKG QTY
★ Bolt Cap Kit	034783-XXX0A	2
Coupling Kit, Bowl-to Tank	047188-0070A	1
★ Trip Lever	738073-YYY0A	1
Water Control Assembly	3184.000	1
Flush Valve	738057-0070A	1
Flapper Assembly	047146-0070A	1

▷ FOR COMPONENT PART ORDERING SEE CURRENT PRODUCT SELECTOR AND PRICING GUIDE.