

1-1/2" EXTENDED TUB WASTE AND OVERFLOW

INSTALLATION & CARE INSTRUCTIONS



FOR MODEL NUMBERS

CCL1002CP CCL1002SN
 CCL1002ORB CCL1002PN
 CCL1002PB

NEEDED TOOLS & SUPPLIES

- Tape Measure
- Thread Sealant
- Pliers
- Pipe Wrench
- Hacksaw
- Adjustable Wrench
- Screwdriver

FEATURES

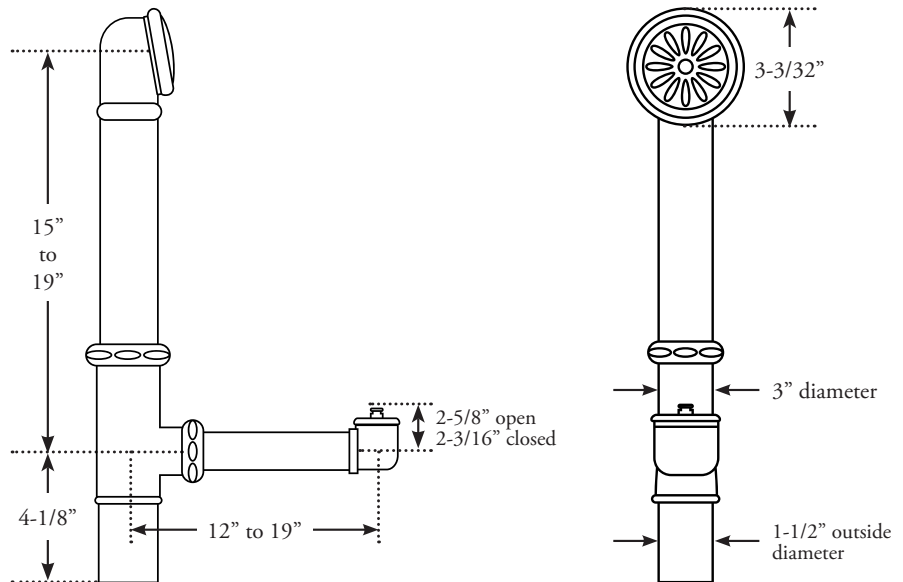
- Twist-and-lift Stopper
- Includes Deep Escutcheon
- Height & Depth Adjustable

SPECIFICATIONS

HEIGHT 15" to 19"
 DEPTH 12" to 19"
 ESCUTCHEON
 HEIGHT 1-1/4"

Be sure to consult a professional if you are unfamiliar with installing bathroom fixtures and plumbing.

Cahaba Classics accepts no liability for any damages to the floor, walls, plumbing or personal injury during installation.



Cahaba Classics
 LUXURY KITCHEN & BATH

For Warranty Issues or Questions, Contact Cahaba Classics at (866) 837-2550

©2018 CAHABA CLASSICS. ALL RIGHTS RESERVED.

1-1/2" EXTENDED TUB WASTE AND OVERFLOW

INSTALLATION INSTRUCTIONS

1 Gather all recommended equipment and supplies.

Because tubs vary in size, measure your space thoroughly before installation.

TOOLS & SUPPLIES

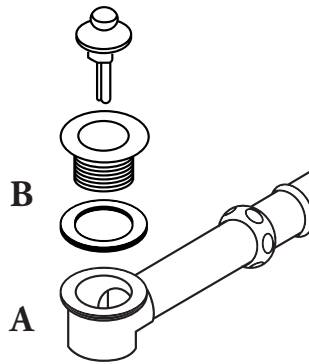
- Tape Measure
- Thread Sealant
- Pliers
- Pipe Wrench
- Hacksaw
- Adjustable Wrench
- Screwdriver

2 Apply thread sealant or plumber's tape to the threads at end of all pipes.

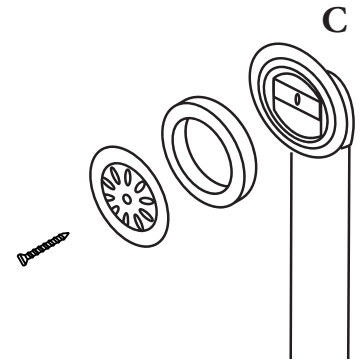
If two pipes arrive attached, be sure to take them apart and apply sealant before installing.



3 Connect the tub shoe assembly (A), and rubber washer to the tub drain (B).



4 Install the overflow assembly (C) with the beveled washer, overflow plate, mounting screw (provided) and any other washers or rubber sealing gaskets included.

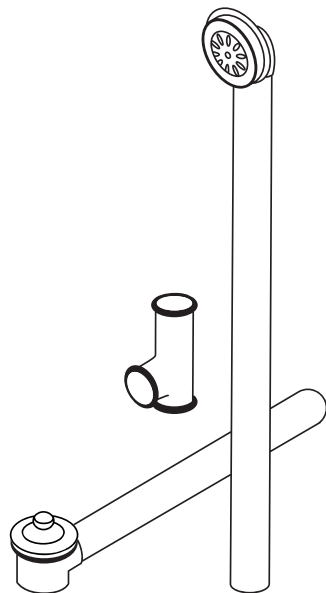


5 Trim drain pipes.

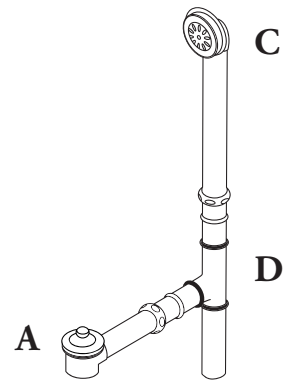
Connect the overflow and drain assemblies and pipes to the tub.

The T-connection will be attached at the points where the drain pipes intersect. Measure and mark each pipe so that the ends reach a little over halfway into the T-Connection hubs.

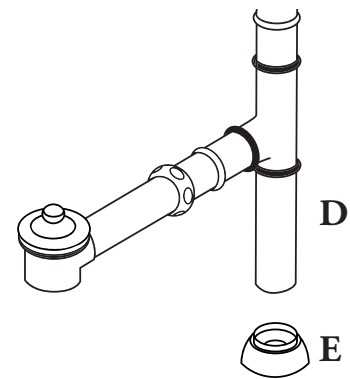
Trim the pipes as necessary with a hack saw with a blade that is suitable for cutting metal.



6 Attach the waste and overflow tee (D) to the overflow assembly (C) and shoe assembly (A) with sealing washers and slip nuts.



7 Attach the drain tube and flange (E) to the waste and overflow tee (D) with the sealing washer and slip nut.



Cahaba Classics
LUXURY KITCHEN & BATH

For Warranty Issues or Questions, Contact Cahaba Classics at (866) 837-2550

©2018 CAHABA CLASSICS. ALL RIGHTS RESERVED.

1-1/2" EXTENDED TUB WASTE AND OVERFLOW

CARE & MAINTENANCE

Our tub fillers, supply lines, and drains are engineered for superior performance inside and out. Following a regular cleaning schedule and understanding how to maintain your fixtures is key to keeping the finishes intact for years to come.

RECOMMENDED CLEANERS

- ❖ To maintain the luster of your tub filler, supply lines and drains, we recommend wiping your faucet with a damp cloth and mild household cleanser. Dry with a soft cloth.
- ❖ Remove hard water stains with a 50/50 solution of white vinegar and water. Rinse thoroughly with water afterward.

MAINTENANCE

- ❖ To prevent the accumulation of mineral deposits, dry your fixtures with a soft cloth after each use
- ❖ To remove difficult mineral deposits on your handshower, unscrew it from the assembly. Soak it in a 50/50 vinegar and water solution for several hours. Rub stubborn deposits with a soft toothbrush. Rinse thoroughly and dry with a soft cloth.
- ❖ Applying carnauba wax to your fixtures is a great way to maintain the finish in the long-term because it helps prevent mineral deposits and other buildup. Whether you have oil rubbed bronze or chrome fixtures, apply wax twice annually to maintain them.

CAUTION

- ❖ DO NOT clean your tub filler, supply lines or drains with any type of abrasive cleaner. Although your fixture's finish is extremely durable, it can be damaged or scratched by harsh cleaners or abrasives. Here's what to avoid:
 - ◆ Products that state on the label that they remove tarnish and rust
 - ◆ Products containing hydrofluoric, hydrochloric and/or phosphoric acids and caustic agents
 - ◆ Industrial cleaners,
 - ◆ Abrasive cleaners
 - ◆ Toilet bowl cleaners
 - ◆ Bleach-based cleaners
 - ◆ Polish
 - ◆ Ammonia solutions
 - ◆ Heavy-duty scrub sponges
- ❖ DO NOT use drain cleaners, since they could strip the finish from the drain. If you have to, remove the drain pop-up and pour the cleaner carefully so that it touches only the plumbing it's being poured into.

Cahaba Classics
LUXURY KITCHEN & BATH

For Warranty Issues or Questions, Contact Cahaba Classics at (866) 837-2550

©2018 CAHABA CLASSICS. ALL RIGHTS RESERVED.

ONE YEAR LIMITED WARRANTY

This product has been manufactured and tested to the highest quality standards by Cahaba Classics. We offer our customers thoughtfully crafted fixtures & accessories, engineered for enduring performance over years of use.

WHO IS COVERED BY THE WARRANTY

This warranty extends to the original purchaser only. This warranty is not transferable, between homes or owners and is only applicable to residential use.

WHAT IS COVERED BY THE WARRANTY

Cahaba Classics warranties this product against defects due to material or craftsmanship error during the 12-month warranty period: Cahaba Classics will provide replacement parts at no charge, or at its option, replace any product or part of the product that is deemed defective, under normal installation, use, service and maintenance. If Cahaba Classics is unable to provide a replacement and repair is not practical or cannot be made in timely fashion, Cahaba Classics may elect to refund the purchase price in exchange for the return of the product.

CONDITIONS AND EXCLUSIONS

Like other home fixtures, Cahaba Classics products will require light maintenance to ensure proper function. We provide you with complete knowledge to perform this maintenance and can also recommend resources if you are unable to fulfill this service.

- A. Cahaba Classics will not be responsible for product failures due to lack of maintenance or proper use. Please read your care and maintenance documentation to determine the limits of proper use.
- B. The original sales receipt, order number, and/or proof of purchase must be presented at the time of the warranty claim, without exception, for this warranty to be applied to all Cahaba Classics products.
- C. Cahaba Classics recommends installing all Cahaba Classics products with a licensed, professional plumber. Cahaba Classics will not be held responsible for any damage or product failure due to improper installation, misuse, or failure to use a licensed professional. Please read your care and maintenance documentation to determine the limits of proper use.
- D. Commercial use will automatically void this warranty.

NON-APPLICABILITY OF THIS WARRANTY

By the purchase and use of our products, you agree that Cahaba Classics is not liable for incidental, consequential or special damages associated with the return, replacement, installation or use of your product. This includes freight costs, cartridge replacement, labor, travel time, lost profit, home damages and other contingent liabilities and costs (including, without limitation, costs associated with experts, investigations, analyses, attorneys and other professionals and services).

The Cahaba Classics warranty is a comprehensive and explicit limit of liability and all items outside of it are not addressable by or the responsibility of Cahaba Classics. Certain states have variances regarding implied warranties and in those situations we remain fully compliant. Cahaba Classics makes no implication that products comply with any or all local building or plumbing codes. It is the consumer's responsibility to determine local code compliance. This warranty extends to the original purchaser and first consumer.

Cahaba Classics
LUXURY KITCHEN & BATH

For Warranty Issues or Questions, Contact Cahaba Classics at (866) 837-2550

©2018 CAHABA CLASSICS. ALL RIGHTS RESERVED.