



# S59-4016 Series Navigator® Thermostatic Mixing Valves

- Lead-free design†
- Glass-filled polysulfone valve body
- Thermoplastic polymer cartridge
- Reliable wax-filled thermostat
- Adjustable set point within temperature range
- Easy installation and serviceability
- Universal Mounting Capability
- Integral check valves and strainers
- Factory assembled and tested
- Optional mounting bracket

## Valve Specifications

**Maximum Operating Pressure**  
125 PSI (860 kPa)

**Maximum Inlet Temperature**  
180° F (82° C)

**Temperature Range**  
Std. 59° F (15° C) to 140° F (60° C)

**Temperature Differential – Hot to Mix**  
10° F (18° C)

**Flow Capacities – GPM (L/Min)**

S59-4016D, S59-4016N, S59-4016S

Min. Flow	Pressure Drop – PSI (Bar)						
	5 (.5)	10 (1.0)	15 (1.5)	20 (2.0)	30 (2.5)	45 (3.0)	60 (4.0)
0.5 (2.0)	5.0 (22.4)	7.0 (31.6)	8.5 (39.6)	10.0 (46.4)	12.5 (52.0)	15.0 (56.5)	16.5 (61.9)

S59-4016X, S59-4016Y

Min. Flow	Pressure Drop – PSI (Bar)						
	5 (.5)	10 (1.0)	15 (1.5)	20 (2.0)	30 (2.5)	45 (3.0)	60 (4.0)
0.5 (2.0)	4.0 (17.3)	5.0 (23.5)	6.5 (29.0)	7.5 (33.8)	9.0 (38.0)	11.0 (41.5)	12.5 (46.5)

## Code Compliance and Certifications

ASSE 1017, 1069, 1070 & cUPC certified. Complies with California Lead Plumbing Law.  
† Wetted surface area contains less than .25% lead.



Certified to  
NSF/ANSI 372

Standard product selections contained within this document are third party CERTIFIED to NSF/ANSI 372 meeting the Lead-Free content requirement. Any product configured with custom options will be COMPLIANT with NSF/ANSI 372 meeting the Lead-Free content requirement.

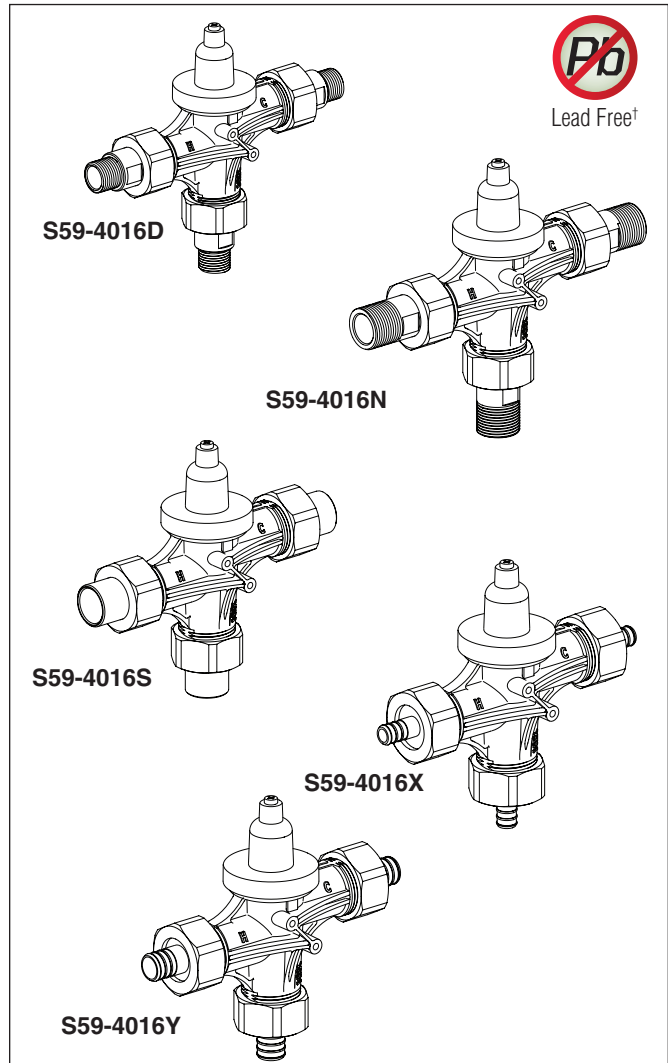
Engineer's Approval \_\_\_\_\_

Consult local and national codes. Conformity and compliance to local and national codes is the responsibility of the installer.

Page 1 of 2 8/19/2014

This information is subject to change without notice.

Bradley\_TMV\_PointOfUse\_S59-4016D\_N\_S\_X\_Y



## Models (Must select one)

Model	Description
<input type="checkbox"/> S59-4016D	Navigator® Thermostatic Mixing Valve with 1/2" NPT/sweat connections
<input type="checkbox"/> S59-4016N	Navigator Thermostatic Mixing Valve with 3/4" NPT connections
<input type="checkbox"/> S59-4016S	Navigator Thermostatic Mixing Valve with 3/4" sweat connections
<input type="checkbox"/> S59-4016X	Navigator Thermostatic Mixing Valve with 1/2" PEX connections
<input type="checkbox"/> S59-4016Y	Navigator Thermostatic Mixing Valve with 3/4" PEX connections
<input type="checkbox"/> S45-2456	Optional Mounting Bracket (Not Shown)

© 2015 Bradley  
P.O. Box 309, Menomonee Falls, WI 53052-0309  
800 BRADLEY (800 272 3539) +1 262 251 6000  
bradleycorp.com

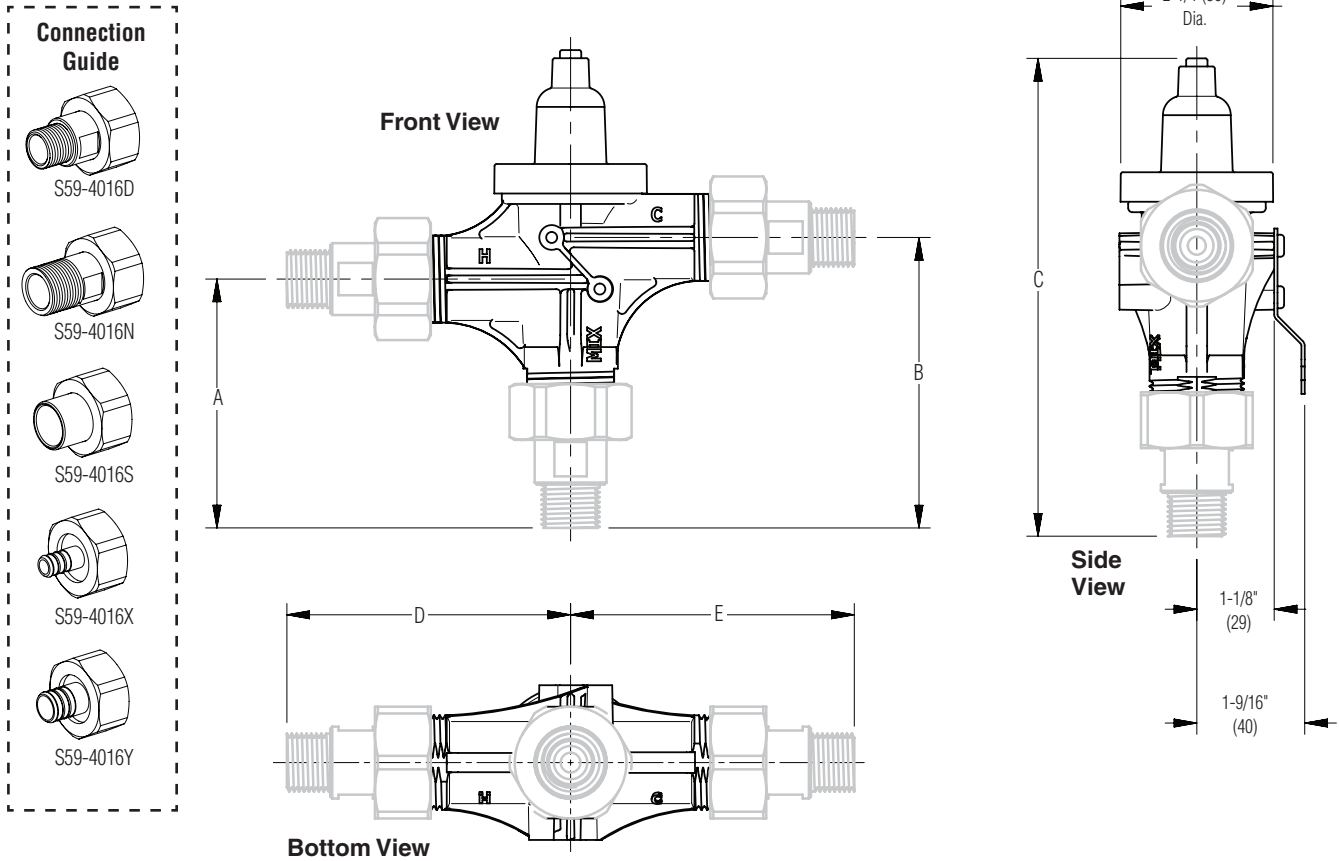


# S59-4016 Series Navigator® Thermostatic Mixing Valves

## Dimensions (mm)



Model S59-4016D (1/2" NPT/sweat connection) shown.  
Connectors shown in gray for reference.



Model No	Connection Type	Dimension A	Dimension B	Dimension C	Dimension D	Dimension E
S59-4016D	1/2" NPT/Sweat	3-5/8" (92)	4-1/4" (107)	7" (176)	4-1/8" (105)	4-1/8" (105)
S59-4016N	3/4" NPT	3-3/4" (95)	4-5/16" (110)	7" (176)	4-1/4" (107)	4-1/4" (107)
S59-4016S	3/4" Sweat	3-1/8" (79)	3-3/4" (95)	6-1/2" (164)	3-5/8" (92)	3-5/8" (92)
S59-4016X	1/2" PEX	3-1/8" (79)	3-3/4" (95)	6-1/2" (164)	3-5/8" (92)	3-5/8" (92)
S59-4016Y	3/4" PEX	3-1/8" (79)	3-3/4" (95)	6-1/2" (164)	3-5/8" (92)	3-5/8" (92)

Consult local and national codes. Conformity and compliance to local and national codes is the responsibility of the installer.

Page 2 of 2  
8/19/2014  
This information is subject to change without notice.  
Bradley\_TMV\_PointOfUse\_S59-4016D\_N\_S\_X\_Y

© 2015 Bradley  
P.O. Box 309, Menomonee Falls, WI 53052-0309  
800 BRADLEY (800 272 3539) +1 262 251 6000  
bradleycorp.com