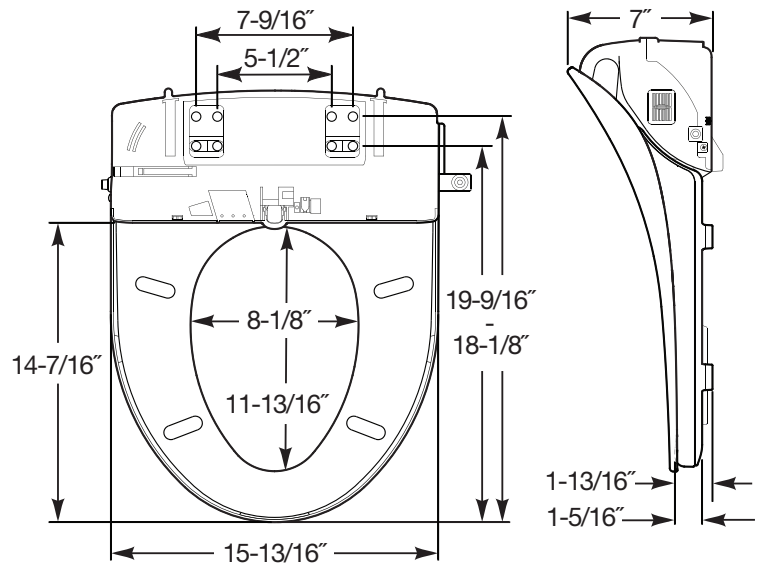




RENEW PLUS™ B1980NL

RESIDENTIAL PLASTIC TOILET SEAT



FEATURES:

- Adjustable Aerated Washes
- Continuous Heated Water
- Multi-Setting Warm Air Dryer
- 3-in-1 Stainless Steel Nozzle
- Pulsate & Oscillate Wash Functions
- Automatic Deodorizer
- Multi-Setting Heated Seat
- iLumaLight®
- Intuitive Touch Remote Control with Custom User Presets
- Eco Mode
- Easy•Clean & Change®
- Whisper•Close®
- Precision Seat Fit™
- Super Grip Bumpers™

SPECIFICATIONS:

- Size:** Elongated
- Material:** Plastic
- Style:** Closed Front with Cover
- Ring Bumpers:** Four
- Hinges:** Plastic
- Hardware:** Seat Bracket & Adjustable Hardware
- Power Rating:** AC 120V, 60Hz, 1270W, 10.58 amps
- Power Cord Length:** 70.8"
- Bidet Water Hose Length:** 24"
- Power Requirement:** GFCI Outlet
- Remote Dimensions:** 2³/₈" x 6³/₈" x 3/4"

Codes & Standards:  Complies with IAPMO/ANSI Z124.5 Standards Residential Classification





RENEW PLUS™ B1980NL

RESIDENTIAL PLASTIC TOILET SEAT

ADDITIONAL SPECIFICATIONS:

Water Feed Method: Directly Connected to Water Pipe

Recommended Water Pressure Supply: 9.956 ~ 106.675 psi

WASH FEATURE:

Feed Volume for Front, Rear, & Intense Washes: .185 gpm

Water Pressure Control: 5-level Control

Temperature Control: Room Temp. ~ 100°F

Water Heater Capacity: 1200W

Safety Device: Temp. Fuse, Thermo Switch

HEATED SEAT FEATURE:

Temperature Control: Room Temp. ~ 108°F

Seat Heater Capacity: 55W

Safety Device: Temp. Fuse

DRY FEATURE:

Temperature Control: Room Temp. ~ 122°F

Heater Capacity: 250W

Safety Device: Temp. Fuse, Bi-metal (overheating prevention)

Deodorization: Catalytic Deodorization