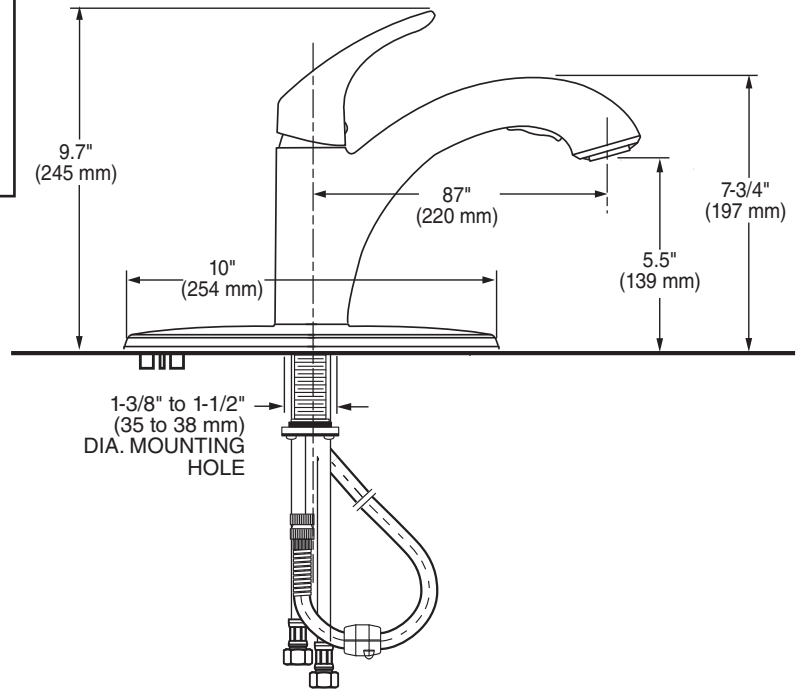


MODEL NUMBER:

□ **7074.100 Kitchen Faucet with Pull-Out Spray**



GENERAL DESCRIPTION:

Metal swivel body, handle and deck plate. Pull-out sprayer features 2 spray functions. Nylon pull-out spray hose with 2 integral check valves. Washerless 40 mm ceramic disc valve cartridge with integral hot limit safety stop. 24" Braided flexible stainless steel supply hoses with 3/8" compression connections. Metal mounting shank with brass fixation ring. 1.5 gpm/5.7 L/min. maximum flow rate. Fitting can be mounted with or without supplied metal escutcheon plate.

PRODUCT FEATURES:

Ceramic Disc Valve Cartridge: Assures smooth, precise valve control and a lifetime of drip-free, maintenance-free performance.

Memory Position Valving: Allows user to turn valve on and off at preferred temperature setting without readjusting handle position each time.

Adjustable Hot Limit Safety Stop: Limits the amount of hot water allowed to mix with cold. Reduces the risk of accidental scalding.

Lead Free: Faucet contains ≤ 0.25% total lead content by weighted average.

Integral Check Valves: Prevents back flow.

Pull-out Spray Spout: Switches water flow from a stream to a spray.

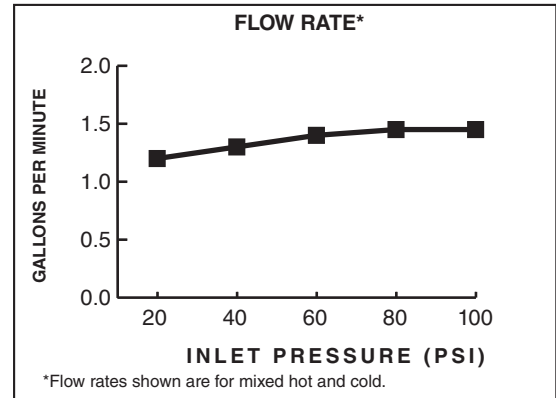
SUGGESTED SPECIFICATION

Single control kitchen pull-out faucet shall feature a swivel pull-out sprayer with two check valves, metal escutcheon plate and handle. Shall also feature washerless ceramic disc valve cartridge with integral hot limit safety stop and flexible stainless steel supply hoses. Faucet shall be American Standard Model # 7074.100._____.

CODES AND STANDARDS

These products meet or exceed the following codes and standards:

- ANSI A117.1**
- ASME A112.18.1**
- CSA B125.1**
- NSF 61/Section 9**
- NSF 372**



1.5 gpm/5.7 L/min. FLOW RATE

Product Number	Description	Finish Options	
		Polished Chrome	PVD Stainless Steel
7074.100	Pull-Out Kitchen Faucet	002	075

 Meets the American Disabilities Act Guidelines and **ANSI A117.1** Requirements for the physically challenged.