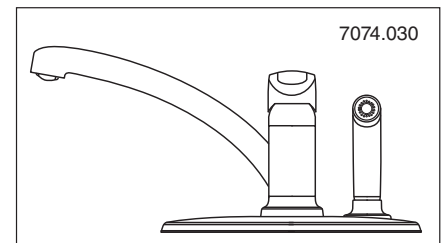


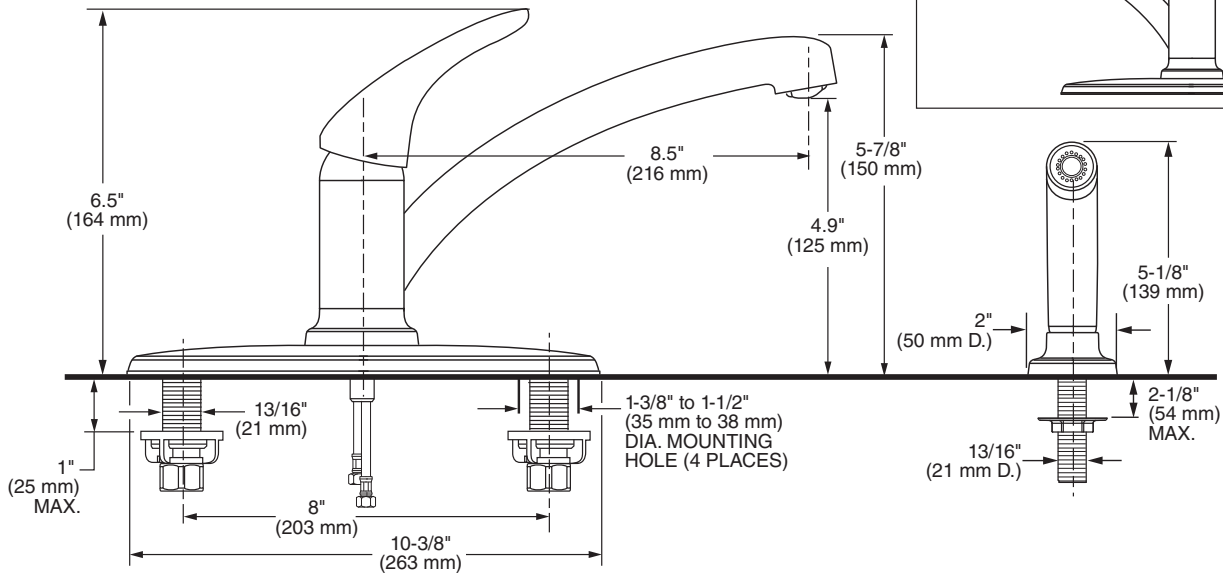
7074.040 Shown

MODEL NUMBER:

- 7074.000 Kitchen Faucet**
Less Side-spray, With Deck-plate.
- 7074.010 Kitchen Faucet**
Less Side-spray, Less Deck-plate.
- 7074.020 Kitchen Faucet**
With Side-spray, Less Deck-plate.
- 7074.030 Kitchen Faucet**
Spray Thru, With Deck-plate.
- 7074.040 Kitchen Faucet**
With Side-spray, With Deck-plate.



7074.030



GENERAL DESCRIPTION:

Brass 8-1/2" (216 mm) long swivel spout (360° rotation). Metal lever handle. Washerless 35 mm ceramic disc valve cartridge. Integrated 24" color coded stainless steel supply lines with 3/8" compression connections. 1.5gpm/5.7 L/min. maximum flow rate.

PRODUCT FEATURES:

Ceramic Disc Valve Cartridge: Assures a lifetime of drip-free performance.

Lead Free: Faucet contains ≤ 0.25% total lead content by weighted average.

Memory Position Valving: Allows user to turn valve on and off at predetermined temperature setting without readjusting handle position each time.

Large "Comfort Zone": Allows easy fine tuning of temperature.

Flexible Installation: Faucet installs in one hole and offers multiple configurations to fit your sink / counter hole needs.

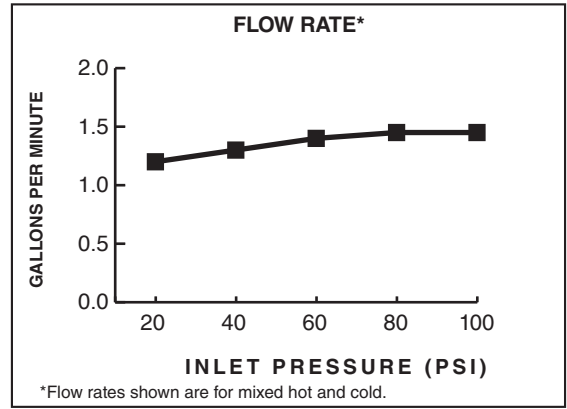
SUGGESTED SPECIFICATION

Single control kitchen faucet shall feature brass swivel spout. Shall also feature washerless 40mm ceramic disc valve cartridge and integrated 24" color coded stainless steel supply lines with 3/8" compression connections. Fitting shall be American Standard Model # 7074.0_____.

CODES AND STANDARDS

These products meet or exceed the following codes and standards:

- ANSI A117.1**
- ASME A112.18.1**
- CSA B125.1**
- NSF 61/Section 9**
- NSF 372**



1.5gpm/5.7 L/min. FLOW RATE

Product Number	Description	Finish Options	
		Polished Chrome	Stainless Steel (PVD)
		002	075
7074.000	Kitchen Faucet. Less Side-spray, With Deck-plate.		
7074.010	Kitchen Faucet. Less Side-spray, Less Deck-plate.		X
7074.020	Kitchen Faucet. With Side-spray, Less Deck-plate.		X
7074.030	Kitchen Faucet. Spray thru deck-plate, With Deck-plate.		
7074.040	Kitchen Faucet. With Side-spray, With Deck-plate.		

 Meets the American Disabilities Act Guidelines and **ANSI A117.1** Requirements for the physically challenged.