

# 6036SGWP – EVERYDAY TUB/SHOWERS

inches (mm)

60 x 34 1/2 x 76 1/2 (1525 x 875 x 1945) • Fax on Demand #5057

SOAKER MODEL #6036SG

WHIRLPOOL MODEL #6036SGWP

SUPERCORE TUB-SHOWER #6036SGSC



## FEATURES

- Tub-shower
- Smooth wall finish
- Ergonomic backrest
- Installed acrylic grab bar
- Molded toiletry shelf
- Slip-resistant textured bottom
- Left or right hand drain
- Gelcoat surface
- 3-year limited warranty

### Whirlpool Features:

- .75hp motor
- 6 adjusta-flow whirlpool jets
- Color matched or clear trim
- Pneumatic on/off control
- Advanced safety suction system

## OPTIONS

- In-line heater (whirlpool models)
- Mood light (whirlpool models)
- Designer drain, waste & overflow
- Shower Door Series L0516

## AQUATIC ADVANTAGE

- National distribution
- 6 manufacturing facilities
- Private fleet
- Centralized customer service
- Field support
- 24-hour fax-on-demand

## COLOR & TRIM OPTIONS

Stock	Premium
Almond (C)	Black (C)
Biscuit (C)	Mexican Sand* (NA)
Bone (C)	Sand Bar* (NA)
Linen (C)	
Sterling Silver (C)	
White (C)	

C = color matched trim

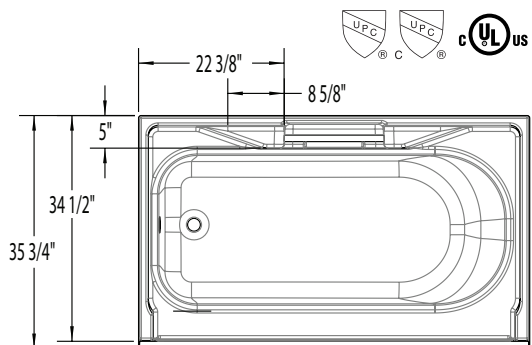
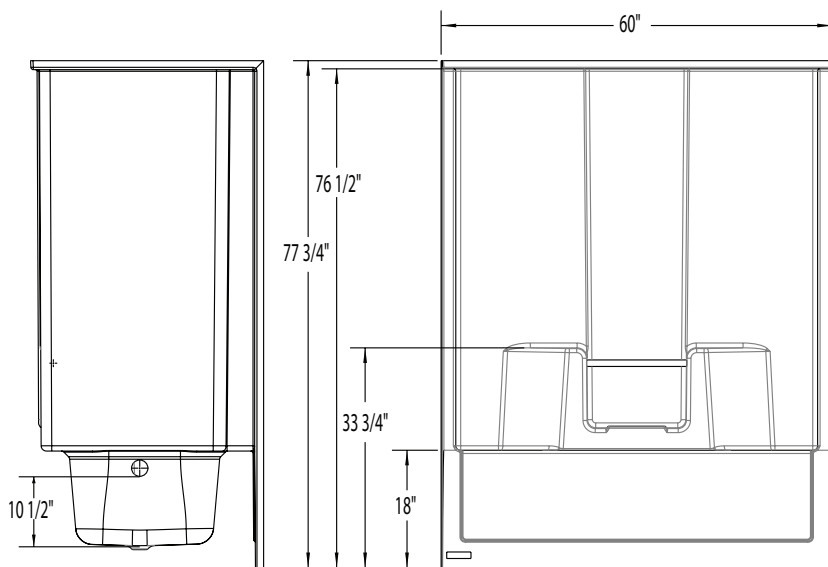
NA = not applicable

\* color not available for whirlpool models



# 6036SGWP

60 x 34 1/2 x 76 1/2 (1525 x 875 x 1945)  
inches (mm)



**FEATURES** lbs (kg)      Dimensional Tolerance  $\pm 3/8"$ . Dimensions needed for site preparation should be measured from the unit. Aquatic assumes no responsibility for preparatory work.

Model #	Material	Wall Finish	Jets	Motor	Controls	Drain	Net Wt.	Pkg. Wt.
Soaker #6036SG	Gelcoat	Smooth	0	-	-	LH or RH	128 (58)	133 (60)
Whirlpool #6036SGWP	Gelcoat	Smooth	6	0.75 HP	Pneumatic	LH or RH	178 (81)	183 (83)

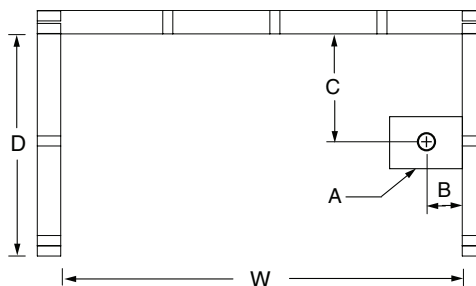
## DIMENSIONS

Specifications	inches (mm)
Width: Overall / Net	60 (1525)
Depth: Overall / Net	35 3/4 (910) / 34 1/2 (875)
Height: Overall / Net	77 3/4 (1975) / 76 1/2 (1945)
Enclosure Opening	55 1/2 (1410)
Skirt Height	18 (455)
Drain Rough-In (from Back Wall)	16 3/4 (425)
Drain Rough-In (from Side Wall)	2 3/16 (55)
Drain: Diameter / Clearance	2 (50) / 2 3/4 (70)

## FRAMING DIMENSIONS

 inches (mm)

Type	D Depth	W Width	H Height	A	B	C
Alcove	35 3/4 (910)	60 1/8 (1525)	-	Box Out	2 3/16 (55)	16 3/4 (425)



## SUMP DATA

Top of Drain to Bottom of Overflow	Capacity to Overflow gal (ltr)	Min. Operating Capacity gal (ltr)	WIDTH @ centerline		DEPTH @ centerline	
			Top	Bottom	Top	Bottom
10 1/2 (265)	40 (151)	35 (132)	53 1/4 (1355)	46 (1170)	22 3/4 (580)	21 (535)