



# 4" CENTERSET Z81104-XL

TAG \_\_\_\_\_



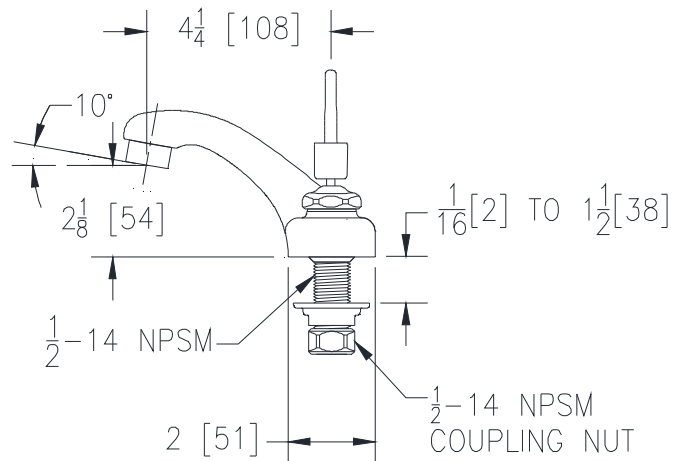
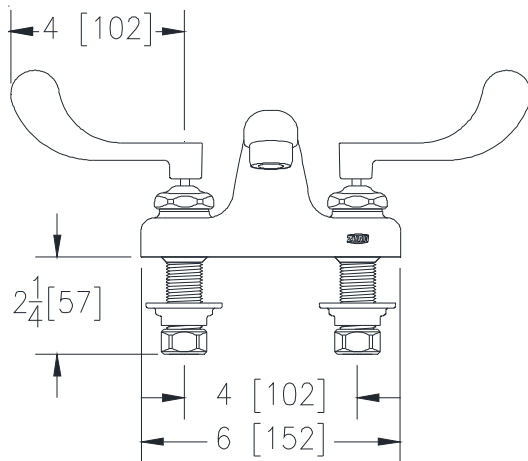
### Engineering Specification: Zurn AquaSpec® Z81104-XL

Polished chrome-plated cast brass faucet body with integral shanks, quarter turn ceramic disc cartridges and a 4" [102mm] long integral cast spout. Unit is furnished with a 2.2 GPM [8.3 L] pressure compensating aerator (complying with ANSI A112.18.1 Standard for flow), 4" [102mm] vandal-resistant color-coded metal wrist blade handles, mounting hardware and 1/2" NPSM coupling nuts for standard lavatory risers.

Zurn Lead Free products (-XL) is the line of durable, high quality brass faucets and fixtures that are designed and manufactured to comply with Section 1417 of the Safe Drinking Water Act (SDWA) which mandates the weighted average lead content of no more than 0.25% of the wetted surface.



\* This product should be used with a WaterSense labeled counterpart with a compatible flush volume to ensure that the entire system meets the requirements for water efficiency and performance.



### OPTIONAL ACCESSORIES

Note: All dimensions are for reference only. Do not use for pre-plumbing

Suffix	Description
□-G	1-1/4" [32mm] Grid Strainer Drain
□-GH	1-1/4" [32mm] Offset Handicap Grid Drain
□-HCT	Hot/Cold Text Indexes
□-PT	1-1/4" [32mm] Cast Brass P-Trap with a 7-1/2" [191mm] Long 17-Gauge Wall Bend
□-2M	2.2 GPM [8.3 L] Vandal-Resistant Pressure Compensating Male Aerator
□-3M	0.5 GPM [1.9 L] Vandal-Resistant Pressure Compensating Male Spray Outlet
□-4M	2.2 GPM [8.3 L] Vandal-Resistant Pressure Compensating Male Laminar Flow
□-7M*	1.0 GPM [3.8 L] Pressure Compensating Male Spray Outlet
□-16M	1.0 GPM [3.8 L] Vandal-Resistant Pressure Compensating Male Spray Outlet
□-17M*	1.5 GPM [5.7 L] Vandal-Resistant Pressure Compensating Male Aerator
□-18M*	1.5 GPM [5.7 L] Vandal-Resistant Pressure Compensating Male Laminar Flow
□-19M*	1.5 GPM [5.7 L] Anti-Microbial Pressure Compensating Male Laminar Flow Outlet
□-21M	1.0 GPM [3.8L] Pressure Compensating Male Laminar Flow Outlet
□-22M	1.0 GPM [3.8L] Vandal-Resistant Pressure Compensating Male Laminar Flow Outlet
□-23M	1.5 GPM [5.7L] Pressure Compensating Male Aerator
□-24M	0.35 GPM [1.3 L] Pressure Compensating Male Spray Outlet
□-25M	0.35 GPM [1.3 L] Vandal-Resistant Pressure Compensating Male Spray Outlet
□-27M	0.5 GPM [1.9 L] Vandal-Resistant Pressure Compensating Male Laminar Flow Outlet

ZURN INDUSTRIES, LLC. ♦ COMMERCIAL BRASS OPERATION ♦ 5900 ELWIN BUCHANAN DRIVE ♦ SANFORD NC 27330

Phone: 1-800-997-3876 ♦ Fax: 919-775-3541 ♦ World Wide Web: www.zurn.com

In Canada: ZURN INDUSTRIES LIMITED ♦ 7900 Goreway Drive Unit 10 ♦ Brampton, Ontario L6T5W6 ♦ Phone: 905-405-8272 Fax: 905-405-1292