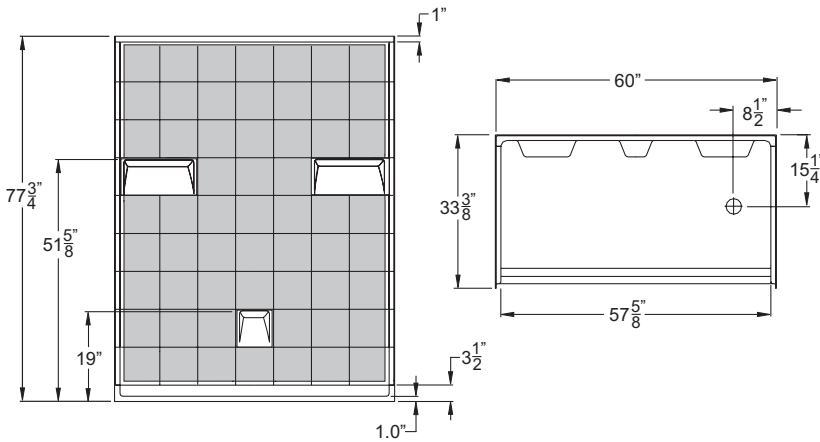
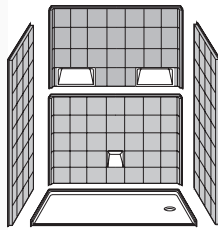
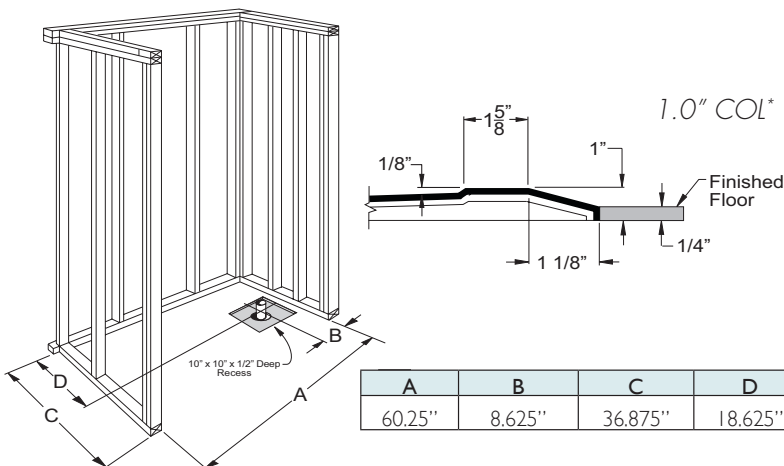


Multi-piece Showers

MP 6036 BF 5P 1.0 L/R



gray shading represents wood backing



A	B	C	D
60.25"	8.625"	36.875"	18.625"



Barrier Free
Threshold



Gelcoat
Finish

OUTER DIMENSION	60" x 36.875" x 78.125"
ENCLOSURE (up to)	57.5" x 72.75"
THRESHOLD	1.0" COL*
DRAIN	Left or Right
HANDED	Drain
SHIPPING WEIGHT	452
LOAD FACTOR	2.4
TRUCK LOAD FACTOR	0.82

NOTES

*COL Change of level threshold has a manageable 0.25" vertical rise to easily coordinate with minimum finished flooring.

CODES IPC, UPC, ANSI Z 124.2 NAHB, HUD and FHA.

EasyBase™ Self-supporting and pre-levelled shower base, EasyBase™, is standard on all barrier free multi-piece showers. EasyBase™ is not offered on EasyStep™ models.

WOOD BACKING All multi-piece showers are offered standard with plywood reinforced walls.

RAPID SHIP All multi-piece showers are in stock for rapid shipment - ships in four business days.

WARRANTY All multi-piece showers are offered with an unprecedented thirty year limited warranty.



Empowering People Of All Ages & Abilities
The Praxis Companies, LLC | Praxis Makes Perfect
800.443.7269 | praxiscompanies.com