



OAK HILL[®]

PERSONAL SHOWER SET WITH HAND SHOWER



- The Oak Hill Personal Hand Shower Set from DXV combines the charm and lasting appeal of the traditional farmhouse aesthetic with the comforts required in today's bathroom
- 5 ft. (1.5 m) decorative metal hose
- 5-function hand shower
- Wall elbow
- 24" adjustable slide bar with bracket and metal hose
- Maximum hand shower flow rate: 1.8 gpm (6.8 L/min)
- Includes double check valves

CODES AND STANDARDS

Meets or Exceeds ASME A112.18.1/CSA B125.1

EPA WaterSense[®] Certified

CEC and CALGreen^{MC} Compliant

DESCRIPTION

Personal Shower Set
with Hand Shower

PRODUCT NUMBER

D35155780.XXX

AVAILABLE FINISHES

Polished Chrome
Brushed Nickel
Platinum Nickel
Satin Nickel

FINISH CODE

100
144
150
427



Polished
Chrome



Brushed
Nickel



Platinum
Nickel



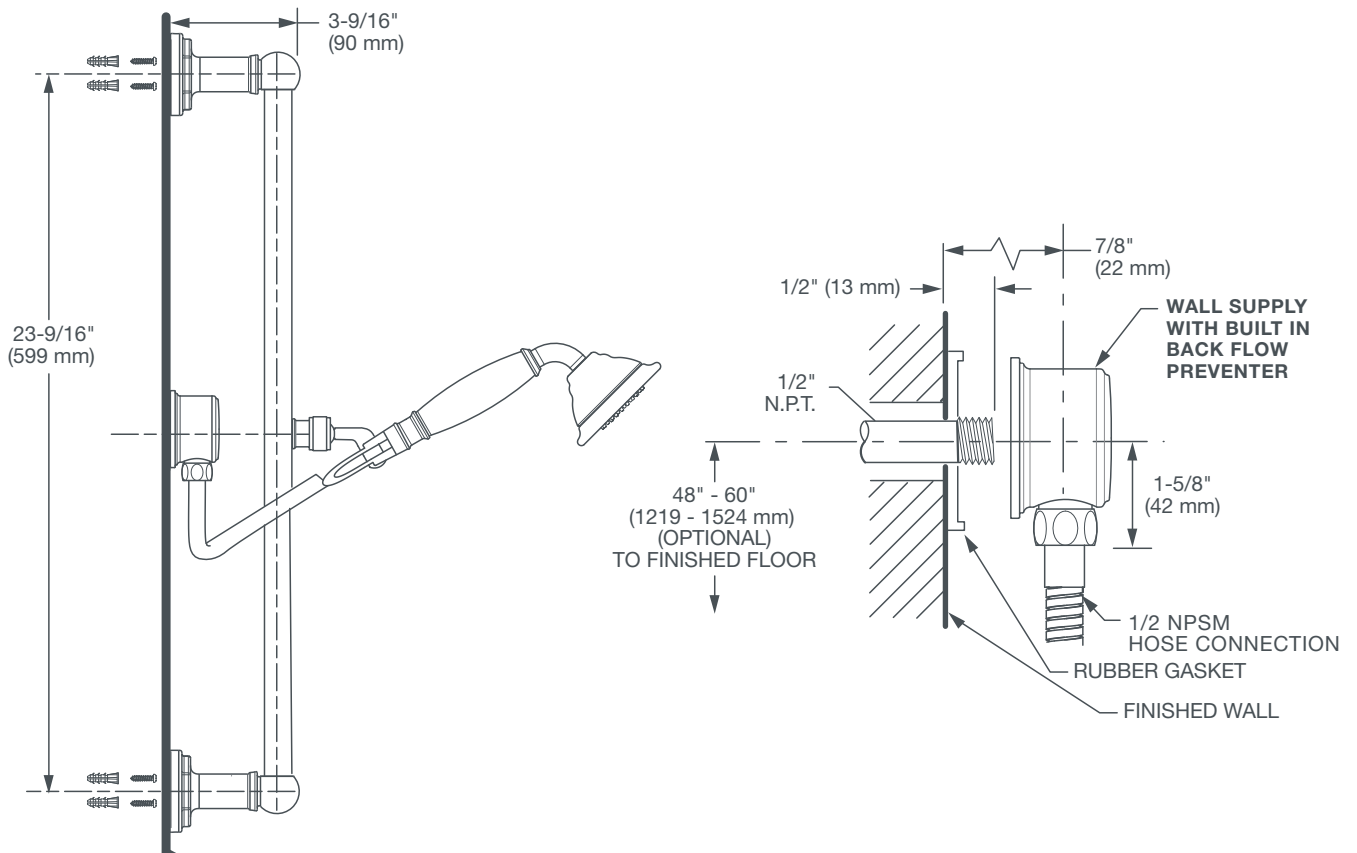
Satin
Brass

ROUGH-IN DIAGRAM
SHOWN ON NEXT PAGE



OAK HILL[®]

PERSONAL SHOWER SET WITH HAND SHOWER



IMPORTANT: These measurements are subject to change or cancellation. No responsibility is assumed for use of superseded or voided pages.

PART OF LIXIL