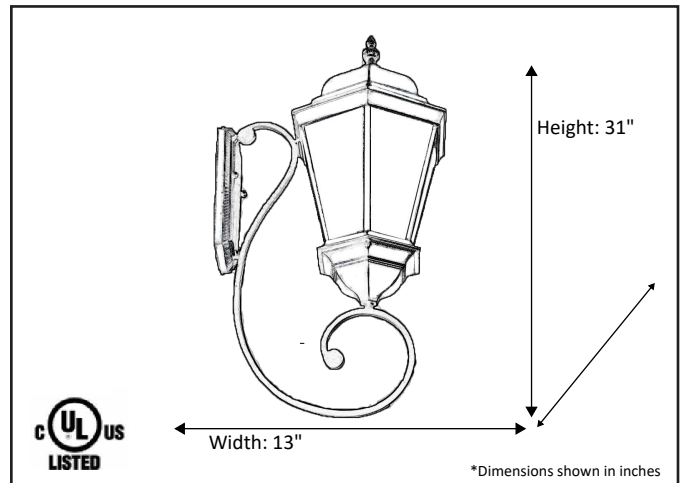


Model #	CL-477-MB
SKU	19431
Description	Large Coach Light
Finish	Matte Black
Glass	Clear Seeded
Dimensions- HxW (Dimensions shown in inches)	31" x 13"
Lamp Info	1X60W (M)

Finish/Glass Shown: Matte Black/Clear Seeded



\*Lamps not included



**ELECTRICAL REQUIREMENTS:** Fixture requires a grounded electrical supply line of 120 volts AC.

**INSTALLATION REQUIREMENTS:** Fixture attaches to electrical junction box securely anchored in wall or ceiling.  
**All mounting hardware included.**

HOMEnhancements/ 1505-A Kelly Blvd., Carrollton, TX. 75006

*Product specifications subject to change without notice.*

REFERENCE	QTY.	REMARKS	Project
			Location/Type
			Architect
			Engineer
			Contractor
			Submitted By: <span style="float: right;">Date:</span>