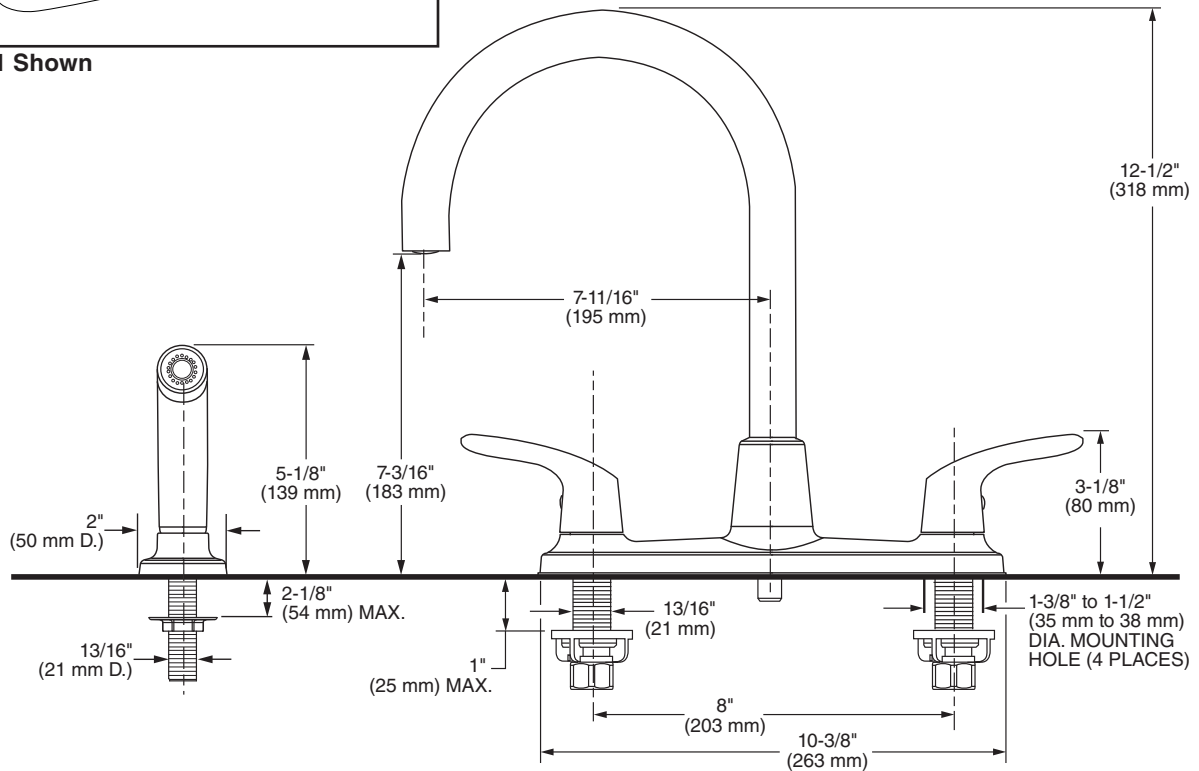


7074.551 Shown

MODEL NUMBER:

- ☐ **7074.550 Kitchen Faucet**
Lever handles. Less handspray.
- ☐ **7074.551 Kitchen Faucet**
Lever handles. Separate color-matched side-spray.



GENERAL DESCRIPTION:

Durable metal construction. 1/4 turn washerless ceramic disc valve cartridges with one-half inch male inlet shanks. High-arc brass swivel spout and metal lever handles. Color-matched side spray. 1.0 gpm/3.8 L/min. maximum flow rate.

PRODUCT FEATURES:

- Ceramic Disc Valve Cartridge:** Assures a lifetime of drip-free performance.
- Lead Free:** Faucet contains ≤ 0.25% total lead content by weighted average.
- Simple Installation:** Fast and easy one person installation. Faucet drops in from top. Quick spin nuts secure faucet in place.



ADA COMPLIANT

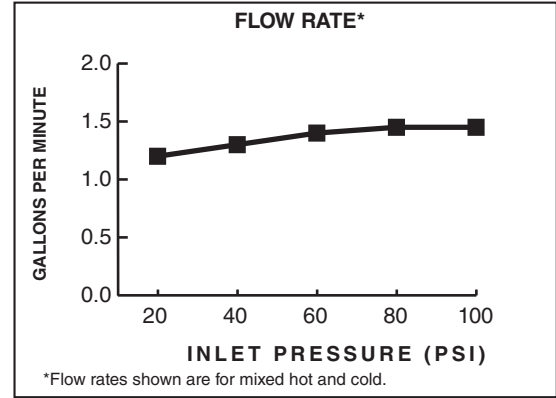
SUGGESTED SPECIFICATION

Two handle kitchen faucet shall feature metal construction with one-half inch male inlet shanks and high-arc brass swivel spout. Shall also feature 1/4 turn washerless ceramic disc valve cartridges. Faucet shall be American Standard Model #7074.55____.

CODES AND STANDARDS

These products meet or exceed the following codes and standards:

- ANSI A117.1**
- ASME A112.18.1**
- CSA B125.1**
- NSF 61/Section 9**
- NSF 372**



1.5 gpm/5.7 L/min. FLOW RATE

Product Number	Description	Finish Options
		Polished Chrome
		002
7074.550	Kitchen faucet. Lever handles. LESS handspray.	
7074.551	Kitchen faucet. Lever handles. Separate color-matched side-spray.	

 Meets the American Disabilities Act Guidelines and **ANSI A117.1** Requirements for the physically challenged.