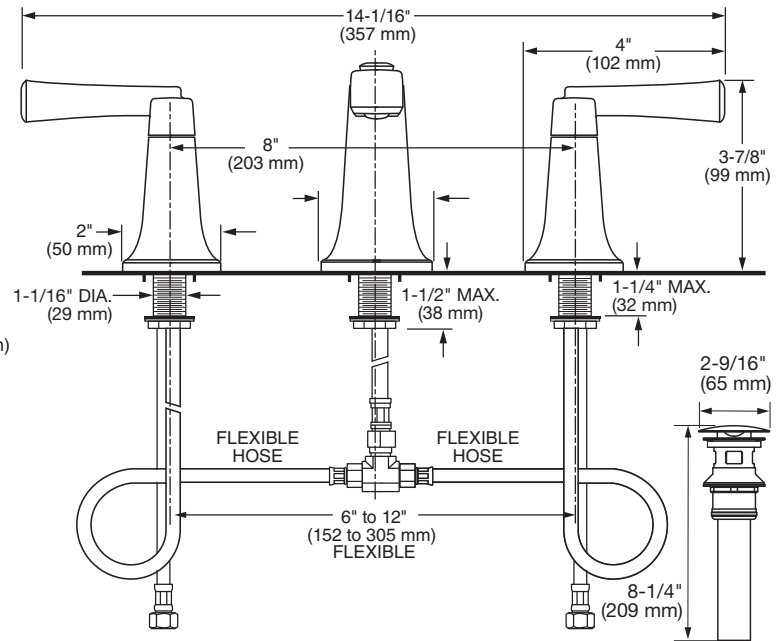
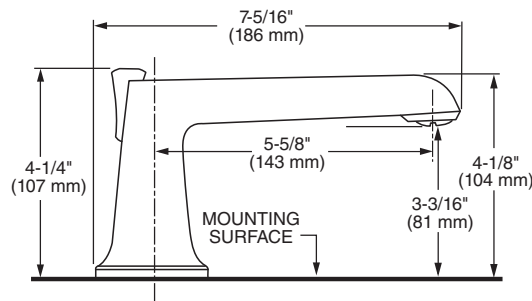


MODEL NUMBER:

□ **7353841 Townsend Widespread**
Brass push pop-up drain. Metal lever handles.



GENERAL DESCRIPTION:

Cast brass valve bodies with flexible hose connections for 6" to 12" (152 mm to 305 mm) installations. 1/4 turn washerless ceramic disc valve cartridges. Cast brass spout. Metal inlet shanks and 24" nylon braided flexible supply hoses with 3/8" compression connectors. Brass push pop-up drain. 1.2 gpm/4.5 L/min. maximum flow rate.

PRODUCT FEATURES:

Brass Construction: Durable. Ideal for prolonged contact with water. Provides the finest surface for application of all finishes.

Ceramic Disc Valve Cartridge: Assures a lifetime of smooth handle operation and drip-free performance.

Exclusive Brass push pop-up drain:

- Brass push pop-up drain.
- Fewer parts. Installs in less time.

Lead Free: Faucet contains ≤ 0.25% total lead content by weighted average.

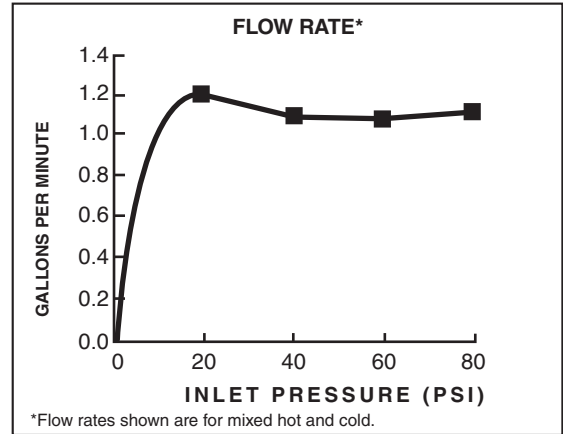
SUGGESTED SPECIFICATION

Two-handle widespread lavatory faucet shall feature cast brass valve bodies with flexible hose connections for 6" to 12" installations. Shall also feature 1/4 turn washerless ceramic disc valve cartridges. Shall feature a brass push pop-up drain. Shall also feature a metal drain body with stainless steel cable actuation. Fitting shall be American Standard Model #7353841._____.

CODES AND STANDARDS

These products meet or exceed the following codes and standards:

- ASME A112.18.1**
- CSA B125.1**
- NSF/ANSI/CAN 61: Q<1**
- NSF/ANSI/CAN 372**
- ANSI A117.1**



Product Number	Description	ADA	Finish Options					
			Polished Chrome	Polished Nickel	Legacy Bronze	Brushed Nickel	Matte Black	Brushed Cool Sunrise
			002	013	278	295	243	GN0
7353841	Townsend Widespread with Brass push pop-up drain. Metal lever handles.	ADA	✓	✓	✓	✓	✓	✓

ADA Meets the American Disabilities Act Guidelines and **ANSI A117.1** Requirements for the physically challenged.