

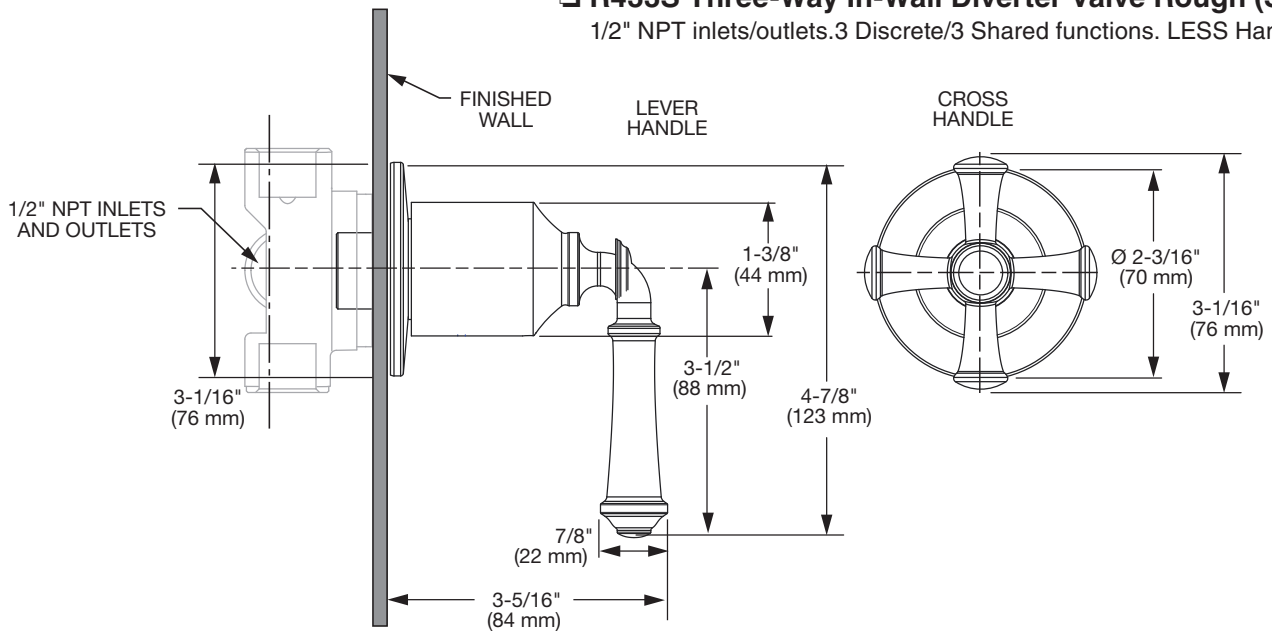
MODEL NUMBER:

TRIM KIT:

- T052430 Diverter Valve Trim Lever Handle**
Valve trim ONLY. LESS Valve.
- T052432 Diverter Valve Trim Cross Handle**
Valve trim ONLY. LESS Valve.

ROUGH VALVES BODIES:

- R422 Two-Way In-Wall Diverter Valve Rough (Discrete)**
1/2" NPT inlets/outlets. 2 Discrete functions. LESS Handle.
- R422S Two-Way In-Wall Diverter Valve Rough (Shared)**
1/2" NPT inlets/outlets. 2 Discrete/1 Shared functions. LESS Handle.
- R433 Three-Way In-Wall Diverter Valve Rough (Discrete)**
1/2" NPT inlets/outlets. 3 Discrete functions. LESS Handle.
- R433S Three-Way In-Wall Diverter Valve Rough (Shared)**
1/2" NPT inlets/outlets. 3 Discrete/3 Shared functions. LESS Handle.



GENERAL DESCRIPTION:

In-Wall Diverter: Rotational control alternates water flow between two (R422/R422S) or three (R433/R433S) different shower outlets (i.e. showerhead, handspray, body side spray or tub spout). Stamped brass escutcheon. Zinc handle, Brass valve adapter.

NOTE: Cannot be used as a shut-off valve.

PRODUCT FEATURES:

Shower Trim Material: Highest quality faucet material for durability and long life.

Flexible Installation: Up to 1" rough in adjustability allow less error during installation.



ADA COMPLIANT

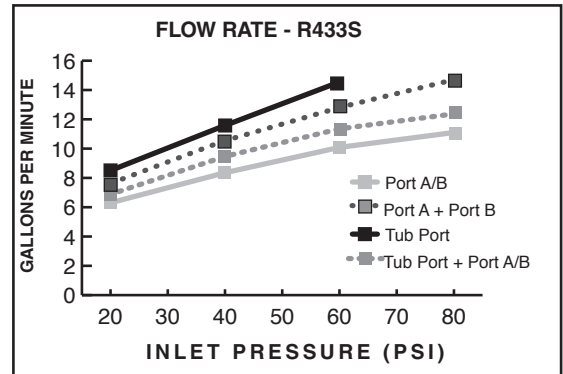
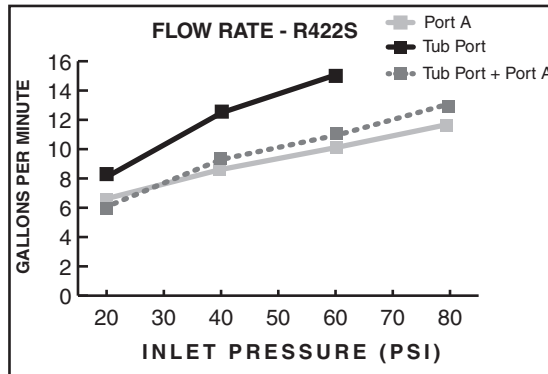
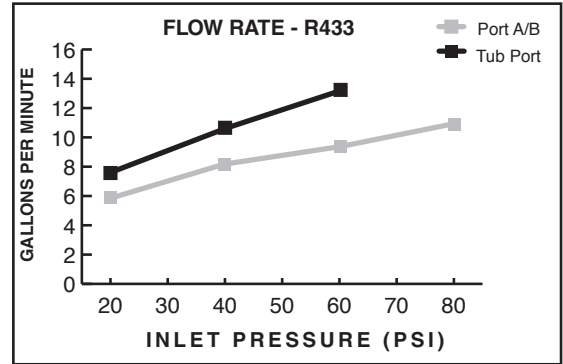
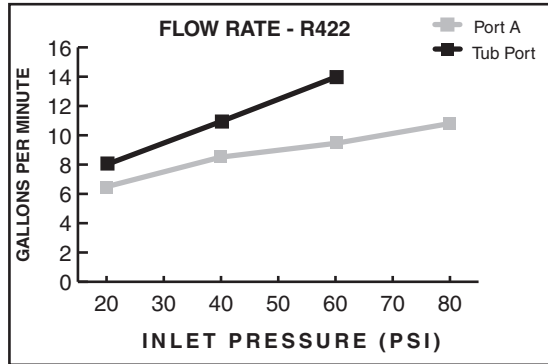
SUGGESTED SPECIFICATION

Two (three) way diverter shall feature metal construction with up to 1" rough in installation flexibility. Fitting shall be American Standard Model # T05243_._._ (Diverter Valve Trim) and R4_._._ (Rough Valve Body).

CODES AND STANDARDS

These products meet or exceed the following codes and standards:

ASME A112.18.1
CSA B125.1



TRIM KITS *	Product Number	Description	* TRIM & ROUGH MUST BE ORDERED SEPARATELY.	Finish Options				
				Polished Chrome	Brushed Nickel	Polished Nickel	Legacy Bronze	Brushed Cool Sunrise
				002	295	013	278	GN0
T052430	Diverter Valve Trim Lever Handle. LESS valve.	ADA	✓	✓	✓	✓	✓	
T052432	Diverter Valve Trim Cross Handle. LESS valve.	ADA	✓	✓	✓	✓		

ROUGH VALVE BODIES	Product Number	Description
	R422*	Two-Way In-Wall Diverter. 2 Discrete functions. LESS handle.
	R422S*	Two-Way In-Wall Diverter. 2 Discrete/1 Shared functions. LESS handle.
	R433*	Three-Way In-Wall Diverter. 3 Discrete functions. LESS handle.
	R433S*	Three-Way In-Wall Diverter. 3 Discrete/3 Shared functions. LESS handle.

ADA Meets the American Disabilities Act Guidelines and ANSI A117.1 Requirements for the physically challenged.