

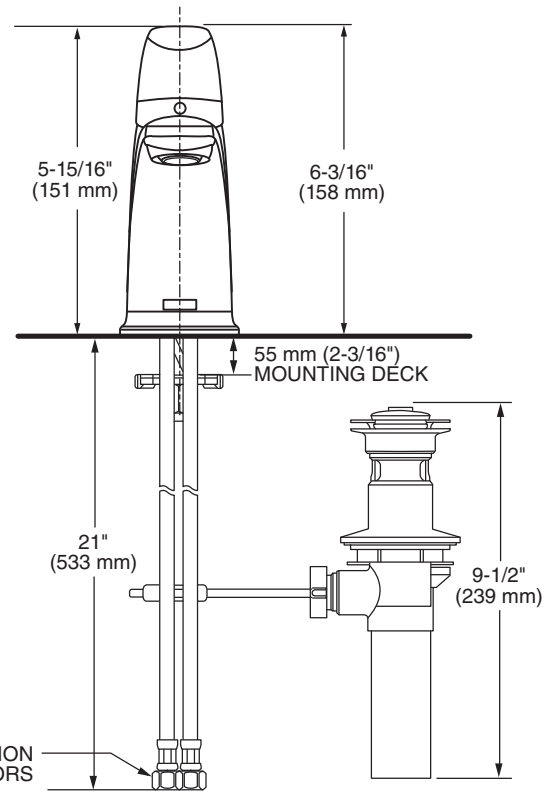
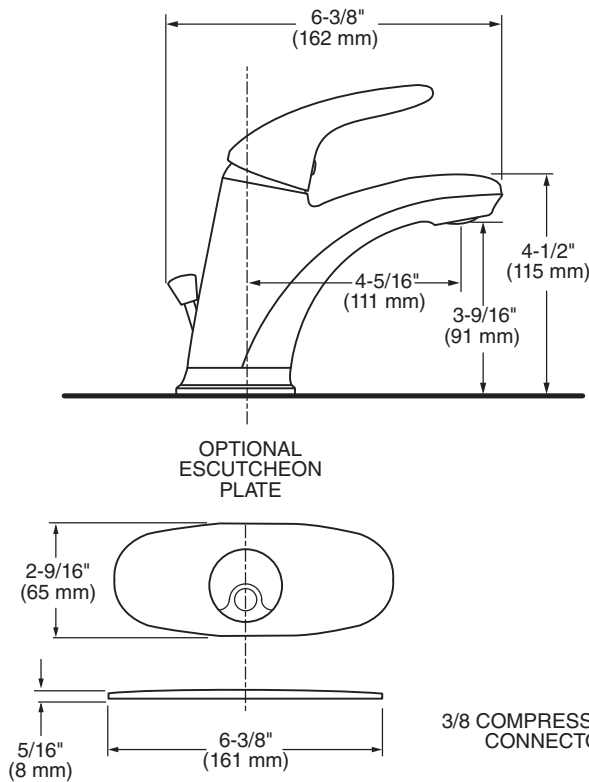
7075.100 Shown

MODEL NUMBER:

- 7075.100 Single Control Lavatory**
Metal lever handle. Metal pop-up drain.
- 7075.102 Single Control Lavatory**
Metal lever handle. 50/50 Pop-up drain.
- 7075.104 Single Control Lavatory**
Metal lever handle. LESS drain.
LESS pop-up rod & hole.

AVAILABLE ACCESSORY:

- 2000.102P Escutcheon Plate Only**



GENERAL DESCRIPTION:

Metal body. Washerless 35 mm ceramic disc valve cartridge with integral hot limit safety stop. 24" color-coded braided flexible supply hoses with 3/8" compression connectors. 1.2 gpm/4.5 L/min. maximum flow rate. Fitting can be mounted on 4" centers using optional escutcheon (2000.102P) or single hole mounting method.

PRODUCT FEATURES:

Ceramic Disc Valve Cartridge: Assures a lifetime of smooth handle operation and drip-free performance.

Adjustable Hot Limit Safety Stop: Limits the amount of hot water allowed to mix with cold. Reduces the risk of accidental scalding.

Lead Free: Faucet contains ≤ 0.25% total lead content by weighted average.



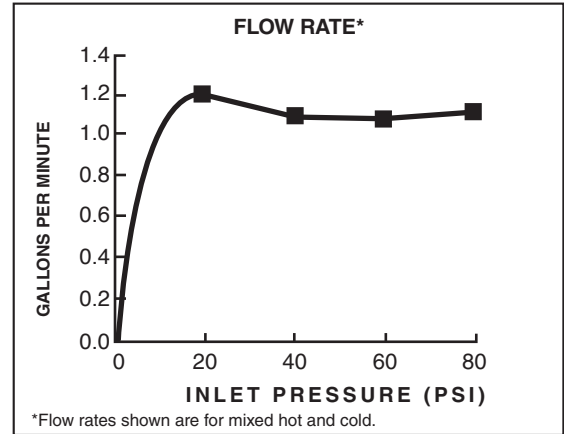
SUGGESTED SPECIFICATION

Single control lavatory faucet shall feature a metal body and metal lever handle. Shall also feature washerless ceramic disc valve cartridge with integrated hot limit safety stop. Fitting shall be American Standard Model # 7075.

CODES AND STANDARDS

These products meet or exceed the following codes and standards:

- ANSI A117.1**
- ASME A112.18.1**
- CSA B125.1**
- NSF 61/Section 9**
- NSF 372**



Product Number	Description		Finish Options		
			Polished Chrome	Legacy Bronze	PVD Brushed Nickel
			002	278	295
7075.100	Colony PRO Single Control Lavatory Faucet. Metal lever handle. Metal pop-up drain.	ADA			
7075.102	Colony PRO Single Control Lavatory Faucet. Metal lever handle. 50/50 Pop-up drain.	ADA			
7075104	Colony PRO Single Control Lavatory Faucet. Metal lever handle. LESS drain. LESS pop-up rod & hole.	ADA			
7075.102P	Optional Escutcheon Plate Only (For mounting on 4" centers)				

 Meets the American Disabilities Act Guidelines and **ANSI A117.1** Requirements for the physically challenged.