

Single Gang In-Use Covers

7 in 1 Metal In-Use Cover

Features

- Low profile multi height metal extra duty in-use cover
- Impact rated, withstands today's destructive forces
- Reinforced hinge withstands 40 lbs.stress test
- Lockable to prevent accidental disconnects
- Patent snap in adapters enables tool free installation
- Swing bar up or down for patent multi height position
- Expands out to 3-1/2" to gain extra clearance and accommodate internal cords
- Sleek industrial design
- Easy to open
- Extra large cord opening for heavy gauge cords

Applications

- UL listed for wet locations
- Extra duty metal in use covers are designed for use whenever weatherproof protection is required while an outlet is in use
- Provides superior protection for industrial, commercial and residential electrical receptacles

Standard Material

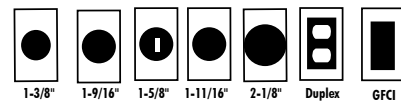
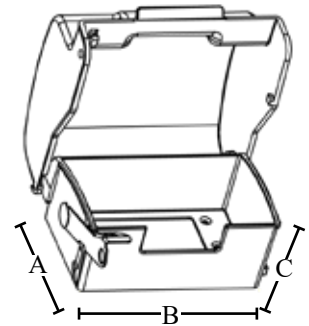
- Copper free aluminum

Standard Finish

- Premium powder coat finish



UL® Listed and 2011 NEC® and NEMA® 3R Compliant
 Meets and exceeds extra duty per 2011 NEC article 406.9.(B);
 UL 514D and CSA C22.2 No. 42.1-00
 NEMA 3R Rating Compliant;
 UL standard 514D, cULus Listed: E254321;
 Fed. Spec. A-A-50563
 NEMA FB 1



Catalog Number	UPC	Opening	Ship Case	Weight/Case	Inches		
					A	B	C
WCiU1VM	86853	2.75-3.50	10	11	4.61	3.07	2.39
WCiU1HM	86854	2.75-3.50	10	11	2.83	4.61	2.39