

EMT Raintight Connectors

Compression Type - Steel

Features

- Compression type connectors
- Concrete tight and raintight
- Assembled with a steel locknut & gasket
- Also available with insulated throat

Applications

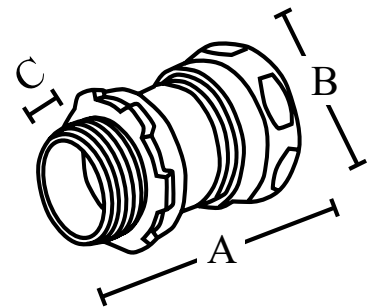
- Use to join EMT to box or enclosure

Standard Material

- Steel

Standard Finish

- Zinc plated



Catalog Number	UPC	Size	Unit Carton	Ship Case	Weight/Case	Inches		
						A	B	C
651SRT	83059	1/2"	25	250	30	.689	.50	1.125
652SRT	83060	3/4"	25	250	43	.75	.50	1.375
653SRT	83061	1"	10	100	25	.846	.562	1.687
654SRT	83062	1-1/4"	---	25	12	1.687	1.012	2.062
655SRT	83063	1-1/2"	---	20	12	1.717	1.062	2.25
656SRT	83064	2"	---	15	15	1.875	1.125	2.75
657SRT	83598	2-1/2"	---	12	19	1.968	1.562	3.625
658SRT	83599	3"	---	12	15	2.689	1.562	4.25
659SRT	83658	3-1/2"	---	5	16	2.812	1.812	4.687
660SRT	83659	4"	---	3	21	2.812	1.812	5.187