

# 90° Liquidtight Connectors with Insulated Throat - Malleable Iron

## Features

- Liquidtight, raintight, oiltight
- Suitable for wet location use
- Tapered threaded male hub NPT
- Insulated throat protects conductors from abrasion damage
- Compact slim diameter with small turning radius
- Zinc electro plated for excellent durability



## Applications

- To secure, ground and seal liquidtight conduit to a box or enclosure
- UL listed liquidtight flexible metal conduit fittings are suitable for use in the following hazardous locations under: NEC 501-4(b), 502-4(a), (2)503-3(a) Class 1 Div.2, Class II Div.1 and 2, Class III Div.1 and 2 and are suitable for grounding in sizes 3/8" through 1-1/2" under NEC 351-1

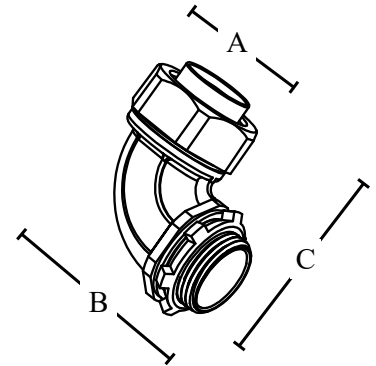


## Standard Material

- Malleable iron
- Steel locknut

## Standard Finish

- Zinc plated



Catalog Number	UPC	Conduit Size	Unit Carton	Ship Case	Weight/Case	Inches		
						A	B	C
<b>490S</b>	14790	<b>3/8" 1/2" KO</b>	10	100	26	1.18	1.96	2.47
<b>491S</b>	14800	<b>1/2"</b>	10	100	28	1.36	2.10	2.54
<b>492S</b>	14810	<b>3/4"</b>	10	100	41	1.61	2.45	2.82
<b>493S</b>	14820	<b>1"</b>	5	50	31	1.89	2.83	3.08
<b>494S</b>	33690	<b>1-1/4"</b>	2	20	20	2.39	3.15	3.53
<b>495S</b>	33700	<b>1-1/2"</b>	2	20	25	2.62	3.50	4.17
<b>496S</b>	33710	<b>2"</b>	1	10	19	3.24	4.02	4.69
<b>497S</b>	33720	<b>2-1/2"</b>	---	1	5	3.89	6.23	6.74
<b>498S</b>	33730	<b>3"</b>	---	1	7	4.74	6.91	7.52
<b>499S</b>	33731	<b>3-1/2"</b>	---	1	9	5.31	7.57	7.93
<b>500S</b>	33750	<b>4"</b>	---	1	14	5.82	8.07	8.72