

# Double Gang Boxes

## 73 in 3 Extra Duty In-Use Cover

### Features

- Includes 7 inserts
- 73 Installation combinations
- Lockable
- Includes attached gasket and mounting hardware
- Adapters included for duplex and GFCI
- Fast mounting screw attachment
- Compatible with full size padlocks
- Patent pending extra-duty hinge system

### Application

- UL listed for wet locations
- Used when an outdoor outlet requires weatherproof protection for both residential and commercial applications

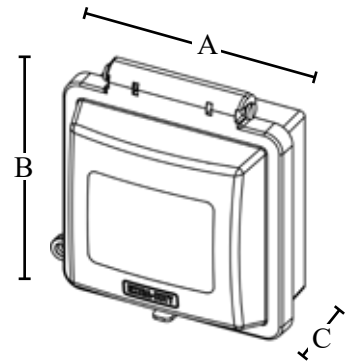
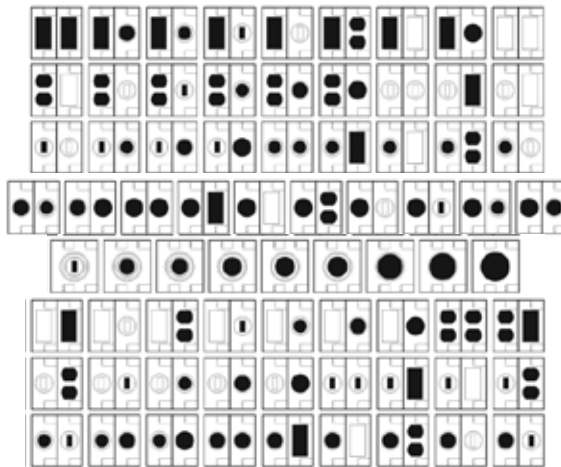
### Standard Material

- High impact polycarbonate



NEC 2014 compliant  
[article 406.9 (A) & (B)(1) "extra duty"]  
cULus-5FX8  
NEMA 3R Rated

Multiple combinations of Duplex, GFCI, Decorator, Blank toggle, Large toggle,  
1-1/4", 1-3/8", 1-9/16", 1-5/8", 1-11/16", 2-1/8", 2-1/4", 2-7/16"



Catalog Number	UPC	Ship Case	Weight/Case	Inches		C Depth
				A	B	
WCIU2SD	87319	6	35	6	6	3.1