

Low Profile Saddle Bite Connector

Features

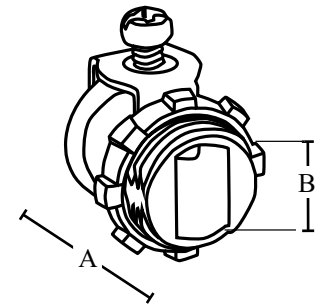
- UL listed for use with MC, AC, FMC, RWFMC, MCI and MCI-A cables
- Tri-combo screw head

Applications

- Dry location use only
- Use to connect steel or aluminum FMC, AC, MC cables and aluminum MCC and MCI-A cable to box or enclosure

Standard Material

- Zinc
- Zinc plated steel strap



Catalog Number	UPC	Size	KO	Unit Carton	Ship Case	Weight/Case	Inches	
							A	B (Min.-Max.)
170LP	86894	3/8"	1/2"	25	250	28	.935	.40-.50

APPROVED WIRES	
Armored Cable, Steel	14/2 – 10/4
Armored Cable, Aluminum	14/2 – 10/4
Metal Clad Cable, MCI, Steel	14/2 – 10/4
Metal Clad Cable, MCI, Aluminum	14/2 – 10/4
Metal Clad Cable, MCI-A, Aluminum	14/2 – 10/4
Metal Clad Cable, MCC Aluminum	14/2
FMC/RWFMC, Steel	3/8
FMC/RWFMC, Aluminum	3/8