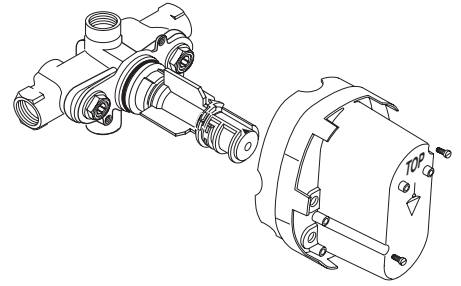


CERATHERM
ROUGH VALVE KIT
CENTRAL THERMOSTAT
LESS VOLUME CONTROL



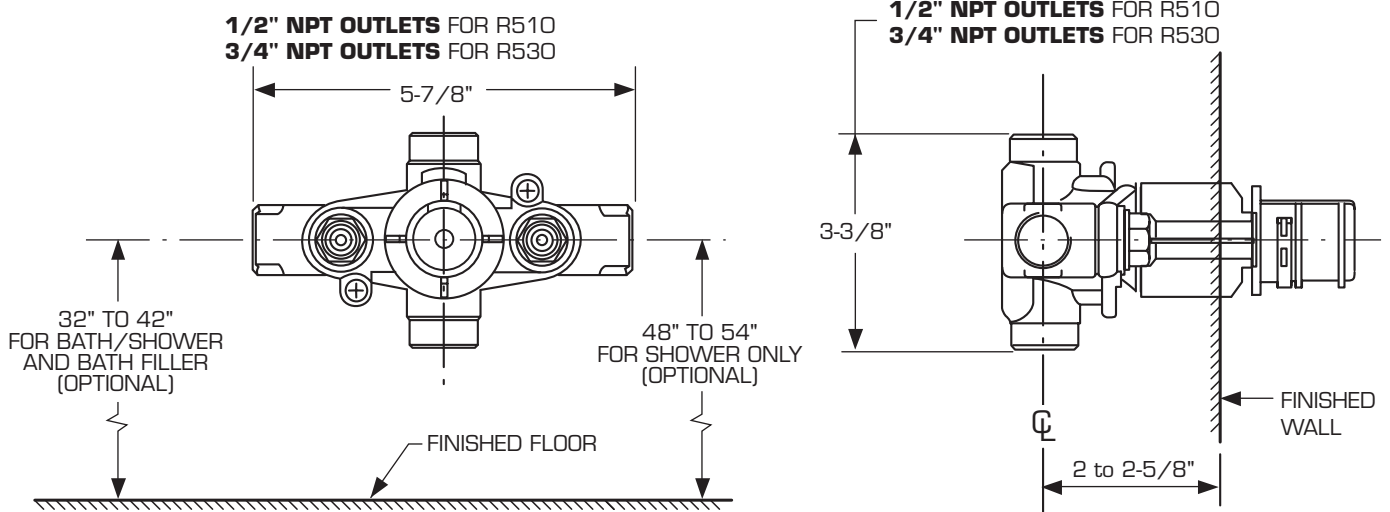
Thank you for selecting American-Standard...the benchmark of fine quality for over 100 years.

Certified to comply with ANSI A112.18.1 ASSE 1016

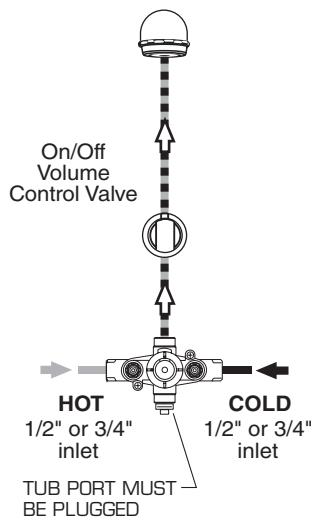
To ensure that your installation proceeds smoothly—please read these instructions carefully before you begin.

M968256 REV.1.4 (12/14)

ROUGHING-IN DIMENSIONS



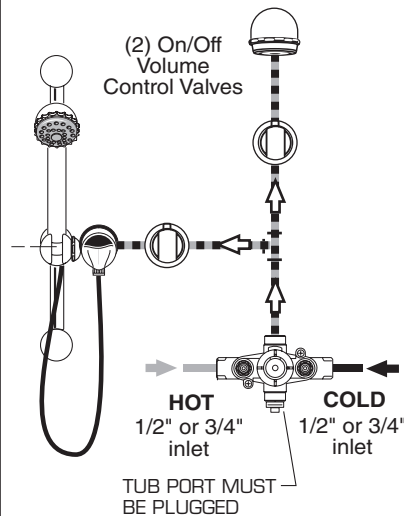
THERMOSTATIC SHOWER INSTALLATION USING ONE ON/OFF VALVE AND FIXED SHOWER



INLET AND OUTLET CONNECTIONS ARE 1/2" NPT FOR R510

INLET AND OUTLET CONNECTIONS ARE 3/4" NPT FOR R530

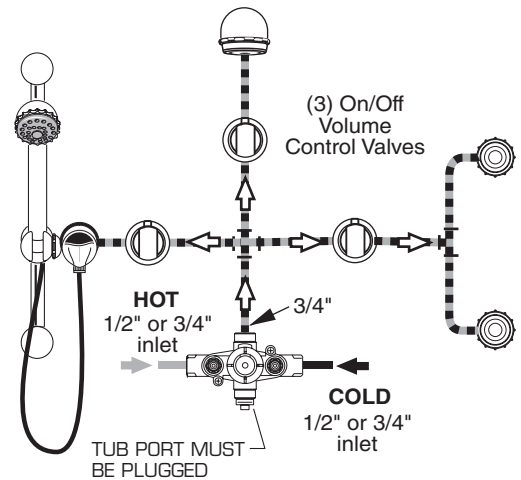
THERMOSTATIC SHOWER INSTALLATION USING TWO ON/OFF VALVES, FIXED SHOWER AND ADJUSTABLE HAND HELD SHOWER



INLET AND OUTLET CONNECTIONS ARE 1/2" NPT FOR R510

INLET AND OUTLET CONNECTIONS ARE 3/4" NPT FOR R530

THERMOSTATIC SHOWER INSTALLATION USING THREE ON/OFF VALVES, FIXED SHOWER, ADJUSTABLE HAND HELD SHOWER AND TWO BODY SPRAYS



INLET AND OUTLET CONNECTIONS ARE 1/2" NPT FOR R510
INLET AND OUTLET CONNECTIONS ARE 3/4" NPT FOR R530

**NOTE: TO OPERATE ALL FOUR OUTLETS AT THE SAME TIME THE MINIMUM REQUIREMENTS ARE:
FLOWING PRESSURE OF 40 PSI WITH R510
FLOWING PRESSURE OF 20 PSI WITH R530**

1 ROUGHING-IN THE VALVE

CAUTION

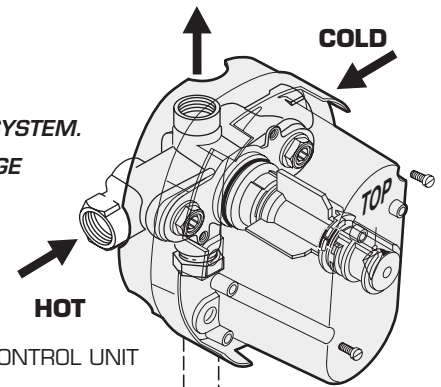
Turn off hot and cold water supplies before beginning.

- Prepare water supplies per ROUGHING-IN DIMENSIONS. Make sure the finished wall is between the minimum 1-11/16" and maximum 2-1/2" rough dimension.
- Install VALVE (1) at indicated height and depth. Make sure the "TOP" marking on the PLASTER GUARD (2) is up. For support, use pipe BRACES (3) secured to wooden braces.
- Connect the hot and cold water supplies. Assemble all connecting pipes. Flush lines to remove any dirt. Connections are 1/2" NPT or 3/4" NPT.
- **IMPORTANT! INSTALL ANY REQUIRED SHUT OFF OR DIVERTER VALVE INTO THE PIPING SYSTEM.**

WARNING

DO NOT SOLDER DIRECTLY TO THE VALVE BODY (1); THIS WILL DAMAGE THE TEMPERATURE CONTROL ELEMENT AND CHECK STOP VALVES.

- If the CHECK STOPS (4, 5) were removed during installation, ensure the hot and cold CHECK STOPS (4, 5) are not reversed. The hot CHECK STOP (4) has a red top and the cold CHECK STOP (5) has a blue top.
- CHECK STOPS (4,5) are supplied in the open position. Closing using 5/32" (4 mm) hex wrench to pressure test and to check for leaks.
- To flush lines, remove the CHECK STOPS (4,5) and run water. If desired, the TEMPERATURE CONTROL UNIT can be removed. Reinstall CHECK STOPS (4,5) and CONTROL UNIT (6), if it was removed.
- Remove PLASTER GUARD (2) if still installed. Turn on water supplies and check for leaks.
- Reassemble PLASTER GUARD (2) and FINISH WALL.
- **Beware of Freezing.** No water should remain in the MIXING VALVE if freezing is a possibility. Remove the CHECK STOPS (4,5) to completely drain the MIXER UNIT (1).



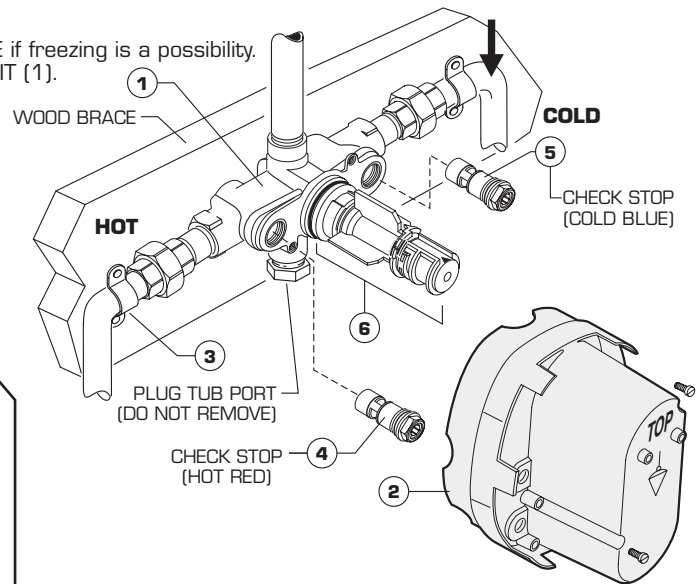
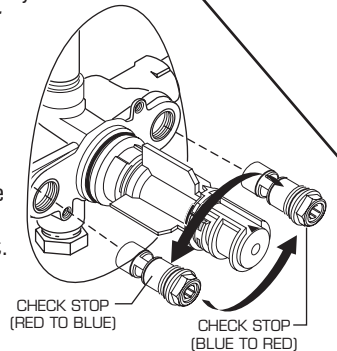
2 TRANSPOSED SUPPLY PIPING OR BACK TO BACK INSTALLATION

- Should the hot and cold water supply pipes have been transposed making adjustment impossible, proceed as follows:

- Shut off water supply.
- Remove handle and rim
- Remove check stops and re-install them transposer

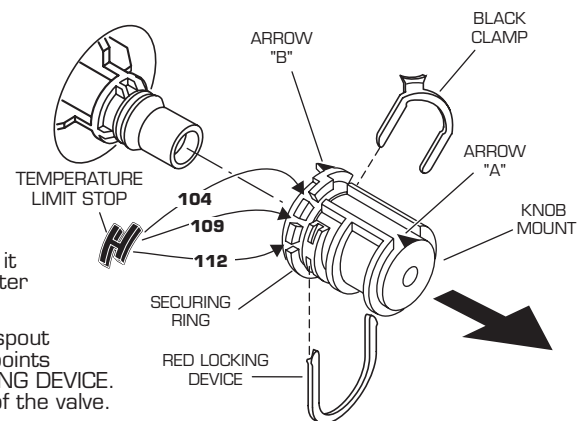
- Important note: RED CHECK STOP is now on the right of the mixer body and the BLUE CHECK STOP is now on the left.

- Turn the water supply back on and perform the temperature adjustment in step 3.



3 TEMPERATURE CALIBRATION

- Unscrew PLASTER GUARD SCREWS and remove PLASTER GUARD.
- Check that arrow marking B points vertically upwards. If not, push the BLACK CLAMP on the SECURING RING to the right, pull off KNOB MOUNT and reinstall KNOB MOUNT with arrow "B" pointing upwards.
- The maximum mixed water temperature is set at 109 F at the factory. This setting can be changed if desired.
- Remove the TEMPERATURE LIMIT STOP (H shaped Black Plastic part). Reinstall it at the desired notch as indicated in the diagram to limit the maximum mixed water temperature to 104 F or 112 F.
- For 100 F adjustment, turn the water supply on. Turn KNOB MOUNT until the spout temperature is 100 F. Check that arrow marking A on the KNOB MOUNT still points upward after adjusting the thermostat to 100 F. If not, pull out the RED LOCKING DEVICE. Remove KNOB MOUNT by pulling it towards you while standing directly in front of the valve.
- Reinstall the KNOB MOUNT so that the arrow marking A points upwards. Reinstall RED LOCKING DEVICE.



4 OPERATING PROCEDURE

- Place temperature handle in the middle position between the extreme hot and cold positions.
- **TO PREVENT DAMAGE TO THE TEMPERATURE HANDLE ASSEMBLY, DO NOT FORCE HANDLE TO THE EXTREME HOT OR COLD POSITIONS.**
- Move volume control handle (top handle, R540 Type Rough Valves) to the "on" position and allow the water to reach temperature. This process might take up to one minute depending on the system.
- Adjust temperature handle (bottom handle, R540 Type Rough Valves) to the desired temperature position. Turn temperature handle in small increments until desired temperature is reached. To prevent damage to the temperature handle assembly, DO NOT force handle to the extreme left or right positions.
- Temperature handle should remain in last position for next use to ensure that desired, set temperature is achieved.

CENTRAL THERMOSTAT
LESS VOLUME CONTROL

MODEL NUMBERS

R510
R530

953950-0070A
CHECK STOP R510
(COLD BLUE)

A953971-0070A
CHECK STOP R530
(COLD BLUE)

A955585-0070A
THERMOSTAT CARTRIDGE
R510

954040-0070A
THERMOSTAT CARTRIDGE
R530

953963-0070A
HANDLE
EXTENSION

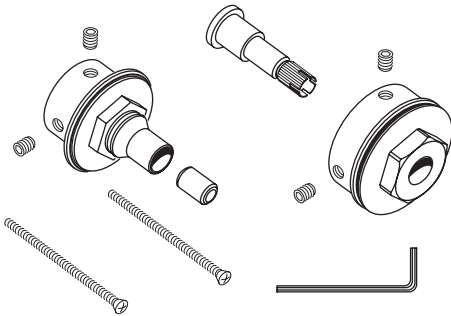
953951-0070A
CHECK STOP R510
(HOT RED)

A953972-0070A
CHECK STOP R530
(HOT RED)

912647-0070A
O-RING

953957-0070A
TEMPERATURE
CALIBRATION
UNIT

963434-0020A DEEP ROUGH KIT
SOLD SEPARATELY



HOT LINE FOR HELP
For toll-free information and answers to your questions, call:
1 (800) 442-1902
Weekdays 8:00 a.m. to 6:00 p.m. EST
IN MEXICO 01-800-839-1200
IN CANADA 1-800-387-0369 (TORONTO 1-905-306-1093)
Weekdays 8:00 a.m. to 7:00 p.m. EST

Product names listed herein are trademarks of American Standard Inc.
© AS America, Inc. 2008