



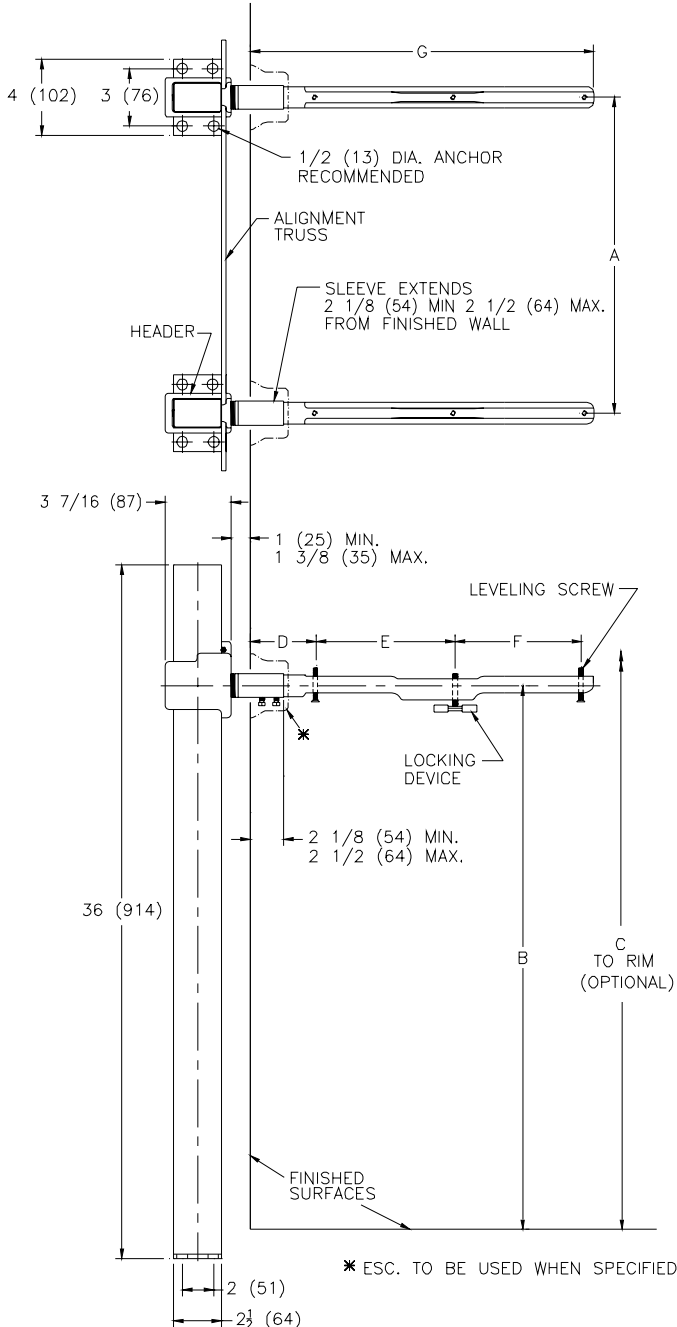
# INSTALLATION SHEET

(TYPICAL INSTALLATION SHOWN)

ARM STYLE -001

# Z1231

Dimensional Data (inches and [ mm ]) are Subject to Manufacturing Tolerances and Change Without Notice



A	B	C	D	E	F	G	ESC.
American Std. (20 x 18)							
Roxalyn 0194.076 0194.073							
16-1/2 (420)	29-1/4 (743)	31 (787)	4 (102)	7 (178)	7 (178)	18-1/2 (470)	YES
American Std. (20 x 18)							
Roxalyn 0194.043 0194.092							
16-1/2 (420)	32-1/4 (819)	34 (864)	4 (102)	7 (178)	7 (178)	18-1/2 (470)	YES
American Std. (24 x 20)							
Roxalyn 0194.134 0194.289							
20 (508)	29-1/4 (743)	31 (787)	4 (102)	7 (178)	7 (178)	18-1/2 (470)	YES
American Std. (28 x 20)							
Surgeons 9010.018 9010.042 9012.014 9013.020							
24 (610)	32-1/16 (814)	34 (864)	4 (102)	7 (178)	7 (178)	18-1/2 (470)	YES

DIMENSIONS IN ( ) ARE IN MM

## PARTS LIST

## PART NUMBER

- |     |                                      |           |
|-----|--------------------------------------|-----------|
| (2) | Header                               | 56311-001 |
| (1) | Alignment Truss (24[610])            | 28588-008 |
| (2) | Arm                                  | 02008-001 |
| (2) | Arm Sleeve (4 [102])                 | 82069-001 |
| (4) | Arm Set Screw (3/8-16 X 1/2 [13])    | 18006-071 |
| (4) | Header Set Screw (3/8-16 X 1/2 [13]) | 18006-071 |

### (1) BAG # 8:

- |     |                |           |
|-----|----------------|-----------|
| (2) | Locking Device | 30027-001 |
| (4) | Leveling Screw | 23453-042 |

- |                       |                   |             |
|-----------------------|-------------------|-------------|
| (1/4-20 X 1-3/4 [45]) |                   |             |
| (3)                   | INSTRUCTION SHEET | Form #C3-C6 |

FORM# C3 Date: 2/25/09  
C.N. No. 99739 REV. E