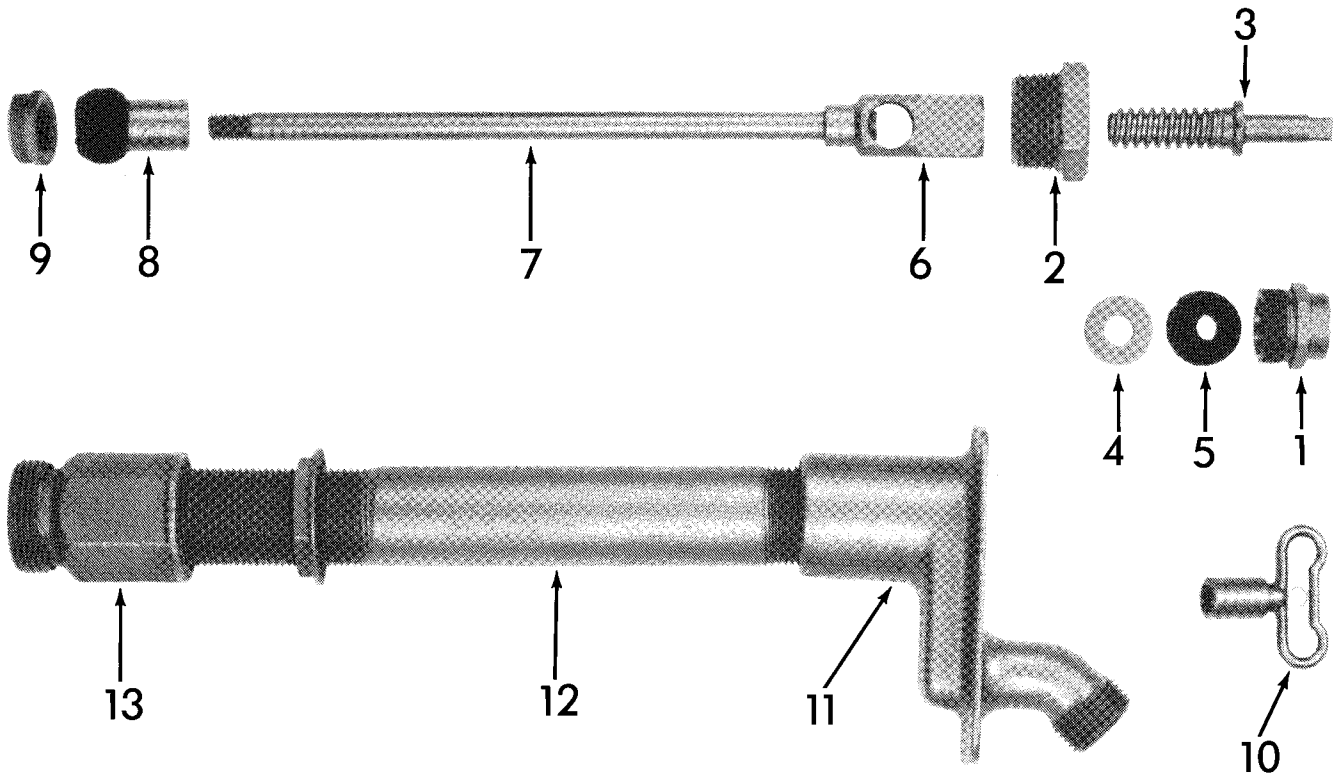


WADE 8604 Wall Hydrant
Old Style Sold Between 1969 and 1970



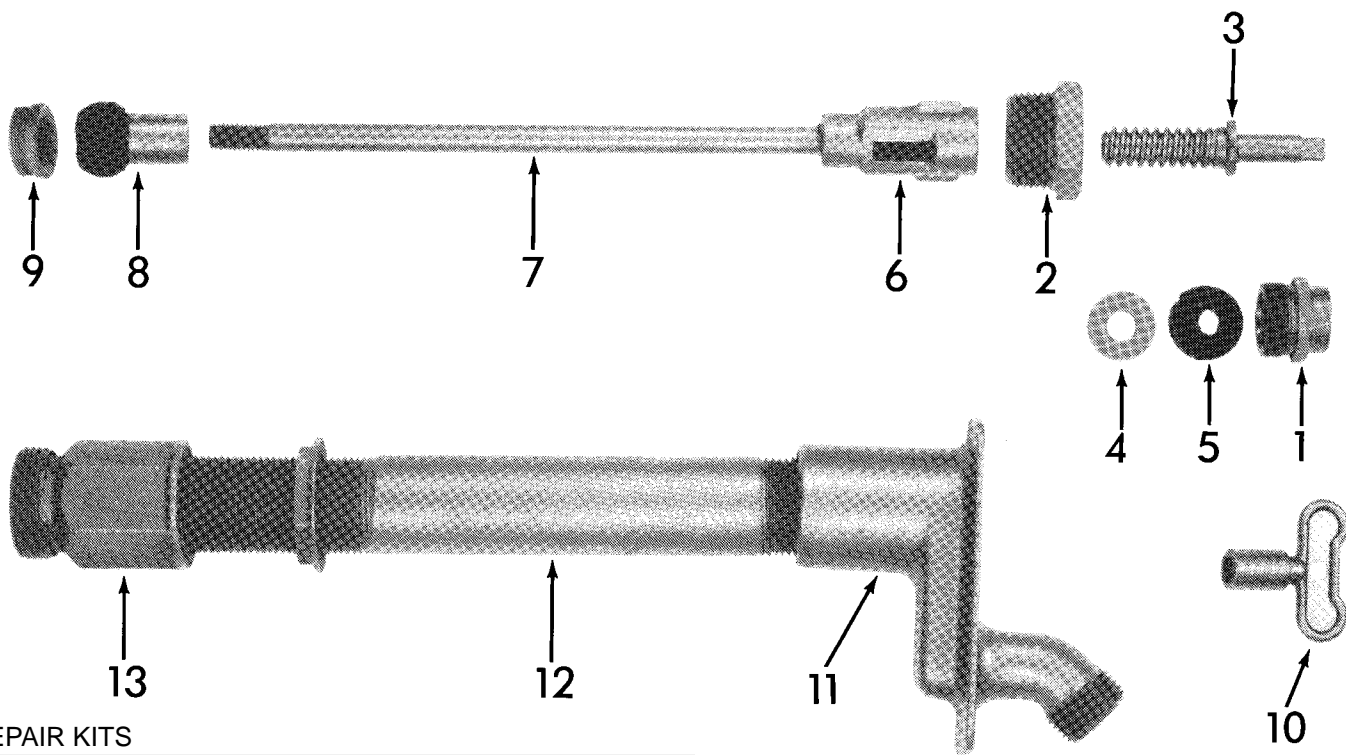
REPAIR KITS

Items	Description	UPC No.
1-6,8,10	Hydrant,Rpr,Kit,WK17,Pre71,3/4	362210
10	Hydrant,Kit,1 ea,T-Handle	230731

Item	Description	Material
1	Packing Nut	Brass
2	Stem Bushing Nut	Brass
3	Drive Screw	Brass
4	Packing Washer	Brass
5	Packing	Graphite
6	Drive Sleeve	Brass
7	Control Rod (3/8" Dia.)	Brass
8	Plunger	Neoprene/Brass
9	Seat	Nylon
10	T-Handle	Zinc Die Cast
11	Head	Bronze
12	Casing	Bronze
13	Valve Body	Bronze

HYDRANT REPAIR KITS

WADE 8604 Wall Hydrant
Old Style Sold Between 1962 and 1968

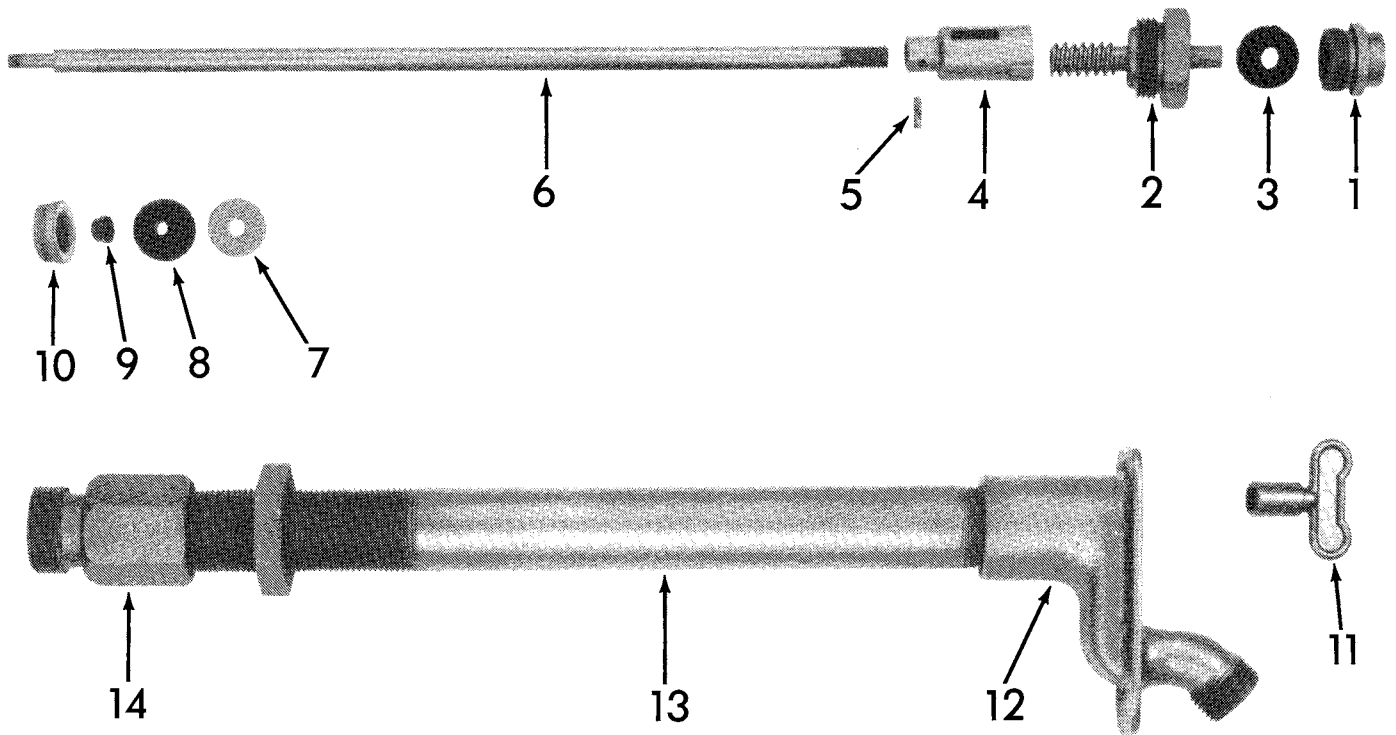


REPAIR KITS

Items	Description	UPC No. 670610
1-6,8,10	Hydrant,Rpr,Kit,WK17,Pre71,3/4	362210
10	Hydrant,Kit,1ea,T-Handle	230731

Item	Description	Material
1	Packing Nut	Brass
2	Stem Bushing Nut	Brass
3	Drive Screw	Brass
4	Packing Washer	Brass
5	Packing	Graphite
6	Drive Sleeve	Brass
7	Control Rod (3/8" Dia.)	Brass
8	Plunger	Neoprene/Brass
9	Seat	Nylon
10	T-Handle	Zinc Die Cast
11	Head	Brøn
12	Casing	Brøn
13	Valve Body	Brøn

WADE 8604 Wall Hydrant
Old Style Sold Before 1962



REPAIR KITS

Items	Description	UPC No.
1-4,8,11	Hydrant,Rpr,Kit,WK17,Pre71,3/4	362210
11	Hydrant,Kit,1ea,T-Handle	230731

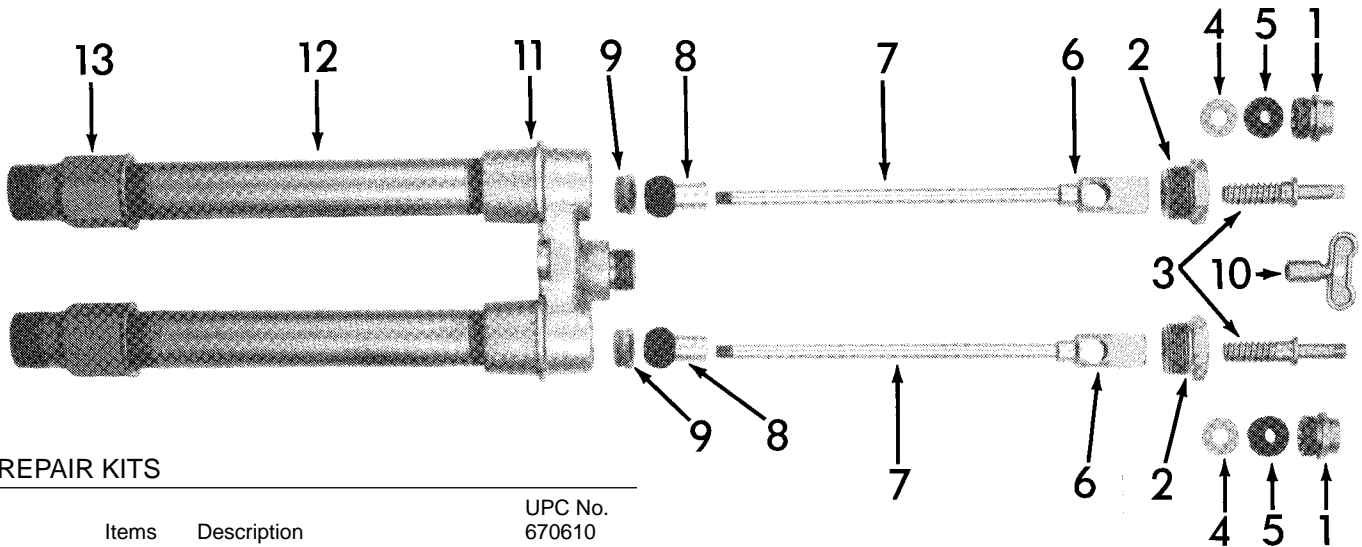
Item	Description	Material
1	Packing Nut *	Brass
2	Stem Nut /Drive	Screw Assy *Brass
3	Packing	Graphite
4	Drive Sleeve *	Bronze
5	Press Pin *	Steel
6	Control Rod (3/8" Dia.) *	Brass
7	Washer **	Brass
8	Plunger *	Neoprene
9	Retainer Nut **	Brass
10	Seat	Nylon
11	T-Handle Operating Key	Zinc Die Cast
12	Head	Bronze
13	Casing	Bronze
14	Valve Body	Bronze

* Note: Indicated parts are obsolete and are no longer available. Replacement parts are not exact duplicate. Some parts included in Repair Kit require some modification to function properly; refer to illustrations and instructions.

** Parts replaced by molded plunger.

HYDRANT REPAIR KITS

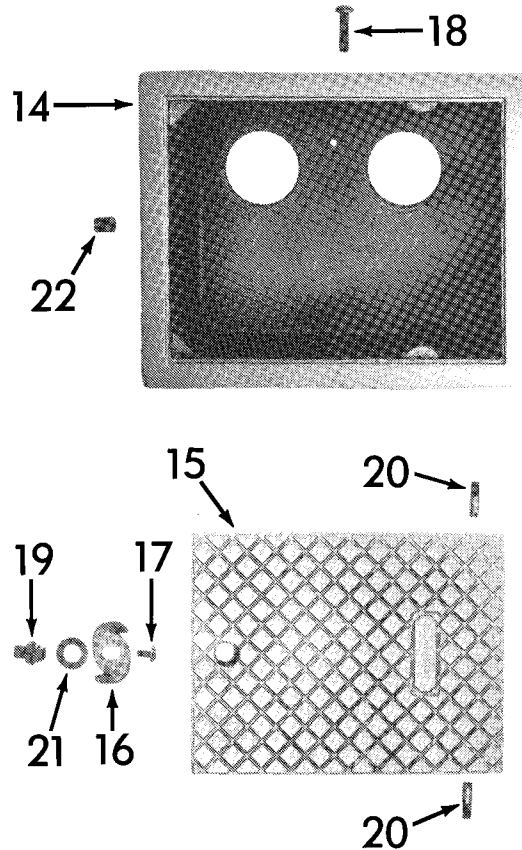
WADE 8606-2 Wall Hydrant (Hot & Cold)
Old Style Sold Before 1982



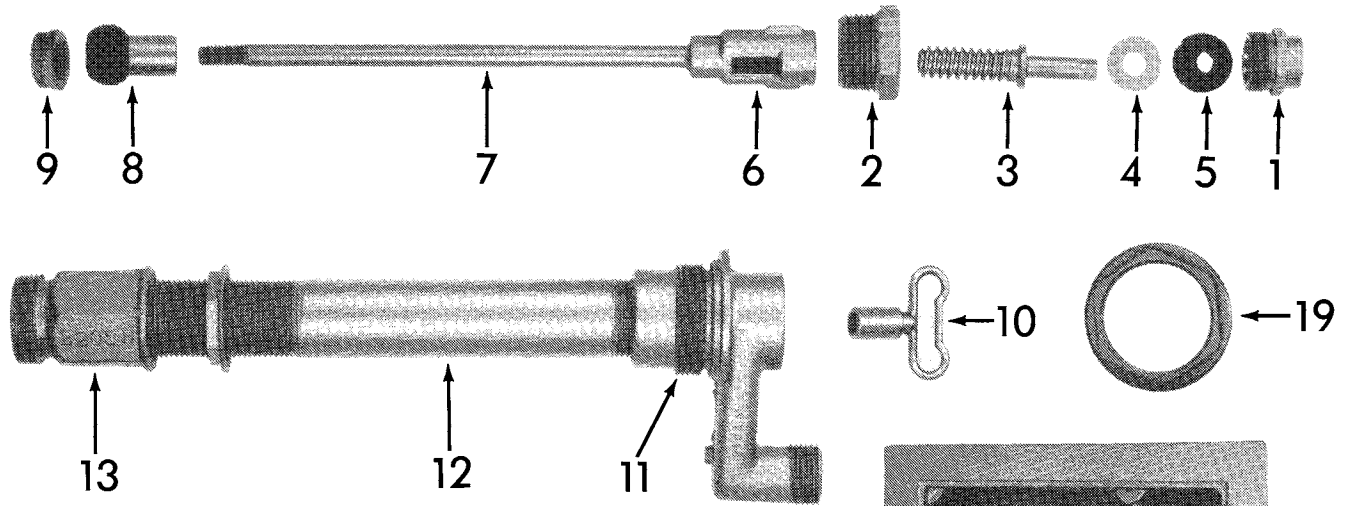
REPAIR KITS

Items	Description	UPC No.
1-6,8,10	Hydrant,Rpr,Kit,WK17, Pre71,3/4	362210
16,17,19-21	Hydrant,Rpr,Kit,WK13, Box	362135
10	Hydrant,Kit,1ea,T-Handle	230731

Item	Description	Material
1	Packing Nut	Brass
2	Stem Bushing Nut	Brass
3	Drive Screw	Brass
4	Packing Washer	Brass
5	Packing	Graphite
6	Drive Sleeve	Brass
7	Control Rod (3/8" Dia.)	Brass
8	Plunger	Neoprene/Brass
9	Seat	Nylon
10	T-Handle	Zinc Die Cast
11	Head	Bronze
12	Casing	Bronze
13	Valve Body	Bronze
14	Box	Bronze
15	Lid	Bronze
16	Latch Pawl	Bronze
17	Latch Screw	Brass
18	Securing Screw	Brass
19	Latch Stem	Brass
20	Hinge Pin	Brass
21	Latch Washer (2 Req'd)	Nylon
22	Catch Screw	Brass



WADE 8607 Wall Hydrant w/Box
Old Style Sold Between 1962 and 1970

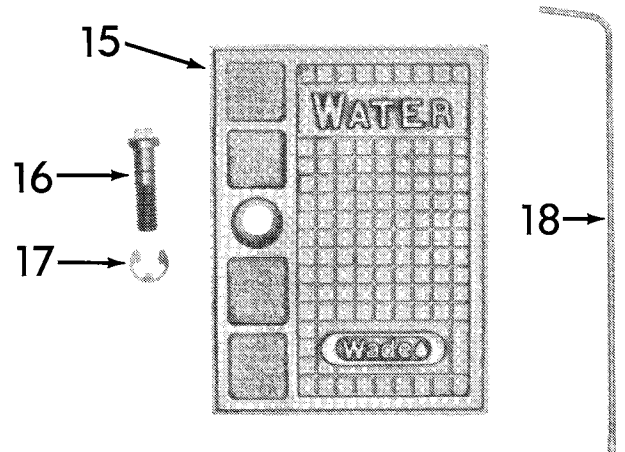


REPAIR KITS

Items	Description	UPC No. 670610
1-6,8,10	Hydrant,Rpr,Kit,WK17,Pre71,3/4	362210
16,17,18	Hydrant,Rpr,Kit,Box	
10	Hydrant,Kit,1ea,T-Handle	230731

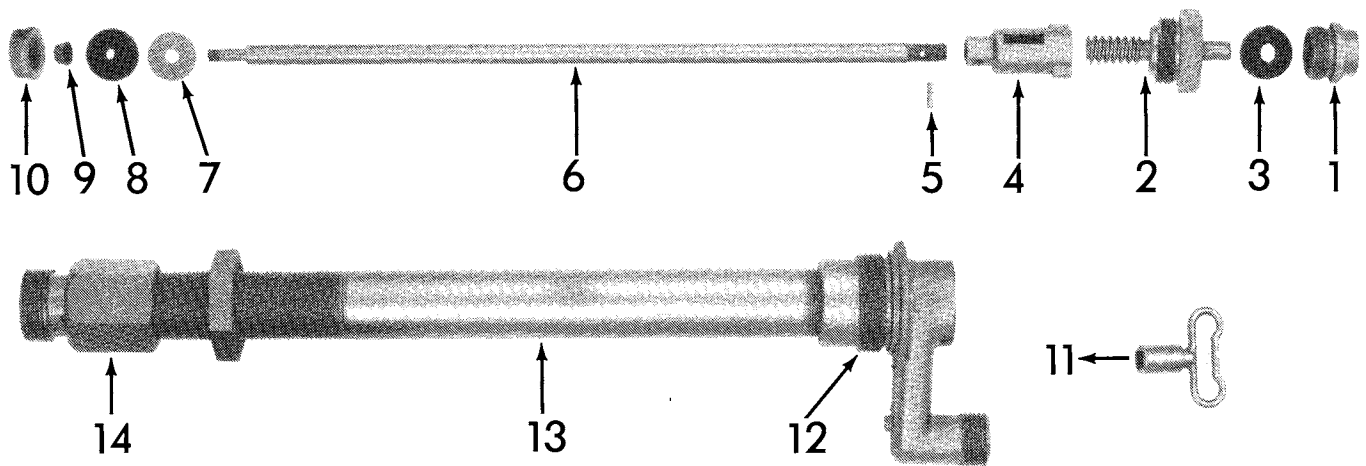
Item	Description	Material
1	Packing Nut	Brass
2	Stem Bushing Nut	Brass
3	Drive Screw	Brass
4	Packing Washer	Brass
5	Packing	Graphite
6	Drive Sleeve	Brass
7	Control Rod (3/8" Dia.)	Brass
8	Plunger	Neoprene/Brass
9	Seat	Nylon
10	T-Handle	Zinc Die Cast
11	Head	Bronze
12	Casing	Bronze
13	Valve Body	Bronze
14	Box	Bronze
15	Lid	Bronze
16	Locking Screw	Stainless Steel
17	Retaining Ring	Stainless Steel
18	Hinge Pin *	Spring Steel
19	Box Lock Nut	Zinc Die Cast

*Note: Replacement part is not exact duplicate.



HYDRANT REPAIR KITS

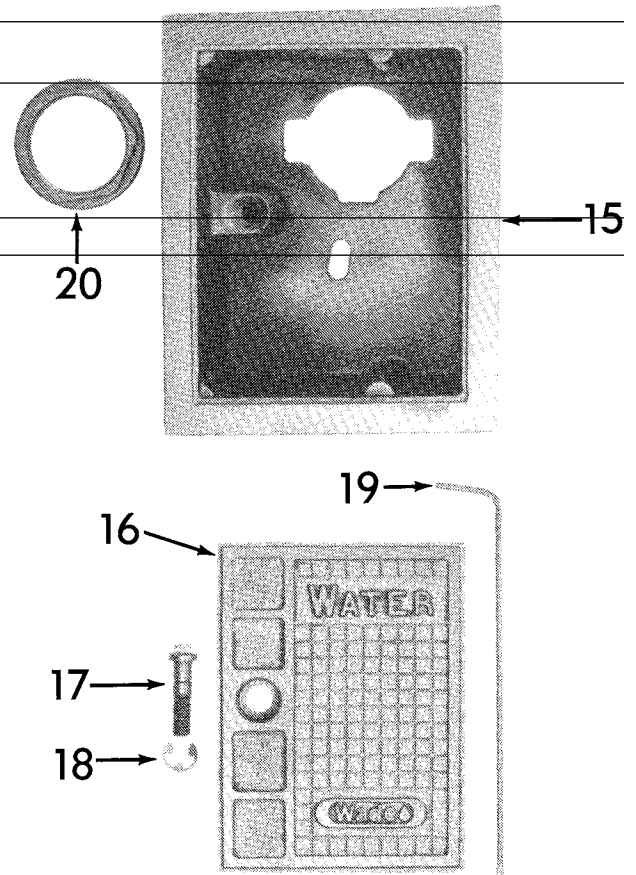
WADE 8607 Wall Hydrant w/Box
Old Style Sold Before 1962



REPAIR KITS

Items	Description	UPC No.
1-4,8,11.....	Hydrant,Rpr,Kit,WK17,Pre71,3/4	362210
17,18,19.....	Hydrant,Rpr,Kit,Box.....	
11.....	Hydrant,Kit,1ea,T-Handle.....	230731

Item	Description	Material
1 ...	Packing Nut *	Brass
2 ...	Stem Bushing Nut / Drive Screw Assy *	Brass
3 ...	Packing	Graphite
4 ...	Drive Sleeve *	Bronze
5 ...	Press Pin *	Steel
6 ...	Control Rod (3/8" Dia.) *	Brass
7 ...	Washer **	Brass
8 ...	Plunger **	Neoprene
9 ...	Retainer Nut **	Brass
10 ...	Seat	Nylon
11 ...	T-Handle Operating Key	Zinc Die Cast
12 ...	Head	Bronze
13 ...	Casing	Bronze
14 ...	Valve Body	Bronze
15 ...	Box	Bronze
16 ...	Lid	Bronze
17 ...	Locking Screw	Stainless Steel
18 ...	Retaining Ring	Stainless Steel
19 ...	Hinge Pin *	Spring Steel
20 ...	Box Lock Nut	Zinc Die Cast

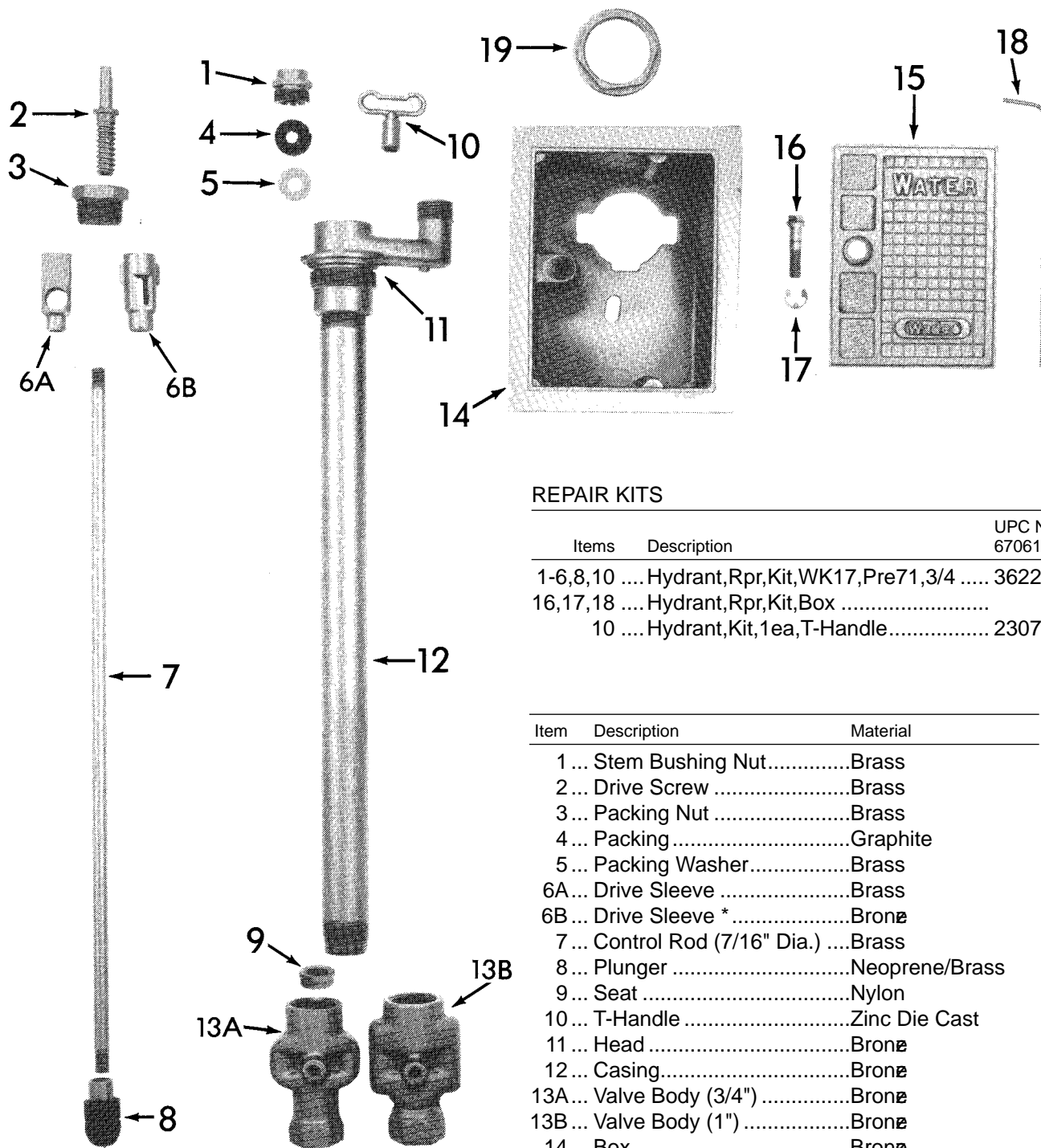


* Note: Indicated parts are obsolete and are no longer available. Replacement parts are not exact duplicate. Some parts included in Repair Kit require some modification to function properly; refer to illustrations and instructions.

** Parts replaced by molded plunger.

HYDRANT REPAIR KITS

WADE 8609 (3/4" & 1") Ground Box Hydrant
Old Style Sold Before 1972



REPAIR KITS

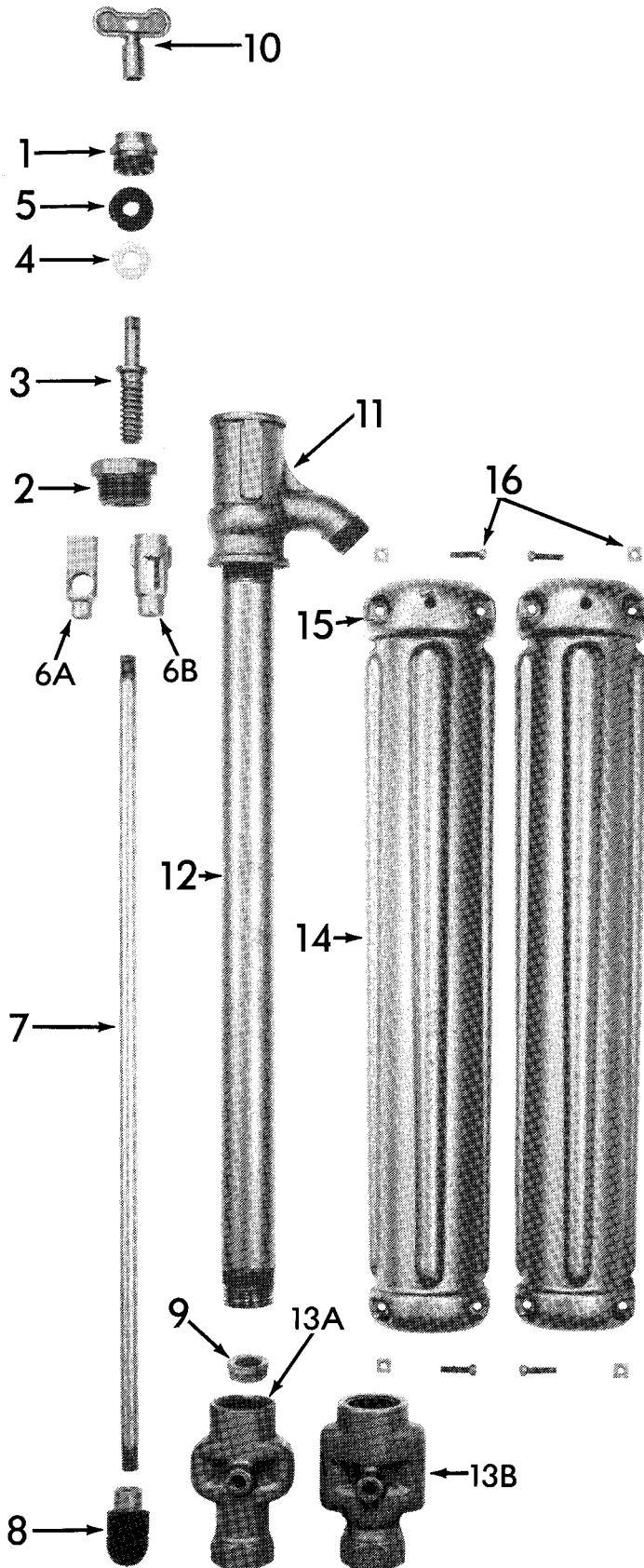
Items	Description	UPC No.
1-6,8,10	Hydrant,Rpr,Kit,WK17,Pre71,3/4	362210
16,17,18	Hydrant,Rpr,Kit,Box	
10	Hydrant,Kit,1ea,T-Handle	230731

Item	Description	Material
1	Stem Bushing Nut	Brass
2	Drive Screw	Brass
3	Packing Nut	Brass
4	Packing	Graphite
5	Packing Washer	Brass
6A	Drive Sleeve	Brass
6B	Drive Sleeve *	Bronze
7	Control Rod (7/16" Dia.)	Brass
8	Plunger	Neoprene/Brass
9	Seat	Nylon
10	T-Handle	Zinc Die Cast
11	Head	Bronze
12	Casing	Bronze
13A	Valve Body (3/4")	Bronze
13B	Valve Body (1")	Bronze
14	Box	Bronze
15	Lid	Bronze
16	Locking Screw	Stainless Steel
17	Retaining Ring	Stainless Steel
18	Hinge Pin **	Spring Steel
19	Box Lock Nut	Zinc Die Cast

*Note: Replacement part is not exact duplicate (See Item 6A).

** Note: Replacement part is not exact duplicate.

WADE 8610 (3/4" & 1") Post Hydrant
Old Style Sold Before 1972



REPAIR KITS

Items	Description	UPC No. 670610
1-6,8,10 Hydrant,Rpr,Kit,WK17,Pre71,3/4 362210
10 Hydrant,Kit,1ea,T-Handle 230731

Item	Description	Material
1	... Stem Bushing Nut.....	Brass
2	... Drive Screw	Brass
3	... Packing Nut	Brass
4	... Packing	Graphite
5	... Packing Washer.....	Brass
6A	... Drive Sleeve*	Brass
6B	... Drive Sleeve	Bronze
7	... Control Rod (7/16" Dia.)	Brass
8	... Plunger	Neoprene/Brass
9	... Seat	Nylon
10	... T-Handle	Zinc Die Cast
11	... Head	Bronze
12	... Casing.....	Bronze
13	... Valve Body (3/4")	Bronze
14	... Decorative Shield.....	Aluminum
15	... Shield Set Screws (2 Req'd)....	Steel
16	... Shield Bolts & Nuts (4 Req'd) ..	Plated Steel

*Note: Replacement part is not exact duplicate
(See Item 6A).