

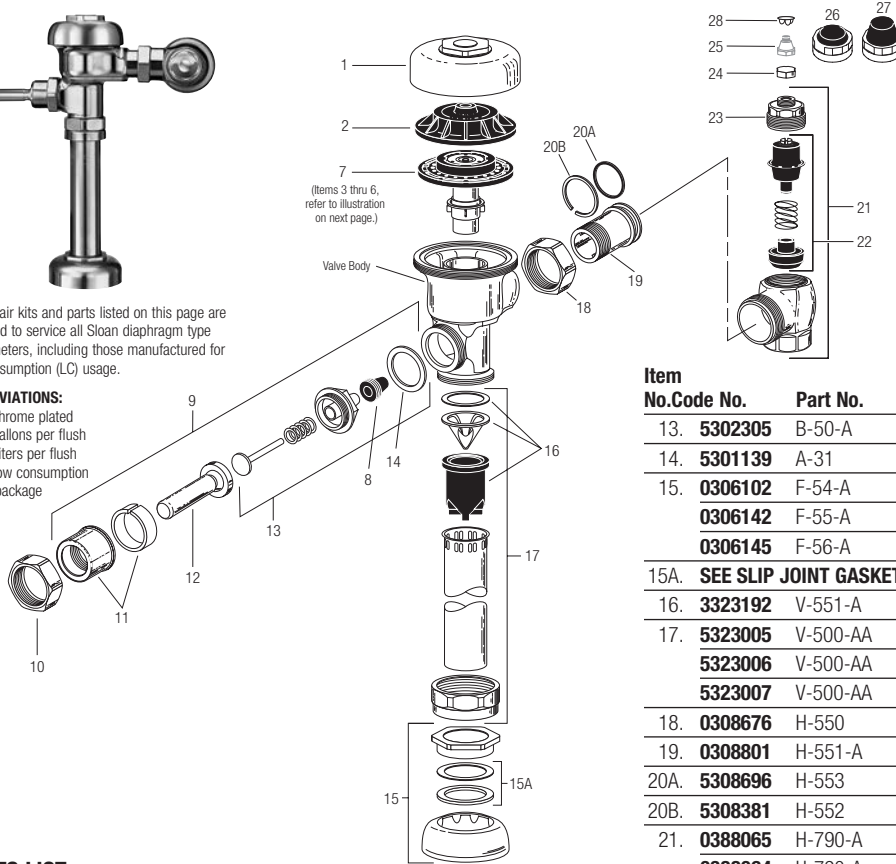
Regal® Flushometer

NOTE: Also for use with Regal® XL
(Since mid-2010)



The repair kits and parts listed on this page are designed to service all Sloan diaphragm type flushometers, including those manufactured for low consumption (LC) usage.

ABBREVIATIONS:
 CP = Chrome plated
 gpf = gallons per flush
 Lpf = Liters per flush
 LC = Low consumption
 pkg = package



TAILPIECES, CONTROL STOPS AND FLUSH CONNECTIONS

For additional information on tailpieces, control stops and flush connections see Showerheads, Parts and Accessories Tab.

PARTS LIST

Item No.	Code No.	Part No.	Description
1.	0317004	R-10	CP Cover
	—	R-10-HE	CP High Efficiency Cover
2.	0301168	A-71	Inside Cover
SEE ITEMS 3A THROUGH 6E IN CHART ON NEXT PAGE			
3A.	5301058	A-19-AC	Relief Valve, White (Closet) – 12 per package
3B.	5301059	A-19-AU	Relief Valve, Black (Urinal) – 12 per package
3C.	5301211	A-19-ALC	Relief Valve, Green (Closet/Urinal-LC) – 12 per package
3D.	0301143	A-19-AL	Relief Valve, Blue (9 Liter Closet)
4.	5301111	A-15-A	Disc – for all Inside Parts Kits – 12 per package
5.	5301188	A-156-A	Diaphragm – for all Inside Parts Kits – 12 per package
6A.	5301236	A-163-A	Guide Assembly 4.5 gpf/17.0 Lpf Closet & 1.5 gpf/5.7 Lpf Urinal – 12 per package
6B.	5301032	A-152-A	Guide Assembly 3.5 gpf/13.2 Lpf Closet – 12 per package
6C.	5301031	A-151-A	Guide Assembly 1.6 gpf/6.0 Lpf LC Closet – 12 per package
6D.	5301155	A-155-A	Guide Assembly 1.0 gpf/3.8 Lpf LC Urinal – 12 per package
6E.	5301157	A-157-A	Guide Assembly 0.5 gpf/1.9 Lpf Urinal – 12 per package
7.	SEE INSIDE PARTS KITS CHART ON NEXT PAGE		
8.	5302297	B-39	Seal – 12 per package
9.	5302279	B-32-A	CP Handle Assembly – 6 per package
	0302390	B-73-A	CP Handicap Handle Assembly (ADA Compliant)
10.	0301082	A-6	CP Handle Coupling
11.	0302109	B-7-A	CP Socket Assembly
12.	5302274	B-32	CP Handle Grip – 12 per package
	0302389	B-74-A	CP Handicap Handle Grip (ADA Compliant)

Item No.	Code No.	Part No.	Description
13.	5302305	B-50-A	Handle Repair Kit – 6 per package
14.	5301139	A-31	Handle Gasket – 48 per package
15.	0306102	F-54-A	3/4" CP Spud Coupling Assembly
	0306142	F-55-A	1-1/4" CP Spud Coupling Assembly
	0306145	F-56-A	1-1/2" CP Spud Coupling Assembly
15A.	SEE SLIP JOINT GASKETS AND RINGS TABLE BELOW		
16.	3323192	V-551-A	Vacuum Breaker Repair Kit
17.	5323005	V-500-AA	3/4" x 9" CP Vacuum Breaker – 6 per package
	5323006	V-500-AA	1-1/4" x 9" CP Vacuum Breaker – 6 per package
	5323007	V-500-AA	1-1/2" x 9" CP Vacuum Breaker – 6 per package
18.	0308676	H-550	CP Stop Coupling †
19.	0308801	H-551-A	CP Adjustable Tailpiece 2-1/16" long †
20A.	5308696	H-553	O-ring – 24 per package
20B.	5308381	H-552	Locking ring – 12 per package
21.	0388065	H-790-A	1" Screwdriver Bak-Chek® Stop CP – complete
	0388064	H-790-A	3/4" Screwdriver Bak-Chek® Stop CP – complete
	0388029	H-740-A	1" Screwdriver Bak-Chek® Stop CP – OBSELETE
	0388031	H-740-A	3/4" Screwdriver Bak-Chek® Stop CP – OBSELETE
22.	3308853	H-541-ASD	1" Control Stop Repair Kit *
	3308856	H-543-ASD	3/4" Control Stop Repair Kit **
23.	0308612	H-622	CP Bonnet (Current Regal)
	0308991	H-639	CP Bonnet – Pre 2010 Regal Stops*
	0308601	H-538	CP Bonnet ** – OBSELETE
24.	5388001	H-1012-A	CP Cap – 6 per package VP
25.	5310034	J-2/J-7	Bumper Assembly – 6 per package – OBSELETE
26.	3308866	H-574	Stop Cap, chrome plated with Seat Bumper (-YO)
27.	3308867	H-576	Stop Cap, chrome plated with Extended Seat Bumper (-YG)
28.	5388002	H-528	Hole Plug
29.	3388015	H-1015	Flow Control Kit (HEU Only) (not Shown)

† See pages 100-101 for additional lengths
 *For use with 1" and 3/4" H-740-A CP (less cap) and 1" – H-540-A CP (with H-37 cap) Bak-Chek® screwdriver control stops
 **For use with 3/4" H-740-A CP Bak-Chek® screwdriver control stops

ITEM 15A. SLIP JOINT GASKETS AND RINGS

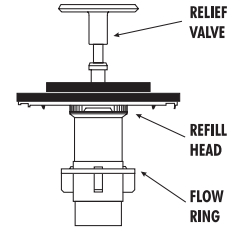
Size	Code No.	Part No.	Description
1-1/2"	5306058	F-3	Red Friction Ring
	5322001	VBF-5	Black Slip Joint Gasket
	0319086/5319086	S-30	Flexible Seat
	0319079	S-21	Rigid Seat (rubber over brass)
1-1/2" x 1-1/4"	0396062	F-105	Slip Joint Gasket – Rigid
1-1/4"	5306057	F-3	Red Friction Ring
	5322176	VBF-5	Black Slip Joint Gasket
	0307052/5307052	G-21	Rigid Seat (rubber over brass)
1"	5306056	F-3	Red Friction Ring
	5306115	F-5	Black Slip Joint Gasket
3/4"	5306055	F-3	Red Friction Ring
	5306113	F-5	Black Slip Joint Gasket

Optima® Flushometers

ROYAL® ESS (ITEM 24) REPAIR KIT

Code No.	Part No.	Description	Relief Valve	Refill Head*	Flow Ring
3345013	EL-1101-A	Low Consumption Water Closets-1.6 gpf (6.0 Lpf)	Green	Gray	Smooth
3345014	EL-1102-A	Water Saver Water Closets-3.5 gpf (13.2 Lpf)	White	Gray	Smooth
3345015	EL-1103-A	9 Liter European Water Closets-2.4 gpf (9.0 Lpf)	Blue	Gray	Smooth
3345016	EL-1106-A	Wash Down Urinals-0.5 gpf (1.9 Lpf)	Green	Black	Smooth
3345017	EL-1107-A	Low Consumption Urinals-1.0 gpf (3.8 Lpf)	Green	Black	Slotted
3345018	EL-1108-A	Water Saver Urinals-1.5 gpf (5.7 Lpf)	Black	Black	Smooth
3345083	EL-1109-A	High Efficiency Urinals-1.28 gpf (4.8 Lpf)	Blue	Gray	Smooth

To identify the Flush Volume of a DUAL FILTERED DIAPHRAGM ASSEMBLY, look at the color of the **relief valve**, the **refill head** and the shape of **flow ring**.



*NOTE: Water closet refill heads (gray) have larger slots than urinal refill heads (black).

DIAPHRAGM ONLY KIT

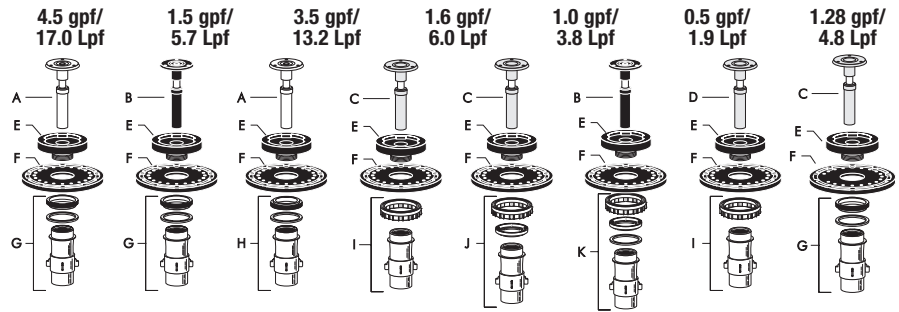
Code No.	Part No.	Description	Relief Valve	Refill Head*	Flow Ring
3301502	A-1041-A	Low Consumption Water Closets-1.6 gpf (6.0 Lpf)	Green	Gray	Smooth
3301501	A-1038-A	Water Saver Water Closets-3.5 gpf (13.2 Lpf)	White	Gray	Smooth
3301506	A-1045-A	High Efficiency Water Closets-1.28 gpf (4.8 Lpf)	Blue	Gray	Smooth
3301505	A-1044-A	9 Liter European Water Closets-2.4 gpf (9.0 Lpf)	Blue	Gray	Smooth
3301504	A-1043-A	Wash Down Urinals-0.5 gpf (1.9 Lpf)	Green	Black	Smooth
3321503	A-1042-A	Low Consumption Urinals-1.0 gpf (3.8 Lpf)	Green	Black	Slotted
3301500	A-1037-A	Water Saver Urinals-1.5 gpf (5.7 Lpf)	Black	Black	Smooth
3301142	A-1047-A	High Efficiency Urinals-0.25 gpf (1.0 Lpf) with White Inserts	White	HEU Black	Smooth
3301143	A-1050-A	High Efficiency Urinals-0.125 gpf (0.5 Lpf) with White Inserts	Blue	HEU Black	Smooth

*NOTE: Water closet refill heads (gray) have larger slots than urinal refill heads (black).

REGAL® ESS (ITEM 28) INSIDE PARTS KITS ASSEMBLY

NOTE: Also for use with Regal® XL (Since mid-2010)

Code No.	Part No.	Description
3301036	A-36-A	4.5 gpf/17.0 Lpf-Closet
3301037	A-37-A	1.5 gpf/5.7 Lpf-Urinal
3301038	A-38-A	3.5 gpf/13.2 Lpf-Closet
3301041	A-41-A	1.6 gpf/6.0 Lpf-Closet
3301044	A-42-A	1.0 gpf/3.8 Lpf-Urinal
3301081	A-43-A	0.5 gpf/1.9 Lpf-Urinal
3301024	A-44-A	2.4 gpf/9.0 Lpf-Closet
3301045	A-140-A	1.28 gpf/4.8 Lpf- Closet



- A-36-A
Closet
- A-37-A
Urinal
- A-38-A
Closet
- A-41-A
Closet
- A-42-A
Urinal
- A-43-A
Urinal
- A-44-A
Closet
- A-140-A
Closet

REGAL® INSIDE PARTS LIST** NOTE: Also for use with Regal® XL (Since mid-2010)

Item No.	Code No.	Part No.	Description
A.	5301058	A-19-AC	Relief Valve, White (Closet)
B.	5301059	A-19-AU	Relief Valve, Black (Urinal)
C.	5301211	A-19-ALC	Relief Valve, Green (Closet/Urinal-Low Consumption)
D.	0301143	A-19-AL	Relief Valve, Blue (9 Liter Closet)
E.	5301111	A-15-A	Disc
F.	5301188	A-156-A	Diaphragm
G.	5301236	A-163-A	Guide Assembly 4.5 gpf/17.0 Lpf Closet and 1.5 gpf/5.7 Lpf Urinal
H.	5301032	A-152-A	Guide Assembly 3.5 gpf/13.2 Lpf Closet
I.	5301031	A-151-A	Guide Assembly 1.6 gpf/6.0 Lpf Closet
J.	5301155	A-155-A	Guide Assembly 1.0 gpf/3.8 Lpf Urinal
K.	5301157	A-157-A	Guide Assembly 0.5 gpf/1.9 Lpf Urinal

**NOTE: All Regal® inside part items are supplied in 12 per package.

Sensor Flushometers