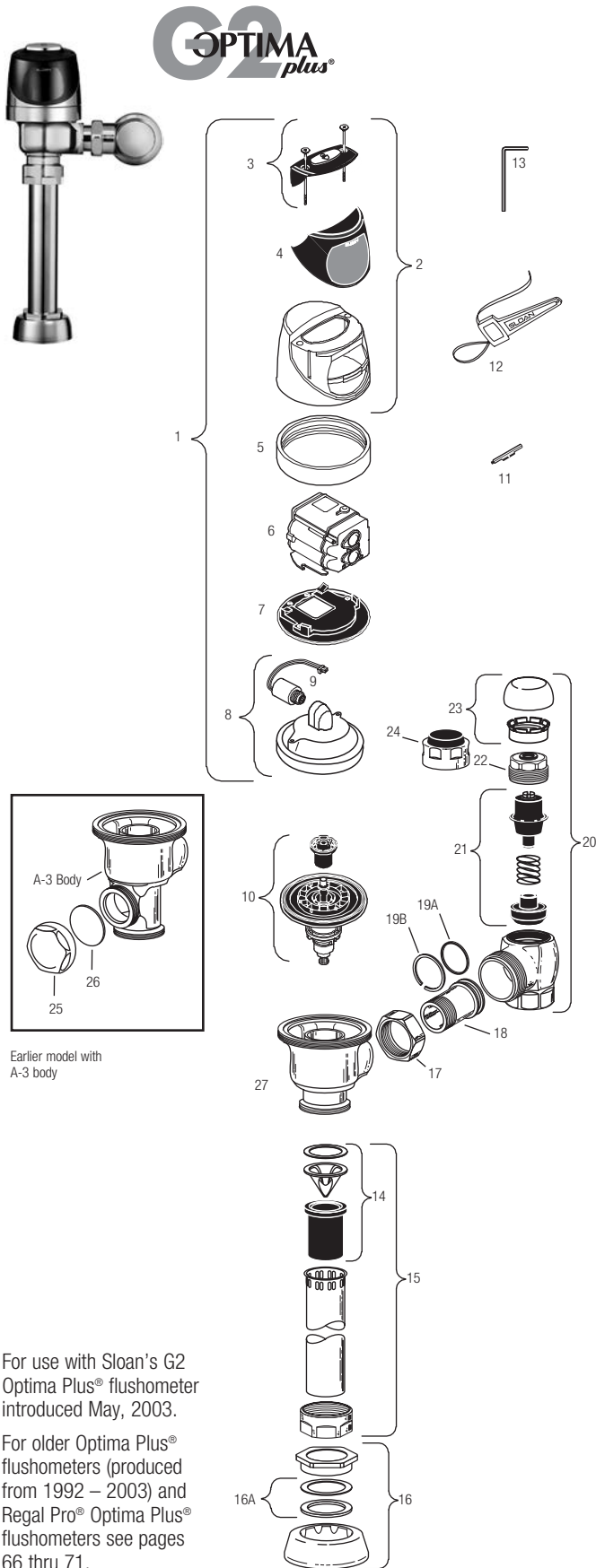


G2 Optima® Flushometer



For use with Sloan's G2 Optima Plus® flushometer introduced May, 2003.

For older Optima Plus® flushometers (produced from 1992 – 2003) and Regal Pro® Optima Plus® flushometers see pages 66 thru 71.

SENSOR MODULE COMPONENT PARTS

Item No.	Code No.	Part No.	Description
1.	0325160	EBV-138-A	G2 Cover/Ring/Sensor Assembly – Water Closet
	0325161	EBV-139-A	G2 Cover/Ring/Sensor Assembly – Urinal
	0325166	EBV-149-A	G2 Cover/Ring/Sensor Assembly – Water Closet w/Zurn Ring
	0325167	EBV-150-A	G2 Cover/Ring/Sensor Assembly – Urinal w/Zurn Ring
2.	0325168	EBV-142-A	Cover Assembly
3.	0325172	EBV-130-A	Override Button Assembly includes screws & hex wrench
	0325170	EBV-132-A	Screws (2) and Allen Wrench Only
4.	0325169	EBV-131	Lens Window Cover
5.	0325804	EBV-14	Locking Ring CP
	0325210	EBV-168	Locking Ring CP
	3325524	EBV-31-A	Locking Ring – for Zurn Valves
6.	3325450	EBV-129-A-C	G2 Electronic Module – Water Closet
	3325451	EBV-129-A-U	G2 Electronic Module – Urinal
7.	0325171	EBV-134	Cover Rest Plate
8.	3325456	EBV-145-A	Inside Cover Assembly (includes solenoid EBV-136-A)
	3325089	EBV-1010-A	Inside Cover Assembly (includes solenoid EBV-136-A and locking ring EBV-14)
9.	3325453	EBV-136-A	Solenoid (For G2 Modules only)*
10.	SEE CHART NEXT PAGE		Flex Tube Diaphragm Kit

* Refer to Page 58 for instructions regarding solenoid replacement.

ACCESSORIES

11.	0325107	EBV-91	Trimpot Adjustment Screwdriver
12.	0305823	EBV-22	Strap Wrench
13.	0325170	EBV-132-A	Allen Wrench

VALVE COMPONENT PARTS

14.	3323182	V-651-A	Vacuum Breaker Repair Kit
15.	0393004	V-600-AA	3/4" x 9" CP Vacuum Breaker
	0393006	V-600-AA	1-1/4" x 9" CP Vacuum Breaker
	3393007	V-600-AA	1-1/2" x 9" CP Vacuum Breaker
16.	0306125	F-5-AW	3/4" CP Spud Coupling
	0306140	F-5-AU	1-1/4" CP Spud Coupling
	0306146	F-5-AT	1-1/2" CP Spud Coupling
16A.	SEE SLIP JOINT GASKETS AND RINGS TABLE ON NEXT PAGE		
17.	0308676	H-550	CP Stop Coupling
18.	0308801	H-551-A	CP Adjustable Tailpiece 2-1/16" long
19A.	5308696	H-553	O-ring – 24 per package
19B.	5308381	H-552	Locking ring – 12 per package
20.	3308386	H-700-A	1" Screwdriver Bak-Chek® Stop CP – complete
	3308384	H-700-A	3/4" Screwdriver Bak-Chek® Stop CP – complete
21.	3308853	H-541-A	Control Stop Repair Kit †
	3308856	H-543-A	Control Stop Repair Kit † 3/4" H-540/H-600 only
22.	0308612	H-622	CP Bonnet †
	0308843	H-577	CP Bonnet † – OBSOLETE
23.	3308772	H-1010-A	Vandal Resistant Control Stop Cap Assembly †
	3308790	H-1009-A	Vandal Resistant Control Stop Cap Assembly †
24.	3325816	EBV-1019-A	3/4" Decorative Stop Cap
	3308866	H-574	1" Decorative Stop Cap
25.	3325814	EBV-1017-A	Handle Cap — Metal
26.	0311042	K-46	Blind Nut Gasket
27.	0305381	EBV-36-A	Squatty Valve Body
28.	3388015	H-1050	Flow Control Kit (HEU Only) (not Shown)

† For use with 1" and 3/4" H-700-A and 1" H-600-A Bak-Chek® screwdriver control stop

‡ For use with H-600-A 3/4" screwdriver Bak-Chek® control stops

Sensor Flushometers

G2 Optima® Flushometer

SOLENOID REPLACEMENT



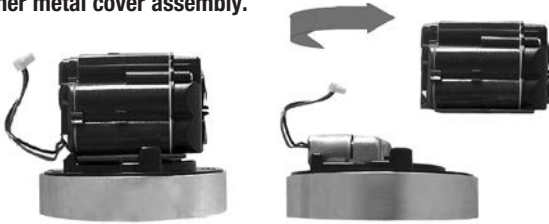
Code No.	Part No.	Description
3325453	EBV-136-A	Solenoid operator

For G2 Optima Plus® modules (identified by a blue module).

1. Turn off water and relieve pressure by loosening Tailpiece coupling and re-tighten. Loosen and remove top screws along with the outer cover assembly.



2. Disconnect wire clip from battery door and remove module from inner metal cover assembly.



3. Remove Solenoid by turning counter clockwise. Remove any remaining O-rings or parts in orifice.



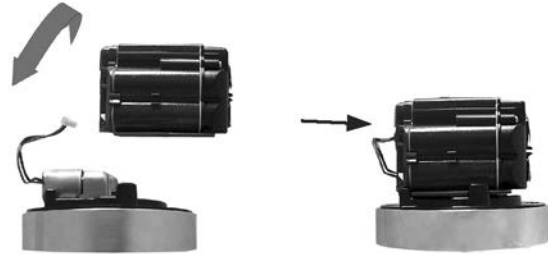
4. Remove black plastic Housing from the threaded end of new Isolated Operator by unscrewing (counterclockwise). It is normal to find fluid inside this housing.



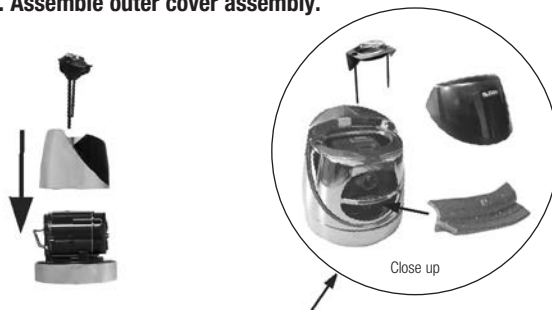
5. Make sure all O-rings (2) are installed on the grey End cap of the new Isolated Operator. Install Isolated Operator by threading it (clockwise) into the Housing. Tighten with fingers beyond just snug.



6. Mount module on inner cover assembly. Reconnect the plastic clip on the battery door.



7. Assemble outer cover assembly.



Note. Verify that rubber insert is installed

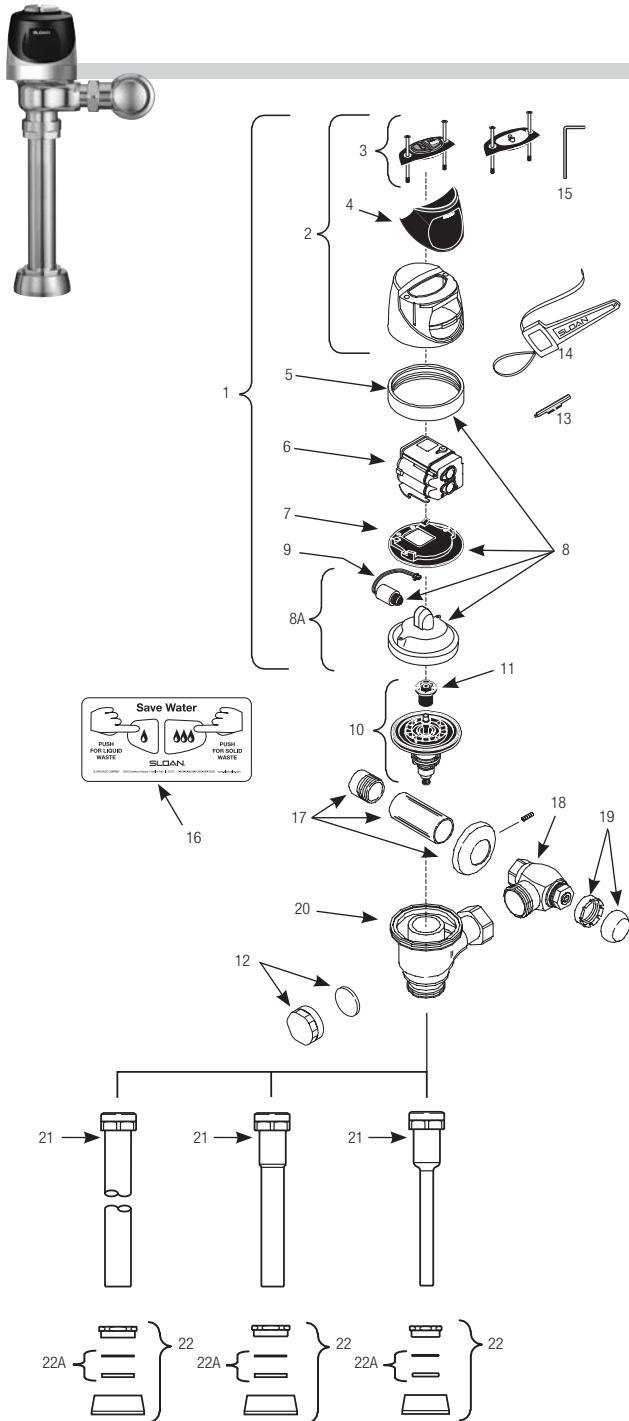
8. Turn on water at control stop. Installation complete.



Sensor Flushometers

Sloan ECOS® Single-Flush and Dual-Flush Flushometers

Sensor Flushometers



FLEX TUBE DIAPHRAGM ASSEMBLY



Sloan ECOS® Electronic Valve Models Feature Sloan's Exclusive flex tube diaphragm™ for the ultimate in valve performance, reliability and chloramine resistance.

Items Included with Complete Sloan ECOS Valves Only

Item.	Code.	Part #	Description
22A	0306146	F-5-AT	1½" Spud Coupling Assembly (Water Closet Models)
22B	0306125PK	F-5-AW	¾" Spud Coupling Assembly (Urinal Models)

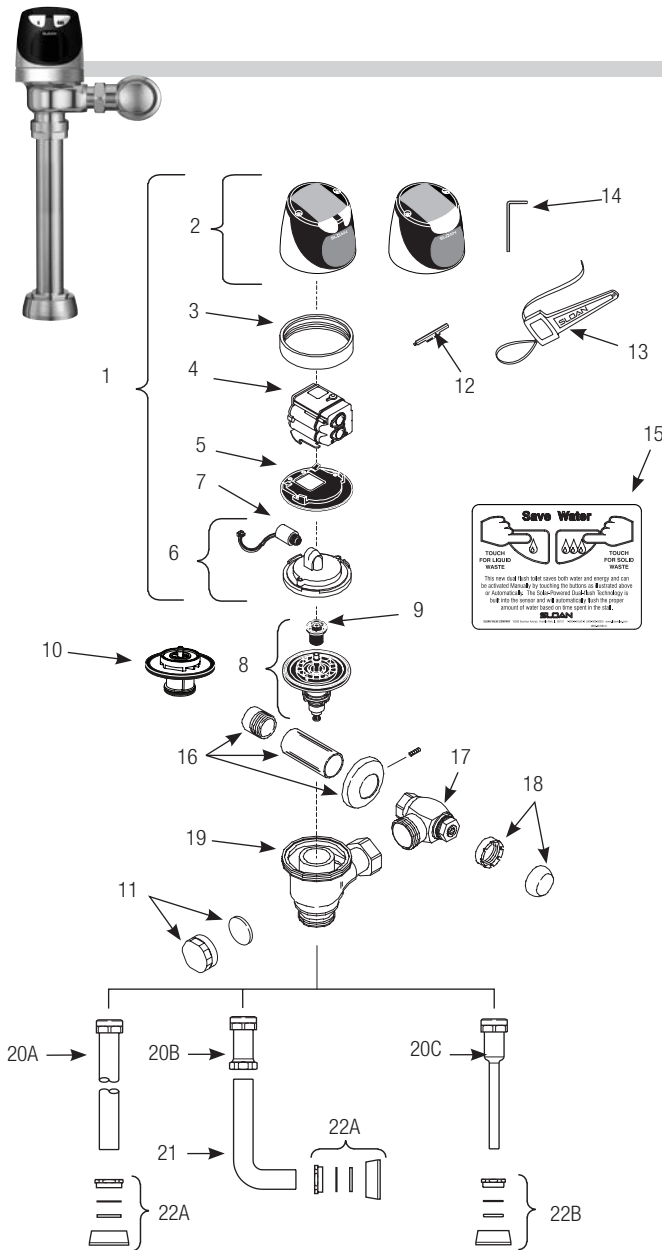
† Part No. varies with valve model variation; consult factory.
22C. **SEE SLIP JOINT GASKETS AND RINGS TABLE ON NEXT PAGE**

Item.	Code.	Part #	Description
Items Included with RESS Retrofit and Complete Sloan ECOS Flush Valves			
1	0372055	WES-55-A	Cover/Ring/Sensor Assembly - Dual Flush WC
	0325160	EBV-138-A	Cover/Ring/Sensor Assembly - 1.6 & 1.28 gpf Single Flush WC
	—	EBV-378-A	Cover/Ring/Sensor Assembly - 1.1 gpf Single Flush WC
	0325161	EBV-139-A	Cover/Ring/Sensor Assembly - 1.0 gpf Single Flush Urinal
	0325341	EBV-341-A	Cover/Ring/Sensor Assembly - 0.5 gpf Single Flush
	0325329	EBV-329-A	Cover/Ring/Sensor Assembly - 0.25 gpf Single Flush
	0325273	EBV-324-A	Cover/Ring/Sensor Assembly - 0.125 gpf Single Flush
	0372060	WES-60-A	Cover/Ring/Sensor Assembly w/ Zurn ring - Dual Flush WC
	0325166	EBV-149-A	Cover/Ring/Sensor Assembly w/ Zurn ring 1.6 & 1.28 gpf Single Flush Water Closet
	0325167	EBV-150-A	Cover/Ring/Sensor Assembly w/ Zurn Ring Single Flush Urinal
2	0325246	EBV-191-A	Cover Assembly - Dual Flush
	0325168	EBV-142-A	Cover Assembly - Single Flush
3A	0372033	WES-23-A	Button Cover Assembly with Screws - Dual Flush
	0325172	EBV-130-A	Button Cover Assembly with Screws - Single Flush
	0325242	EBV-182-A	Button Cover Assembly L/OR w/ Screws
3B	0325170	EBV-132-A	Screws (2) and Hex Wrench Only
4	0325169	EBV-131	Lens Window Cover
5	0325210PL	EBV-168	Locking Ring
	0325214PK	EBV-172	Locking Ring - for Zurn valves
6	0325247	EBV-196-A	Module - ECOS Electronic 1.6/1.1 gpf Dual Flush
	—	EBV-383-A	Module - ECOS Electronic 1.1 gpf Single Flush
	3325450	EBV-129-AC	Module - ECOS Electronic 1.6 & 1.28 gpf Single Flush
	0325395	EBV-386 AU	Single Flush 0.125 gpf/0.5 Lpf
	0325396	EBV-387 AU	single Flush 0.25 gpf/1.0 Lpf
	3325451	EBV-129-AU	Module - ECOS Electronic 0.5 & 1.0 gpf Single Flush
7	0325171	EBV-134	Cover Rest Plate
8	3325089	EBV-1010-A	Inner Cover Repair Kit (Metal)
8A	3325456	EBV-145-A	Inside Cover Assembly (includes solenoid)
9	3325453	EBV-136-A	Solenoid
10A	†		Flex Tube Diaphragm Assembly
10B	†		Cartridge Assembly
11	†		Flush Volume Regulator
12	3325814	EBV-1017-A	Handle Cap (RESS Retrofit Models only)
13	0325194	EBV-91	Range Adjustment Tool
14	0305823	EBV-22	Strap Wrench
15	0325159	EBV-137	7/64" Hex Wrench
16	0372031	WES-19	English Operation Instruction Plate
	—	WES-22	Spanish Operation Instruction Plate
17.	3388015	H-T015	Flow Control Kit (HEU Only) (Not Shown)
Items Included with Complete Sloan ECOS Valves Only			
17A	3308782	H-633-AA	1" (25 mm) Sweat Solder Kit
17B	3308788	H-636-AA	¾" (20 mm) Sweat Solder Kit
18A	0388000	H-700-A	1" (25 mm) Bak-Chek® Control Stop
18B	0388001	H-700-A	¾" (20 mm) Bak-Chek® Control Stop
19	3308797	H-1010-A	Vandal Resistant Stop Cap
20	0305381PK	EBV-36-A	Valve Body
21A	3393002	V-600-AA	1½" (38 mm) x 10" (254 mm) Vacuum Breaker (Model 8110)
	0323044	V-600-AA	1½" (38 mm) x 23" (584 mm) Vacuum Breaker (Model 8115)
	0393049	V-600-AA	1½" (38 mm) x 26" (660 mm) Vacuum Breaker (Model 8116)
21B	0323117	V-600-AA	¾" (20 mm) x 10" (254 mm) Vacuum Breaker (Model 8186)

The EBV-1020-A Kit is supplied with multiple Flush Volume Regulators. The installer must use the correct Regulator when installing the kit.

SOLIS® Single-Flush and Dual-Flush Flushometer

Sensor Flushometers



Item.	Code.	Part.	Description
-------	-------	-------	-------------

Items Included with RESS Retrofit and Complete Sloan SOLIS® Valves

1	0325300	EBV-304-A	Cover/Sensor/Assembly - Closet SOLIS 1.6 & 1.28 gpf Electronic Single Button Flush
	—	EBV-379-A	Cover/Sensor/Assembly - Closet SOLIS 1.1 gpf Electronic Single Button Flush
	0372024	WES-24-A	Cover/Sensor/Assembly - Closet SOLIS Electronic Dual Flush
	0325301	EBV-306-A	Cover/Sensor/Assembly - Urinal 0.5 & 1.0 gpf SOLIS Electronic Single Button
	0325328	EBV-328-A	Cover/Sensor/Assembly - Urinal 0.25 gpf SOLIS Electronic Single Button
	0325302	EBV-325-A	Cover/Sensor/Assembly - Urinal 0.125 gpf SOLIS Electronic Single Button
	0325320	EBV-320-A	Cover/Sensor/Assembly (Zurn) - Closet 1.6 & 1.28 gpf SOLIS Electronic Single Button Flush
	0372028	WES-28-A	Cover/Sensor/Assembly (Zurn) - Closet SOLIS Electronic Dual Flush
	0325321	EBV-321-A	Cover/Sensor/Assembly (Zurn) - Urinal 0.25 gpf SOLIS Electronic Single Button
2	0325311	EBV-311-A	Cover Assembly - SOLIS Electronic Dual Flush Flush
	0325309	EBV-309-A	Cover Assembly - SOLIS Electronic Single Button Flush
3	0325804	EBV-14	Locking Ring
	0305843	EBV-30	Locking Ring - for Zurn valves
4	0325312	EBV-312-A-C	Module - SOLIS - Water Closet
	0325313	EBV-312-A-U	Module - SOLIS - Urinal
	—	EBV-382-A	Module - SOLIS - 1.1 gpf Single Button Flush
	0372038	WES-33-A	Module - SOLIS - Water Closet (Dual Flush)
5	0325171	EBV-134	Cover Rest Plate
6	3325456	EBV-145-A	Inside Cover Assembly (includes solenoid)
7	3325453	EBV-136-A	Solenoid
8	†		Flex Tube Diaphragm Assembly
9	†		Flush Volume Regulator
10	†		Cartridge Assembly
11	3325814	EBV-1017-A	Handle Cap (RESS Retrofit Models Only)
12	0325107	EBV-91	Range Adjustment Tool
13	0305823	EBV-22	Strap Wrench
14	0325159	EBV-137	7/64" Hex Wrench
15	0372029	WES-27	English Plate (Dual Flush only)
	0372025	WES-29	Spanish Plate (Dual Flush only)

Items Included with Complete Sloan SOLIS® Valves Only

16	3308782	H-633-AA	1" (25 mm) Sweat Solder Kit
	3308788	H-636-AA	¾" (19 mm) Sweat Solder Kit
17	3308386	H-700-A	1" (25 mm) Bak-Chek® Control Stop
	3308384	H-700-A	¾" (19 mm) Bak-Chek® Control Stop
18	3325089	H-1010-A	Vandal Resistant Stop Cap
19	0305381	EBV-36-A	Valve Body
20A	—	V-600-AA	1½" (38 mm) x 10½" (229 mm) Vacuum Breaker (Model 8111)
	—	V-600-AA	1½" (38 mm) x 15" (584 mm) Vacuum Breaker (Model 8113)
	—	V-600-AA	1½" (38 mm) x 23" (584 mm) Vacuum Breaker (Model 8115)
	—	V-600-AA	1½" (38 mm) x 26" (660 mm) Vacuum Breaker (Model 8116)
20B	—	V-600-A	3" (76 mm) Vacuum Breaker Assembly
20C	—	V-600-AA	¾" (19 mm) x 10½" (229 mm) Vacuum Breaker (Model 8186)
21	—	F-109	1½" (38 mm) Elbow Flush Connection
22A	0306146	F-5-AT	1½" Spud Coupling Assembly (Models 8110, 8110 8115 & 8116)
22B	0306125	F-5-AW	¾" Spud Coupling Assembly (Model 8186)

† Part No. varies depending on flushometer model.

Manufactured in the U.S.A. by Sloan Valve Company under one or more of the following patents: U.S. Patents: D598,975; D599,436; 7,124,997. Other Patents Pending. BAK-CHEK®, PARA-FLO®, PERMEX®, TURBO-FLO®.