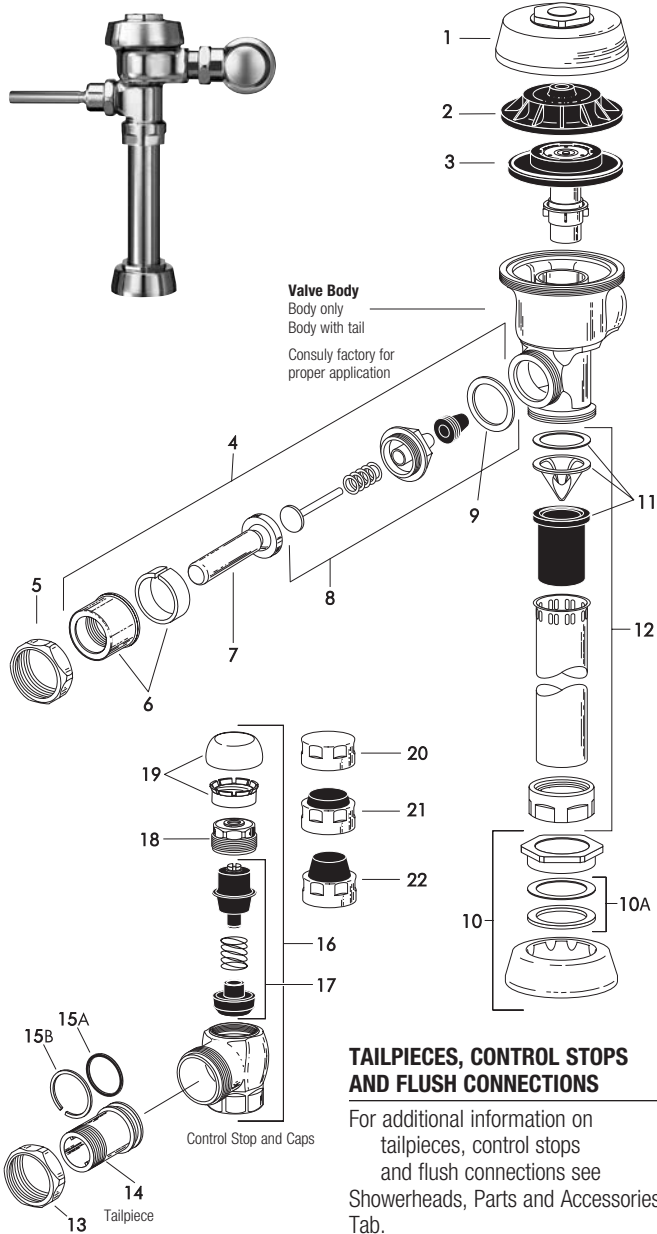


Royal® Flushometer



Valve Body
Body only
Body with tail
Consult factory for proper application

TAILPIECES, CONTROL STOPS AND FLUSH CONNECTIONS

For additional information on tailpieces, control stops and flush connections see Showerheads, Parts and Accessories Tab.

ITEM 10A. SLIP JOINT GASKETS AND RINGS

| Size | Code No. | Part No. | Description |
|-----------------|------------------------|----------|--------------------------------|
| 1-1/2" | 5306058 | F-3 | Red Friction Ring |
| | 5322001 | VBF-5 | Black Slip Joint Gasket |
| | 0319086/5319086 | S-30 | Flexible Seat |
| 1-1/2" x 1-1/4" | 0319079 | S-21 | Rigid Seat (rubber over brass) |
| | 0396062 | F-105 | Slip Joint Gasket – Rigid |
| 1-1/4" | 5306057 | F-3 | Red Friction Ring |
| | 5322176 | VBF-5 | Black Slip Joint Gasket |
| | 0307052/5307052 | G-21 | Rigid Seat (rubber over brass) |
| 1" | 5306056 | F-3 | Red Friction Ring |
| | 5306115 | F-5 | Black Slip Joint Gasket |
| | 5306055 | F-3 | Red Friction Ring |
| 3/4" | 5306055 | F-3 | Red Friction Ring |
| | 5306113 | F-5 | Black Slip Joint Gasket |

* See pages 102-103 for additional lengths
† For use with 1" and 3/4" H-700-A and 1" H-600-A Bak-Chek® screwdriver control stop
‡ For use with 3/4" H-600-A Bak-Chek® screwdriver control stop
RW for use with Reclaimed Water Flushometers

Sloan products are also available in satin, brushed nickel, chrome, gold and polished brass finishes – contact factory for part numbers.

PARTS LIST

| Item No. | Code No. | Part No. | Description |
|----------|--|-------------|--|
| 1. | 0301172PKA-72 | | CP Cover |
| | 0301435PKA-72-HE | | CP High Efficiency Cover |
| 2. | 0301168 | A-71 | Inside Cover |
| | 0301336 | A-71-1 | Inside Cover (Purple) |
| 3. | — | | Dual-Filtered Bypass Diaphragm Assembly (refer to table and diagram on following page) |
| 4. | 0302390 | B-73-A | CP ADA-Compliant Triple Seal Handle Assembly |
| | 0302267 | B-73-A-PH | CP ADA-Compliant Triple Seal Handle Assembly |
| 5. | 0301082 | A-6 | CP Handle Coupling |
| 6. | 0302109 | B-7-A | CP Socket Assembly |
| 7. | 0302389 | B-74-A | CP ADA-Compliant Handle |
| | 0302264 | B-74-A-PH | CP ADA-Compliant Handle (Purple Handle) |
| 8. | 3302306 | B-51-A | Triple Seal Handle Repair Kit |
| 9. | 5301139 | A-31 | Handle Gasket – 48 per package |
| 10. | 0306125 | F-5-AW | 3/4" (19 mm) CP Spud Coupling Assembly |
| | 0306140 | F-5-AU | 1-1/4" (32 mm) CP Spud Coupling Assembly |
| | 0306146 | F-5-AT | 1-1/2" (38 mm) CP Spud Coupling Assembly |
| 10A. | SEE SLIP JOINT GASKETS AND RINGS TABLE BELOW LEFT | | |
| 11. | 3323182 | V-651-A | High Back Pressure Vacuum Breaker Repair Kit |
| 12. | 3393004 | V-600-AA | 3/4" (19 mm) x 9" (228 mm) CP Vacuum Breaker |
| | 3393006 | V-600-AA | 1-1/4" (32 mm) x 9" (228 mm) CP Vacuum Breaker |
| | 3393007 | V-600-AA | 1-1/2" (38 mm) x 9" (228 mm) CP Vacuum Breaker |
| 13. | 0308676 | H-550 | CP Stop Coupling |
| 14. | 0308801 | H-551-A | CP Adjustable Tailpiece 2-1/16" (52 mm long) Standard Length* |
| 15A. | 5308696 | H-553 | O-ring – 24 per package |
| 15B. | 5308381 | H-552 | Locking Ring – 12 per package |
| 16. | 3308386 | H-700-A | 1" (25 mm) CP Bak-Chek® Screwdriver Stop |
| | 0388141 | H-700-A-RW | 1" (25 mm) CP Bak-Chek® Screwdriver Stop |
| | 3308384 | H-700-A | 3/4" (19 mm) CP Bak-Chek® Screwdriver Stop |
| | 0388142 | H-700-A-RW | 3/4" (19 mm) CP Bak-Chek® Screwdriver Stop |
| | 3308853 | H-541-ASD | Control Stop Repair Kit † |
| 17. | 3308856 | H-543-ASD | Control Stop Repair Kit † |
| | 0308612 | H-622 | CP Bonnet † |
| 18. | 0308892 | H-608-RW | CP Bonnet † |
| | 0308843 | H-577 | CP Bonnet † – DISCONTINUED |
| 19. | 3308772 | H-1010-A | Vandal Resistant Control Stop Cap Assembly † |
| | 3308790 | H-1009-A | Vandal Resistant Control Stop Cap Assembly † H-600 3/4" Stop only |
| 20. | 0308738 | H-573 | Control Stop Cap CP † |
| | 0308848 | H-582 | Control Stop Cap CP † |
| 21. | 3308866 | H-574 | Control Stop Cap with Bumper † (-YO Variation) |
| | | H-576 | Control Stop Cap with Extended Bumper † (-YG Variation) |
| 22. | 3308867 | H-576 | Control Stop Cap with Extended Bumper † (-YG Variation) |
| 23. | 3388015 | H-1015 | Flow Control Kit (not Shown) (HEU Only) |
| 24. | 3308735 | H-634-AA-RW | 1" (25 mm) Sweat Solder Kit w/ Cast Set Screw Purple Flange (not shown) |
| | | H-636-AA-RW | 3/4" (19 mm) Sweat Solder Kit w/ Cast Set Screw Flange (not shown) |
| 24. | 3308736 | H-636-AA | 1" (25 mm) Sweat Solder Kit w/ Cast Set Screw Purple Flange (not shown) |
| | | H-636-AA | 3/4" (19 mm) Sweat Solder Kit w/ Cast Set Screw Flange (not shown) |
| 24. | 3308785 | H-636-AA | 1" (25 mm) Sweat Solder Kit w/ Cast Set Screw Purple Flange (not shown) |
| | | H-636-AA | 3/4" (19 mm) Sweat Solder Kit w/ Cast Set Screw Flange (not shown) |
| 24. | 3308788 | H-636-AA | 1" (25 mm) Sweat Solder Kit w/ Cast Set Screw Purple Flange (not shown) |
| | | H-636-AA | 3/4" (19 mm) Sweat Solder Kit w/ Cast Set Screw Flange (not shown) |

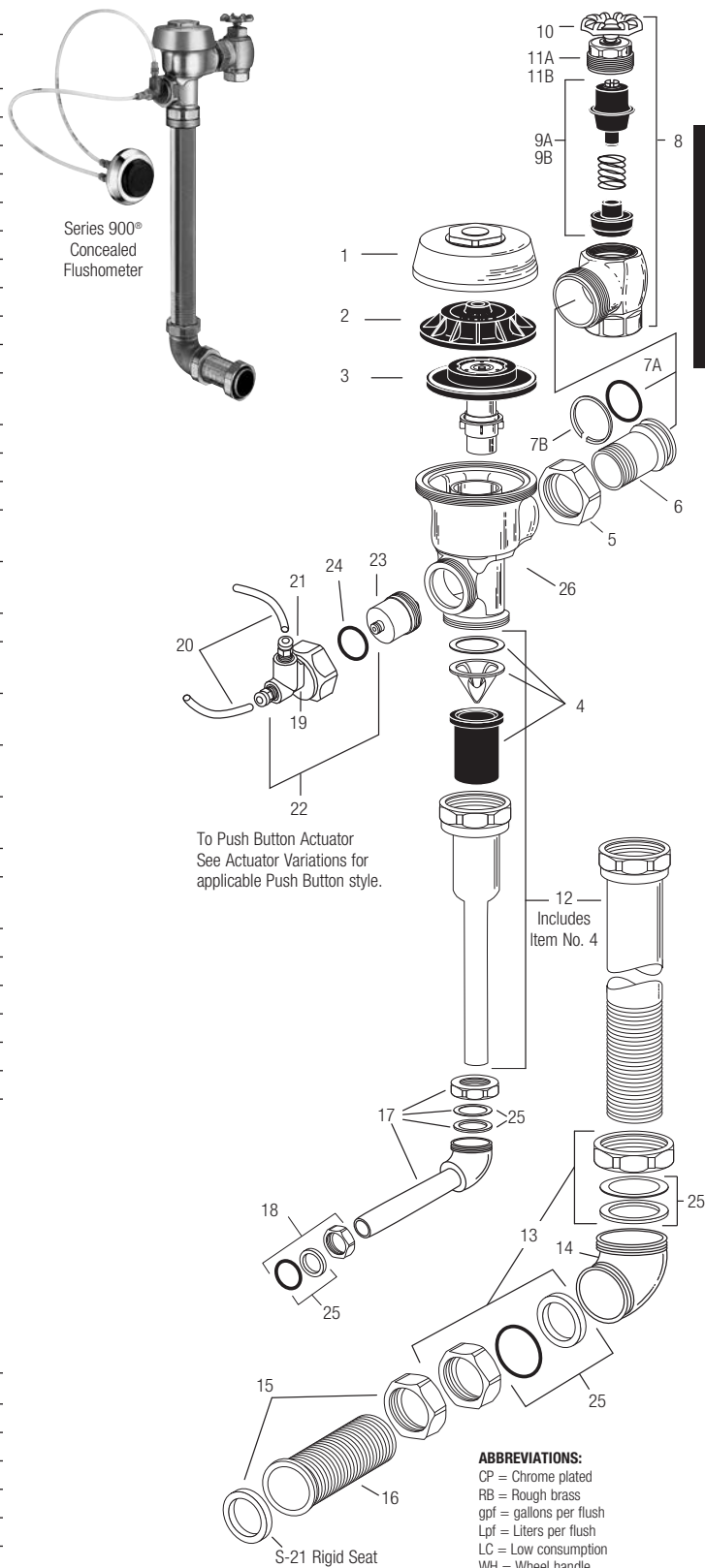
Series 900® Flushometer

PARTS LIST FOR SERIES 900® CONCEALED FLUSHOMETER

| Item No. | Code No. | Part No. | Description |
|----------|---|----------|--|
| 1. | 0301173 | A-72 | RB Royal® Cover |
| 2. | 0301168 | A-71 | Inside Cover |
| 3. | SEE THE INSIDE PARTS KIT CHART ON NEXT PAGE | | |
| 4. | 3323182 | V-651-A | Vacuum Breaker Repair Kit |
| 5. | 0308690 | H-550 | RB Tailpiece Coupling |
| 6. | 0308802 | H-551-A | RB Adjustable Tailpiece, 2-1/16" (52 mm) |
| 7A. | 5308696 | H-553 | O-ring – 24 per package |
| 7B. | 5308381 | H-552 | Locking ring – 12 per package |
| 8. | 0388010 | H-730-A | RB Wheel Handle Bak-Chek® Control Stop |
| 9A. | 3308855 | H-541-A | 1" Wheel Handle Repair Kit for H-730-A Control Stop |
| 9B. | 3308858 | H-543-A | 3/4" Wheel Handle Repair Kit for H-730-A Control Stop |
| 10. | 0308919 | H-558-A | Wheel Handle |
| 11A. | 0208083 | H-623 | 1" RB Bonnet |
| 11B. | 0208083 | H-623 | 3/4" RB Bonnet |
| 12. | See page 111 | V-500-AA | Royal Vacuum Breaker Flush Connection (specify length and size) |
| 13. | 0306619 | F-2-AA | 1-1/2" (38 mm) RB Couplings (2 each), Friction Rings (2 each), and Rubber Gaskets (2 each) |
| 14. | 0206146 | F-21 | RB Elbow |
| 15. | 0306091 | F-2-A | 1-1/2" (38 mm) RB Coupling and S-21 Flat Rigid Gasket |
| 16. | See pages 111-116 | F-100 | RB Flared End Flush Connection (specify length) |
| 17. | See pages 111-116 | F-15-A | 3/4" (19 mm) RB Elbow Flush Connection with Coupling and Rubber Gasket (specify length) |
| 18. | 0306054 | F-2-A | 3/4" (19 mm) RB Coupling, Friction Ring, and Rubber Gasket |
| 19. | 0318024 | HY-25 | RB Valve Actuator Housing ONLY |
| 20. | 0318093 | HY-30 | 1/4" (6 mm) x 48" (1219 mm) Connecting Tubes (2 required) |
| 21. | 0301082 | A-6 | RB Handle Coupling Nut |
| 22. | 3318005 | HY-109-A | Actuator Housing Assembly (includes items 21 & 24) |
| 23. | 3318001 | HY-83-A | Actuator Cartridge Assembly |
| 24. | 0337086 | DO-22 | O-ring for HY-109-A Adapter |
| 25. | SEE SLIP JOINT GASKETS AND RINGS TABLE BELOW | | |
| 26. | 0301050 | A143-A | RB Valve Body |

ITEM 27. SLIP JOINT GASKETS AND RINGS

| Size | Code No. | Part No. | Description |
|-----------------|-----------------|----------|--------------------------------|
| 1-1/2" | 5306058 | F-3 | Red Friction Ring |
| | 5322001 | VBF-5 | Black Slip Joint Gasket |
| | 0319086/5319086 | S-30 | Flexible Seat |
| | 0319079 | S-21 | Rigid Seat (rubber over brass) |
| 1-1/2" x 1-1/4" | 0396062 | F-105 | Slip Joint Gasket – Rigid |
| 1-1/4" | 5306057 | F-3 | Red Friction Ring |
| | 5322176 | VBF-5 | Black Slip Joint Gasket |
| | 0307052/5307052 | G-21 | Rigid Seat (rubber over brass) |
| 1" | 5306056 | F-3 | Red Friction Ring |
| | 5306115 | F-5 | Black Slip Joint Gasket |
| 3/4" | 5306055 | F-3 | Red Friction Ring |
| | 5306113 | F-5 | Black Slip Joint Gasket |



ABBREVIATIONS:
 CP = Chrome plated
 RB = Rough brass
 gpf = gallons per flush
 Lpf = Liters per flush
 LC = Low consumption
 WH = Wheel handle

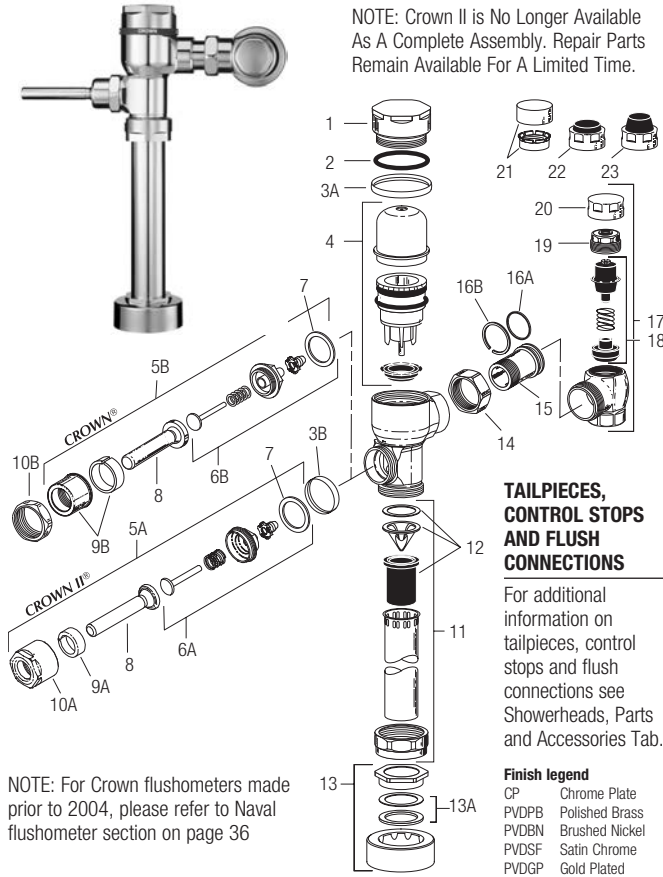
TAILPIECES, CONTROL STOPS, PUSH BUTTONS AND FLUSH CONNECTIONS

For additional information on tailpieces, control stops, push buttons and flush connections see Showerheads, Parts and Accessories Tab.

Crown® Flushometer

Crown® II (Obsolete)

Manual Flushometers



NOTE: Crown II is No Longer Available As A Complete Assembly. Repair Parts Remain Available For A Limited Time.

TAILPIECES, CONTROL STOPS AND FLUSH CONNECTIONS

For additional information on tailpieces, control stops and flush connections see Showerheads, Parts and Accessories Tab.

Finish legend

| | |
|-------|----------------|
| CP | Chrome Plate |
| PVDPB | Polished Brass |
| PVDBN | Brushed Nickel |
| PVDSF | Satin Chrome |
| PVDGP | Gold Plated |

NOTE: For Crown flushometers made prior to 2004, please refer to Naval flushometer section on page 36

PARTS LIST

| Item No. | Code No. | Part No. | Description |
|----------|----------|-----------|--|
| 1. | 0332006 | CR-116 | CP Cover |
| 2. | 0332030 | CR-133 | Cover O-ring |
| 3. | 0332045 | CR-132-A | CP Handle and Cover Trim Ring Kit (Includes items 3A & 3B) (CROWN® II ONLY) |
| | 0332046 | CR-132-A | PVDPB Handle and Cover Trim Ring Kit (Includes items 3A & 3B) (CROWN® II ONLY) |
| | 0332048 | CR-132-A | PVDBN Handle and Cover Trim Ring Kit (Includes items 3A & 3B) (CROWN® II ONLY) |
| | 0332049 | CR-132-A | PVDSF Handle and Cover Trim Ring Kit (Includes items 3A & 3B) (CROWN® II ONLY) |
| 3A. | 0332035 | CR-134 | Cover Trim Ring (CROWN® ONLY) |
| | 0332009 | CR-120 | PVDPB Cover Trim Ring (CROWN® II ONLY) |
| | 0332032 | CR-120 | PVDGP Cover Trim Ring (CROWN® II ONLY) |
| | 0332033 | CR-120 | PVDBN Cover Trim Ring (CROWN® II ONLY) |
| | 0332034 | CR-120 | PVDSF Cover Trim Ring (CROWN® II ONLY) |
| 3B. | 0332005 | CR-113 | PVDPB Handle Trim Ring (CROWN® II ONLY) |
| | 0332028 | CR-113 | PVDBN Handle Trim Ring (CROWN® II ONLY) |
| | 0332029 | CR-113 | PVDSF Handle Trim Ring (CROWN® II ONLY) |
| 4. | 3332003 | CR-1004-A | Piston Kit – 1.6 gpf (6.0 Lpf) Water Closet |
| | 3332013 | CR-1011-A | Piston Kit – 1.28 gpf (4.8 Lpf) Water Closet |
| | 3332004 | CR-1005-A | Piston Kit – 1.0 gpf (3.8 Lpf Urinal) |
| | 3332005 | CR-1006-A | Piston Kit – 0.5 gpf (1.9 Lpf) Urinal |
| | 3332017 | CR-1015-A | Piston Kit – 0.25 gpf (1.0 Lpf) Urinal |
| | 3332016 | CR-1014-A | Piston Kit – 0.125 gpf (0.5 Lpf) Urinal |

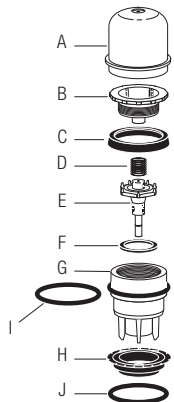
ALL PISTON KITS INCLUDE MAIN SEAT (see item 4 table to right) AND CR-124-A INSIDE COVER ASSEMBLY AS SHOWN IN ITEM 4. PISTON KIT COMPONENTS TABLE TO THE RIGHT.

| Item No. | Code No. | Part No. | Description |
|----------|--|-----------|--|
| 5A. | 0302353 | B-30-A | ADA-Compliant Handle Assembly CP |
| 5B. | 0302390 | B-73-A | ADA-Compliant Handle Assembly CP |
| 6A. | 3332006 | CR-1007 | Handle Repair Kit |
| 6B. | 3302306 | B-51-A | Handle Repair Kit |
| 7. | 5301139 | A-31 | Handle Gasket – 48/pkg |
| 8. | 0302389 | B-74-A | Handle Grip Sub-Assembly ADA |
| 9A. | 0302309 | B-56 | Sleeve |
| 9B. | 0302109 | B-7-A | CP Socket Assembly |
| 10A. | 0302354 | B-53 | Handle Socket |
| 10B. | 0301082 | A-6 | CP Handle Coupling |
| 11. | 3393004 | V-600-AA | 3/4" x 9" (19 x 229 mm) Vacuum Breaker - 6/pkg |
| | 3393006 | V-600-AA | 1-1/4" x 9" (32 x 229 mm) Vacuum Breaker - 6/pkg |
| | 3393007 | V-600-AA | 1-1/2" x 9" (38 x 229 mm) Vacuum Breaker - 6/pkg |
| 12. | 3323182 | V-651-A | High Back Pressure Vacuum Breaker Repair Kit |
| 13. | 3332000 | CR-1008-A | 3/4" (19 mm) Spud Coupling Assembly |
| | 3332001 | CR-1009-A | 1-1/4" (32 mm) Spud Coupling Assembly |
| | 3332002 | CR-1010-A | 1-1/2" (38 mm) Spud Coupling Assembly |
| 13A. | SEE SLIP JOINT GASKETS AND RINGS TABLE ON BOTTOM, PAGE 25 | | |
| 14. | 0308676 | H-550 | Stop Coupling |
| 15. | 0308801 | H-551-A | Adjustable Tailpiece (2-1/16" (52 mm) long) |
| 16A. | 5308696 | H-553 | O-ring – 24/pkg |
| 16B. | 5308381 | H-552 | Locking Ring – 12/pkg |
| 17. | 0388000 | H-700-A | 1" Screwdriver Bak-Chek® Stop CP |
| | 0388001 | H-700-A | 3/4" Screwdriver Bak-Chek® Stop CP |
| 18. | 3308853 | H-541-ASD | Control Stop Repair Kit† |
| | 3308856 | H-543-ASD | Control Stop Repair Kit† for 3/4" Stops H-600, H-640 |
| 19. | 0308612 | H-622 | CP Bonnet † |
| | 0308843 | H-577 | CP Bonnet † – OBsolete |
| 20. | 3308840 | H-573-A | Locking Vandal Resistant Control Stop Cap includes H-573 Stop Cap CP and H-648 Friction Ring † |
| | 0308848 | H-582 | Locking Vandal Resistant Control Stop Cap CP † |
| 21. | 3308651 | H-651 | Vandal Resistant Control Stop Cap Assembly † |
| 22. | 3308866 | H-574 | Control Stop Cap w/Bumper (-YO Variation) † |
| 23. | 3308867 | H-576 | Control Stop Cap w/Extended Bumper (-YG Variation)† |
| 24. | 3388017 | H-1017 | Flow Control (HEU Only) (Not Shown) |
| — | 0305190 | EL-190-A | Handle Adapter (manual only) for Optima® version |

† For use w/H-700-A 1" & 3/4" and H-600-A 1" Screwdriver Bak-Chek® Control Stops.
‡ For use w/H-600-A 3/4" Screwdriver Bak-Chek® Control Stops.

ITEM 4. PISTON KIT COMPONENTS

| Item | Code No. | Part No. | Description |
|------|----------|----------|---|
| A. | *** | CR-124-A | Inside Cover Sub-Assembly |
| B. | *** | *** | Piston Cover |
| C. | 5332095 | CR-68-A | Molded Cup – 12/pkg |
| D. | 5328019 | SH-406 | Spring – 12/pkg |
| E. | *** | *** | Relief Valve |
| F. | 0307116 | G-95 | Relief Valve Seat |
| G. | *** | *** | Piston Body |
| H. | *** | CR-125-A | Main Seat – 6/pkg (1.0 gpf) |
| | *** | CR-170-A | Main Seat – 6/pkg (0.125 gpf, 0.25 gpf and 0.5 gpf) |
| I. | 0307210 | G-85 | Filter O-ring |
| J. | 0332124 | CR-169 | O-ring (for use with CR-125-A main seat ONLY)* |
| | 5308958 | H-589 | O-ring* 6/pkg |



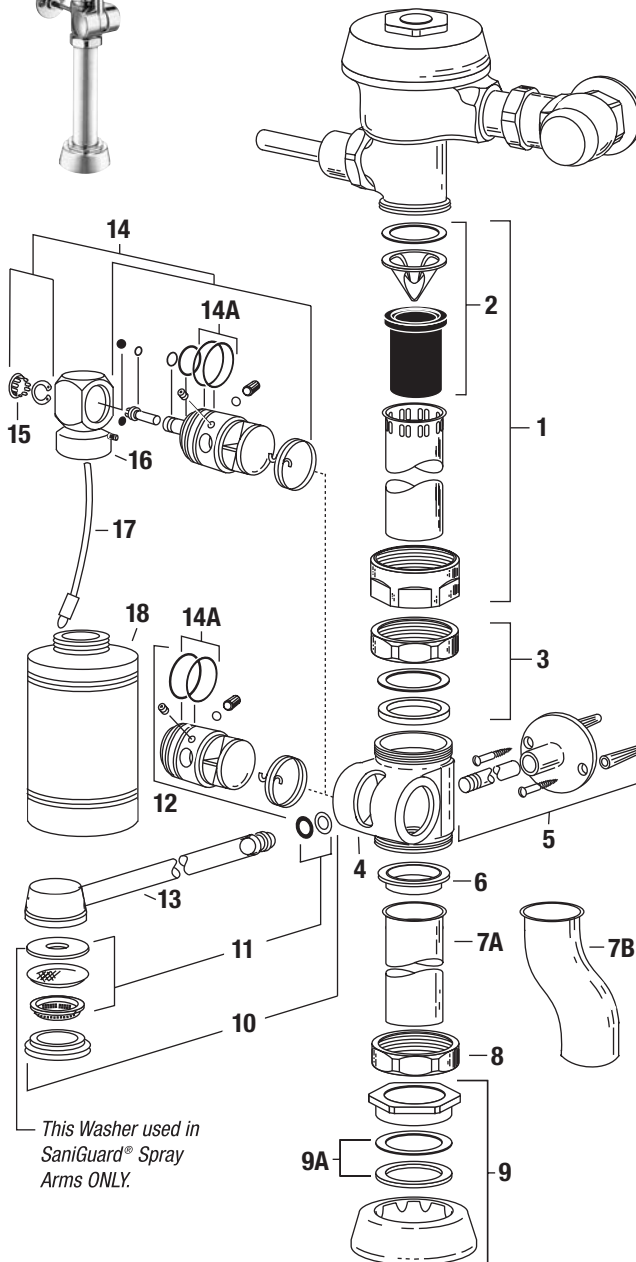
* Components are NOT interchangeable
*** Indicates component is NOT available separately

Slimline® Bedpan Washer Flushometer

Manual Flushometers



See Royal® flushometer on Page 7 for all parts kits and components



This Washer used in SaniGuard® Spray Arms ONLY.

PARTS LIST

| Item No. | Code No. | Part No. | Description |
|----------|--|-----------|--|
| 1. | 0393009 | V-600-AA | 1-1/2" x 21-1/2" CP Vacuum Breaker |
| | 0393008 | V-600-AA | 1-1/2" x 13-1/2" CP Vacuum Breaker (ADA height) |
| | 0393029 | V-600-AA | 1-1/2" x 21-1/2" CP Vacuum Breaker w/2" Offset |
| 2. | 3323182 | V-651-A | Vacuum Breaker Repair Kit |
| 3. | 0306093 | F-2-A | 1-1/2" Slip Joint Coupling |
| 4. | 0309001 | DV-1 | Diverter Valve Body (non-Deo-septic bottle) |
| | 0309052 | DV-17 | Diverter Valve Body (Deo-septic bottle) |
| 5. | 3309035 | DV-1001-A | Wall Support Kit |
| 6. | 0309027 | F-1003 | Outlet Tube Gasket – for Flanged Tubes only |
| 7A. | 0309029 | F-1005 | Outlet Tube |
| 7B. | 0396525 | F-182 | Outlet Tube w/1-1/2" Offset |
| 8. | 0306045 | F-2 | 1-1/2" Coupling Nut |
| 9. | 0306146 | F-5-A | 1-1/2" Spud Coupling Assembly |
| 9A. | SEE SLIP JOINT GASKETS AND RINGS TABLE ON BOTTOM, PAGE 30 | | |
| 10. | 3309044 | DV-32-AA | 12" Spray Arm Replacement Kit |
| | 3309077 | DV-1014-A | Short Spray Arm Replacement Kit (for use with F-182 Offset Outlet Tube) |
| 11. | 3309032 | DV-1007-A | Spray Arm Repair Kit |
| 12. | 3309037 | DV-1003-A | Pivot Replacement Kit |
| — | 0309021 | DV-55-A | Diverter Valve Assembly and 12" Spray Arm Assembly includes: 3, 4, 8, 10, 12 |
| — | 0309022 | DV-69-A | Diverter Valve Assembly and 10" Spray Arm Assembly includes: 3, 4, 8, 10, 12 |
| 13. | 3309015 | DV-1017-A | Repair Kit 15" Sanigard® Spray Arm |

DEOSEPTIC UNIT PARTS

| Item No. | Code No. | Part No. | Description |
|----------|----------------|-----------|--|
| 14. | 3309036 | DV-1002-A | Deo-septic Pivot Replacement Kit |
| 14A. | 5337075 | DO-6 | O-ring-Piston – 2 required – 6 per package |
| 14B. | 0309004 | DV-4 | Set Screw |
| 14C. | 0309016 | DV-16 | Diverter Valve Seal Washer |
| 14D. | 0309014 | DV-14 | Diverter Valve Seal |
| 15. | 0309024 | DV-21 | Plug Button |
| 16. | 0309033 | DV-33-A | Swivel & ball check Assembly |
| 17. | 0309036 | DV-36-A | Aspirator Tube Assembly |
| 18. | 0309018 | DV-29 | Deo-septic Solution Bottle |

BEDPAN WASHER REBUILD KITS

| Code No. | Part No. | Description |
|----------------|-----------|--|
| 5309031 | DV-50-A | Diverter Rebuild Kit Includes Outlet Tube Gasket (Item 6), Spray Arm Repair Kit (Item 11), and all Items in Pivot Replacement Kit (Item 12) except Pivot. |
| 3309040 | DV-1004-A | Deo-septic Diverter Rebuild Kit Includes Outlet Tube Gasket (Item 6), Spray Arm Repair Kit (Item 11), and all Items in Pivot Replacement Kit (Item 13) except Pivot. |

To convert a standard diverter assembly to a deo-septic diverter assembly use:

| | | |
|----------------|-----------|---------------------------|
| 3309048 | DV-1005-A | Deo-septic Conversion Kit |
|----------------|-----------|---------------------------|

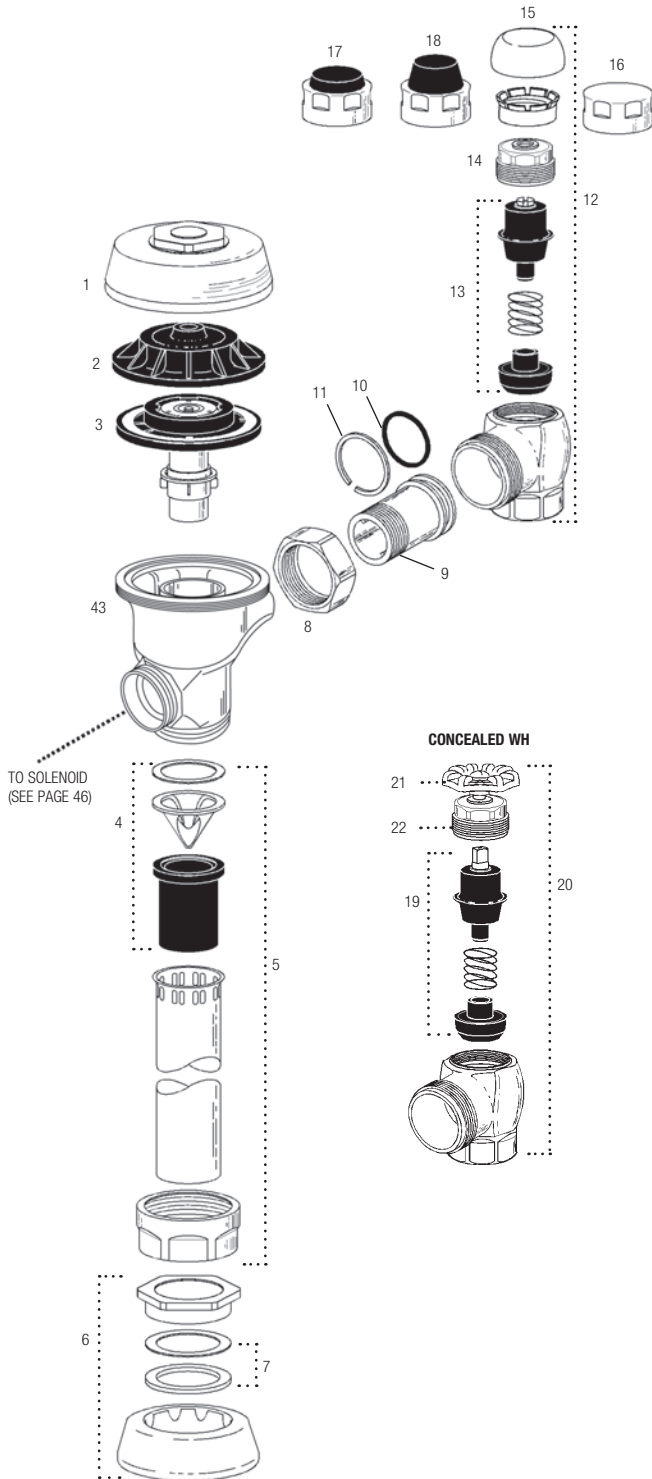
SANIGUARD® HANDLE ASSEMBLY

| Code No. | Part No. | Description |
|----------------|-----------|--|
| 0302230 | B-73-A-SG | Handle Assembly CP (ADA compliant) with Sani-Guard |

Optima® Royal® Flushometers

OPTIMA® ROYAL® FLUSHOMETER PARTS LIST

| Item No. | Code No. | Part No. | Description |
|----------|--|------------|---|
| 1. | 0301172 | A-72 | CP Cover |
| 2. | 0301168 | A-71 | Inside Cover |
| 3. | SEE DIAPHRAGM ASSEMBLY CHART ON PAGE 42 | | |
| 4. | 3323182 | V-651-A | Vacuum Breaker Repair Kit |
| 5. | 3393004 | V-600-AA | 3/4" (19 mm) x 9" (229 mm) CP Vacuum Breaker |
| | 3393006 | V-600-AA | 1-1/4" (32 mm) x 9" (229 mm) CP Vacuum Breaker |
| | 3393007 | V-600-AA | 1-1/2" (38 mm) x 9" (229 mm) CP Vacuum Breaker |
| 6. | 0306125 | F-5-AW | 3/4" (19 mm) CP Spud Coupling Assembly |
| | 0306140 | F-5-AU | 1-1/4" (32 mm) CP Spud Coupling Assembly |
| | 0306146 | F-5-AT | 1-1/2" (38 mm) CP Spud Coupling Assembly |
| 7. | SEE SLIP JOINT GASKETS AND RINGS TABLE ON ITEM 31A ON NEXT PAGE | | |
| 8. | 0308676 | H-550 | CP Stop Coupling |
| 9. | 0308801 | H-551-A | CP Adjustable Tail 2-1/16" (52 mm) long |
| 10. | 5308696 | H-553 | O-Ring – 24 per package |
| 11. | 5308381 | H-552 | Locking ring – 12 per package |
| 12. | 3308386 | H-700-A | 1" (25 mm) Screwdriver Bak-Chek® Angle Stop CP – complete |
| | 3308384 | H-700-A | 3/4" (19 mm) Screwdriver Bak-Chek® Angle Stop CP – complete |
| 13. | 3308853 | H-541-A-SD | Control Stop Repair Kit for use with 1" (25 mm) H-700-A & 3/4" (19 mm) H-700-A, 1" (25 mm) H-600-A, 1" (25 mm) & 3/4" (19 mm) H-700-A and 1" (25 mm) H-540-A SD Stops |
| | 3308856 | H-543-A-SD | Control Stop Repair Kit for use with 3/4" (19 mm) H-600-A and H-540-A SD Stops |
| 14. | 0308612 | H-622 CP | Bonnet for use with 1" (25 mm) & 3/4" (19 mm) H-700-A and 1" (25 mm) H-600-A SD Stops |
| | 0308843 | H-577 | CP Bonnet for use with 3/4" (19 mm) H-600-A SD Stops – OBSOLETE |
| 15. | 3308772 | H-1010-A | 1" (25 mm) Vandal Resistant Control Stop Cap Assembly for use with 1" (25 mm) & 3/4" (19 mm) H-700-A and 1" (25 mm) H-600-A SD Stops |
| | 3308790 | H-1009-A | 3/4" (19 mm) Vandal Resistant Control Stop Cap Assembly for use with 3/4" (19 mm) H-600-A SD Stops |
| 16. | 0308840 | H-573 | 1" (25 mm) Control Stop Cap CP for use with 1" (25 mm) & 3/4" (19 mm) H-700-A and 1" (25 mm) H-600-A SD Stops |
| | 0308848 | H-582 | 3/4" (19 mm) Control Stop Cap CP for use with 3/4" (19 mm) H-600-A SD Stops |
| 17. | 3308866 | H-574 | 1" (25 mm) Control Stop Cap with Bumper for use with 1" (25 mm) & 3/4" (19 mm) H-700-A and 1" (25 mm) H-600-A SD Stops |
| 18. | 3308867 | H-576 | 1" (25 mm) Control Stop Cap with Extended Bumper for use with 1" (25 mm) & 3/4" (19 mm) H-700-A and 1" (25 mm) H-600-A SD Stops |
| 19. | 3308860 | H-1006-A | Repair Kit for 1" (25 mm) Stops with Concealed WH for use with 1" (25 mm) H-700-A, H-600-A, and H-543-AWH WH Series Stops |
| | 3308859 | H-1007-A | Repair Kit 3/4" (19 mm) Stops with Concealed WH for use with 3/4" (19 mm) H-700-A WH Series Stops |
| 20. | 0388010 | H-730-A | 1" (25 mm) Concealed WH Bak-Chek® Angle Stop RB |
| | 0388011 | H-730-A | 3/4" (19 mm) Concealed WH Bak-Chek® Angle Stop RB |
| 21. | 3308872 | H-1011-A | Repair Kit (for Concealed WH only; does not include bonnet) |
| 42. | 0208083 | H-623 | Bonnet |
| | 0308705 | H-561 | Bonnet – OBSOLETE |
| 43. | 0301048 | A-143-A | CP Valve Body |
| | 0301050 | A-143-A | RB Valve Body |
| | 3388015 | H-1015-A | Flow Control Kit (HEU Only (not Shown)) |



ABBREVIATIONS:
 CP Chrome Plated
 RB Rough Brass
 SD Screwdriver
 WH Wheel Handle
 gpf gallons per flush
 Lpf Liters per flush

Sensor Flushometers