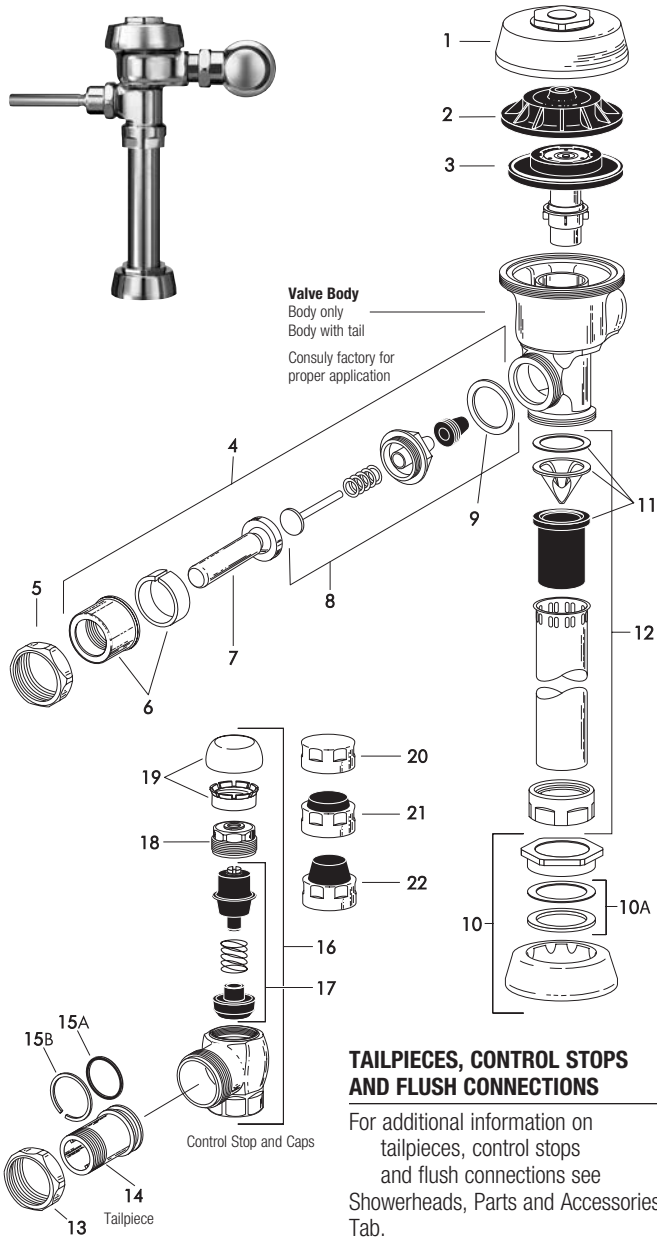


Royal® Flushometer



PARTS LIST

Item No.	Code No.	Part No.	Description
1.	0301172PKA-72		CP Cover
	0301435PKA-72-HE		CP High Efficiency Cover
2.	0301168	A-71	Inside Cover
	0301336	A-71-1	Inside Cover (Purple)
3.	—		Dual-Filtered Bypass Diaphragm Assembly (refer to table and diagram on following page)
4.	0302390	B-73-A	CP ADA-Compliant Triple Seal Handle Assembly
	0302267	B-73-A-PH	CP ADA-Compliant Triple Seal Handle Assembly
5.	0301082	A-6	CP Handle Coupling
6.	0302109	B-7-A	CP Socket Assembly
7.	0302389	B-74-A	CP ADA-Compliant Handle
	0302264	B-74-A-PH	CP ADA-Compliant Handle (Purple Handle)
8.	3302306	B-51-A	Triple Seal Handle Repair Kit
9.	5301139	A-31	Handle Gasket – 48 per package
10.	0306125	F-5-AW	3/4" (19 mm) CP Spud Coupling Assembly
	0306140	F-5-AU	1-1/4" (32 mm) CP Spud Coupling Assembly
	0306146	F-5-AT	1-1/2" (38 mm) CP Spud Coupling Assembly
10A.	SEE SLIP JOINT GASKETS AND RINGS TABLE BELOW LEFT		
11.	3323182	V-651-A	High Back Pressure Vacuum Breaker Repair Kit
12.	3393004	V-600-AA	3/4" (19 mm) x 9" (228 mm) CP Vacuum Breaker
	3393006	V-600-AA	1-1/4" (32 mm) x 9" (228 mm) CP Vacuum Breaker
	3393007	V-600-AA	1-1/2" (38 mm) x 9" (228 mm) CP Vacuum Breaker
13.	0308676	H-550	CP Stop Coupling
14.	0308801	H-551-A	CP Adjustable Tailpiece 2-1/16" (52 mm long) Standard Length*
15A.	5308696	H-553	O-ring – 24 per package
15B.	5308381	H-552	Locking Ring – 12 per package
16.	3308386	H-700-A	1" (25 mm) CP Bak-Chek® Screwdriver Stop
	0388141	H-700-A-RW	1" (25 mm) CP Bak-Chek® Screwdriver Stop
	3308384	H-700-A	3/4" (19 mm) CP Bak-Chek® Screwdriver Stop
	0388142	H-700-A-RW	3/4" (19 mm) CP Bak-Chek® Screwdriver Stop
17.	3308853	H-541-ASD	Control Stop Repair Kit †
	3308856	H-543-ASD	Control Stop Repair Kit †
18.	0308612	H-622	CP Bonnet †
	0308892	H-608-RW	CP Bonnet †
	0308843	H-577	CP Bonnet † – DISCONTINUED
19.	3308772	H-1010-A	Vandal Resistant Control Stop Cap Assembly †
	3308790	H-1009-A	Vandal Resistant Control Stop Cap Assembly † H-600 3/4" Stop only
20.	0308738	H-573	Control Stop Cap CP †
	0308848	H-582	Control Stop Cap CP †
21.	3308866	H-574	Control Stop Cap with Bumper † (-YO Variation)
22.	3308867	H-576	Control Stop Cap with Extended Bumper † (-YG Variation)
23.	3388015	H-1015	Flow Control Kit (not Shown) (HEU Only)
24.	3308735	H-634-AA-RW	1" (25 mm) Sweat Solder Kit w/ Cast Set Screw Purple Flange (not shown)
	3308736	H-636-AA-RW	3/4" (19 mm) Sweat Solder Kit w/ Cast Set Screw Flange (not shown)
	3308785	H-636-AA	1" (25 mm) Sweat Solder Kit w/ Cast Set Screw Purple Flange (not shown)
	3308788	H-636-AA	3/4" (19 mm) Sweat Solder Kit w/ Cast Set Screw Flange (not shown)

ITEM 10A. SLIP JOINT GASKETS AND RINGS

Size	Code No.	Part No.	Description
1-1/2"	5306058	F-3	Red Friction Ring
	5322001	VBF-5	Black Slip Joint Gasket
	0319086/5319086	S-30	Flexible Seat
	0319079	S-21	Rigid Seat (rubber over brass)
1-1/2" x 1-1/4"	0396062	F-105	Slip Joint Gasket – Rigid
1-1/4"	5306057	F-3	Red Friction Ring
	5322176	VBF-5	Black Slip Joint Gasket
	0307052/5307052	G-21	Rigid Seat (rubber over brass)
1"	5306056	F-3	Red Friction Ring
	5306115	F-5	Black Slip Joint Gasket
	3/4"	5306055	F-3
5306113		F-5	Black Slip Joint Gasket

* See pages 102-103 for additional lengths

† For use with 1" and 3/4" H-700-A and 1" H-600-A Bak-Chek® screwdriver control stop

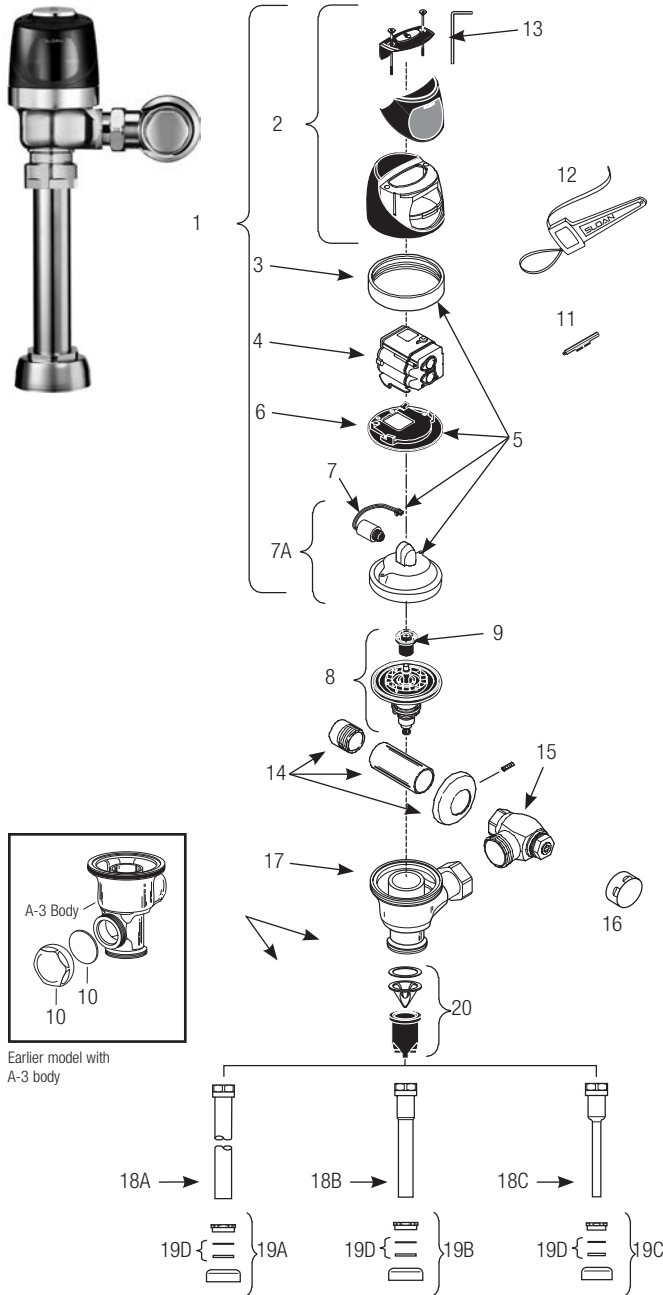
‡ For use with 3/4" H-600-A Bak-Chek® screwdriver control stop

RW for use with Reclaimed Water Flushometers

Sloan products are also available in satin, brushed nickel, chrome, gold and polished brass finishes – contact factory for part numbers.

Optima® Sloan Flushometer

Sensor Flushometers



PARTS LIST

Item No.	Code No.	Part No.	Description
1.	0325298	EBV-189-A	Cover/Ring/Sensor Assembly - Water Closet
	0325299	EBV-190-A	Cover/Ring/Sensor Assembly - Urinal
	0325239	EBV-198-A	Cover/Ring/Sensor Assembly - Water Closet w/ Zurn ring
	0325240	EBV-199-A	Cover/Ring/Sensor Assembly - Urinal w/Zurn ring
2.	0325241	EBV-192-A	Cover Assembly
3.	N/A	EBV-168	Locking Ring - Plastic inner cover only – Use 3325089 , EBV-1010-A
	0305843	EBV-14	Locking Ring - Metal inner cover only
	0305843	EBV-30-A	Locking Ring - for Zurn valves
4.	3325450	EBV-129-A-C	Electronic Module - Water Closet
	3325451	EBV-129-A-U	Electronic Module - Urinal
5.	3325089	EBV-1010-A	Metal Inner Cover Repair Kit Includes Items Nos. 3, 5, 6 and 7
6.	0325171	EBV-134	Cover Rest Plate
7.	3325453	EBV-136-A	Solenoid
7A.	3325456	EBV-145-A	Inside Cover Assembly (includes solenoid EBV-136-A) Does not replace Plastic Inner Cover. Use Item No. 5
8.	SEE CHART NEXT PAGE		Flex Tube Diaphragm Assembly
9.	SEE CHART NEXT PAGE		Flush Volume Regulator
10.	0325286	EBV-186	Handle Cap Kit
11.	0325107	EBV-91	Range Adjustment Tool
12.	0305823	EBV-22	Strap Wrench
13.	0325159	EBV-137	7/64" Hex Wrench
14.	3308785	H-634-AA	1" (25 mm) Sweat Solder Kit
	3308788	H-636-AA	3/4" (19 mm) Sweat Solder Kit
15.	3308386	H-700-A	1" (25 mm) Bak-Chek® Control Stop
	3308384	H-700-A	3/4" (19 mm) Bak-Chek® Control Stop
16.	3308840	H-573-A	Stop Cap
17.	0305381PK	EBV-36-A	Valve Body *
18A.	5323007	V-500-AA	1-1/2" (38 mm) x 9" (229 mm) Vacuum Breaker (Model 8110/8111)
	0323014	V-500-AA	1-1/2" (38 mm) x 13 1/2" (343 mm) Vacuum Breaker (Model 8113)
	0323019	V-500-AA	1-1/2" (38 mm) x 23" (584 mm) Vacuum Breaker (Model 8115)
	0323021	V-500-AA	1-1/2" (38 mm) x 26" (660 mm) Vacuum Breaker (Model 8116)
18B.	5323006	V-500-AA	1-1/4" (32 mm) x 9" (229 mm) Vacuum Breaker (Model 8180)
18C.	5323005	V-500-AA	3/4" (19 mm) x 9" (229 mm) Vacuum Breaker (Model 8186)
19A.	0306145	F-56-A	1-1/2" Spud Coupling Assembly (Models 8110, 8115 & 8116)
19B.	0306142	F-55-A	1-1/4" Spud Coupling Assembly (Model 8180)
19C.	0306102	F-54-A	3/4" Spud Coupling Assembly (Model 8186)
19D.	SEE SLIP JOINT GASKETS AND RINGS TABLE ON NEXT PAGE		
20.	3323192	V-551-A	Vacuum Breaker Repair Kit

* Part number varies with valve model variation; consult factory.

Sweat Solder Kits

SWEAT SOLDER KITS

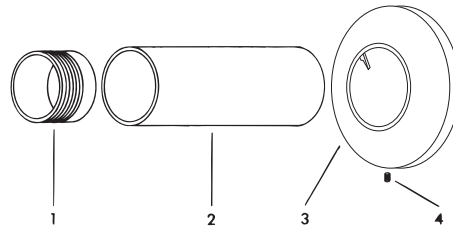
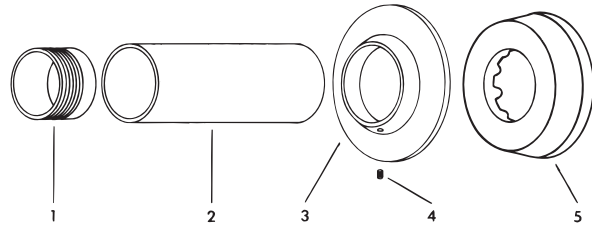
Item			
No.	Code No.	Part No.	Description
H-533-A			
1	3308603	H-532	1" Adapter*
1, 2, 5	3308780	H-533-AS	Sweat Solder Kit W/Stamped Wall Flange for 1" Supply-Closet & Urinal
1-4	3308794	H-533-AC	Sweat Solder Kit W/Cast Wall Flange for 1" Supply-Closet & Urinal
2	—	H-534	1 3/8" Casing Tube for 1" Copper
H-534-A			
1	3308603	H-532	1" Adapter*
1, 2, 5	3308783	H-534-AS	Sweat Solder Kit W/Stamped Wall Flange for 1" Supply-Closet & Urinal 3" Tube
1-4	3308796	H-534-AC	Sweat Solder Kit W/Cast Wall Flange for 1" Supply-Closet & Urinal
2	—	H-534	Casing Tube for 1" Copper
H-536-A			
1	3308607	H-535-A	3/4" Adapter*
1, 2, 5	3308786	H-536-AS	Sweat Solder Kit W/Stamped Wall Flange for 3/4" Supply-Closet & Urinal
1-4	3308798	H-536-AC	Sweat Solder Kit W/Cast Wall Flange for 3/4" Supply-Closet & Urinal
2	—	H-537	1 1/8" Casing Tube for 3/4" Copper

Note: H-532-AS, H-533-AS, H-534-AS, H-535-AS and H-536-AS are also identified as suffix YB when furnished with flush valve.

All Tube lengths- 2"

*Furnished separate for concealed installations.

Item			
No.	Code No.	Part No.	Description
H-633-AA			
1	3308603	H-532	1" Adapter
1-4	3308782	H-633-AA	Sweat Solder Kit for 1" Supply – Urinal 3" Tube
2	—	H-534	Casing Tube for 1" Copper
H-634-AA			
1	3308603	H-532	1" Adapter
1-4	3308785	H-634-AA	Sweat Solder Kit for 1" Supply – Closet 6" Tube
2	—	H-534	Casing Tube for 1" Copper
H-636-AA			
1	0308607	H-535	3/4" Adapter
1-4	3308788	H-636-AA	Sweat Solder Kit for 3/4" Supply – Urinal
2	—	H-537	Casing Tube for 3/4" Copper



Showerheads, Parts and Accessories