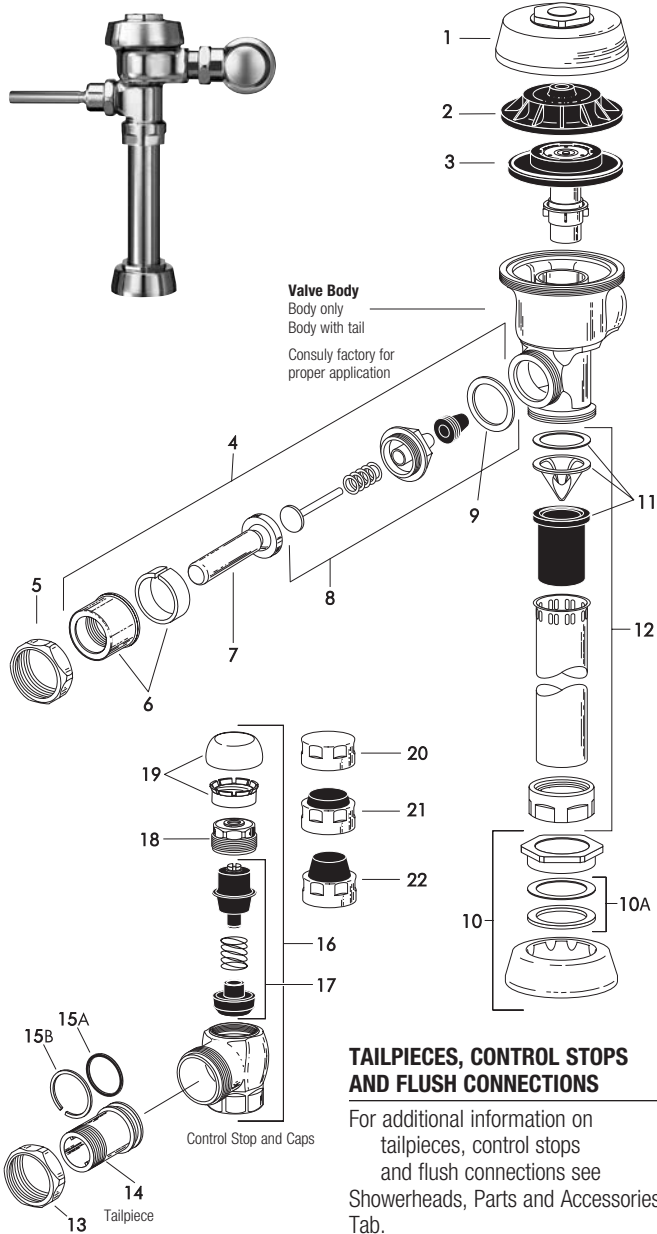


Royal® Flushometer



PARTS LIST

| Item No. | Code No. | Part No. | Description |
|----------|--|-------------|--|
| 1. | 0301172PKA-72 | | CP Cover |
| | 0301435PKA-72-HE | | CP High Efficiency Cover |
| 2. | 0301168 | A-71 | Inside Cover |
| | 0301336 | A-71-1 | Inside Cover (Purple) |
| 3. | — | | Dual-Filtered Bypass Diaphragm Assembly (refer to table and diagram on following page) |
| 4. | 0302390 | B-73-A | CP ADA-Compliant Triple Seal Handle Assembly |
| | 0302267 | B-73-A-PH | CP ADA-Compliant Triple Seal Handle Assembly |
| 5. | 0301082 | A-6 | CP Handle Coupling |
| 6. | 0302109 | B-7-A | CP Socket Assembly |
| 7. | 0302389 | B-74-A | CP ADA-Compliant Handle |
| | 0302264 | B-74-A-PH | CP ADA-Compliant Handle (Purple Handle) |
| 8. | 3302306 | B-51-A | Triple Seal Handle Repair Kit |
| 9. | 5301139 | A-31 | Handle Gasket – 48 per package |
| 10. | 0306125 | F-5-AW | 3/4" (19 mm) CP Spud Coupling Assembly |
| | 0306140 | F-5-AU | 1-1/4" (32 mm) CP Spud Coupling Assembly |
| | 0306146 | F-5-AT | 1-1/2" (38 mm) CP Spud Coupling Assembly |
| 10A. | SEE SLIP JOINT GASKETS AND RINGS TABLE BELOW LEFT | | |
| 11. | 3323182 | V-651-A | High Back Pressure Vacuum Breaker Repair Kit |
| 12. | 3393004 | V-600-AA | 3/4" (19 mm) x 9" (228 mm) CP Vacuum Breaker |
| | 3393006 | V-600-AA | 1-1/4" (32 mm) x 9" (228 mm) CP Vacuum Breaker |
| | 3393007 | V-600-AA | 1-1/2" (38 mm) x 9" (228 mm) CP Vacuum Breaker |
| 13. | 0308676 | H-550 | CP Stop Coupling |
| 14. | 0308801 | H-551-A | CP Adjustable Tailpiece 2-1/16" (52 mm long) Standard Length* |
| 15A. | 5308696 | H-553 | O-ring – 24 per package |
| 15B. | 5308381 | H-552 | Locking Ring – 12 per package |
| 16. | 3308386 | H-700-A | 1" (25 mm) CP Bak-Chek® Screwdriver Stop |
| | 0388141 | H-700-A-RW | 1" (25 mm) CP Bak-Chek® Screwdriver Stop |
| | 3308384 | H-700-A | 3/4" (19 mm) CP Bak-Chek® Screwdriver Stop |
| | 0388142 | H-700-A-RW | 3/4" (19 mm) CP Bak-Chek® Screwdriver Stop |
| 17. | 3308853 | H-541-ASD | Control Stop Repair Kit † |
| | 3308856 | H-543-ASD | Control Stop Repair Kit † |
| 18. | 0308612 | H-622 | CP Bonnet † |
| | 0308892 | H-608-RW | CP Bonnet † |
| | 0308843 | H-577 | CP Bonnet † – DISCONTINUED |
| 19. | 3308772 | H-1010-A | Vandal Resistant Control Stop Cap Assembly † |
| | 3308790 | H-1009-A | Vandal Resistant Control Stop Cap Assembly † H-600 3/4" Stop only |
| 20. | 0308738 | H-573 | Control Stop Cap CP † |
| | 0308848 | H-582 | Control Stop Cap CP † |
| 21. | 3308866 | H-574 | Control Stop Cap with Bumper † (-YO Variation) |
| 22. | 3308867 | H-576 | Control Stop Cap with Extended Bumper † (-YG Variation) |
| 23. | 3388015 | H-1015 | Flow Control Kit (not Shown) (HEU Only) |
| 24. | 3308735 | H-634-AA-RW | 1" (25 mm) Sweat Solder Kit w/ Cast Set Screw Purple Flange (not shown) |
| | 3308736 | H-636-AA-RW | 3/4" (19 mm) Sweat Solder Kit w/ Cast Set Screw Flange (not shown) |
| | 3308785 | H-636-AA | 1" (25 mm) Sweat Solder Kit w/ Cast Set Screw Purple Flange (not shown) |
| | 3308788 | H-636-AA | 3/4" (19 mm) Sweat Solder Kit w/ Cast Set Screw Flange (not shown) |

ITEM 10A. SLIP JOINT GASKETS AND RINGS

| Size | Code No. | Part No. | Description |
|-----------------|------------------------|----------|--------------------------------|
| 1-1/2" | 5306058 | F-3 | Red Friction Ring |
| | 5322001 | VBF-5 | Black Slip Joint Gasket |
| | 0319086/5319086 | S-30 | Flexible Seat |
| 1-1/2" x 1-1/4" | 0319079 | S-21 | Rigid Seat (rubber over brass) |
| | 0396062 | F-105 | Slip Joint Gasket – Rigid |
| 1-1/4" | 5306057 | F-3 | Red Friction Ring |
| | 5322176 | VBF-5 | Black Slip Joint Gasket |
| | 0307052/5307052 | G-21 | Rigid Seat (rubber over brass) |
| 1" | 5306056 | F-3 | Red Friction Ring |
| | 5306115 | F-5 | Black Slip Joint Gasket |
| | 5306055 | F-3 | Red Friction Ring |
| 3/4" | 5306055 | F-3 | Red Friction Ring |
| | 5306113 | F-5 | Black Slip Joint Gasket |

* See pages 102-103 for additional lengths

† For use with 1" and 3/4" H-700-A and 1" H-600-A Bak-Chek® screwdriver control stop

‡ For use with 3/4" H-600-A Bak-Chek® screwdriver control stop

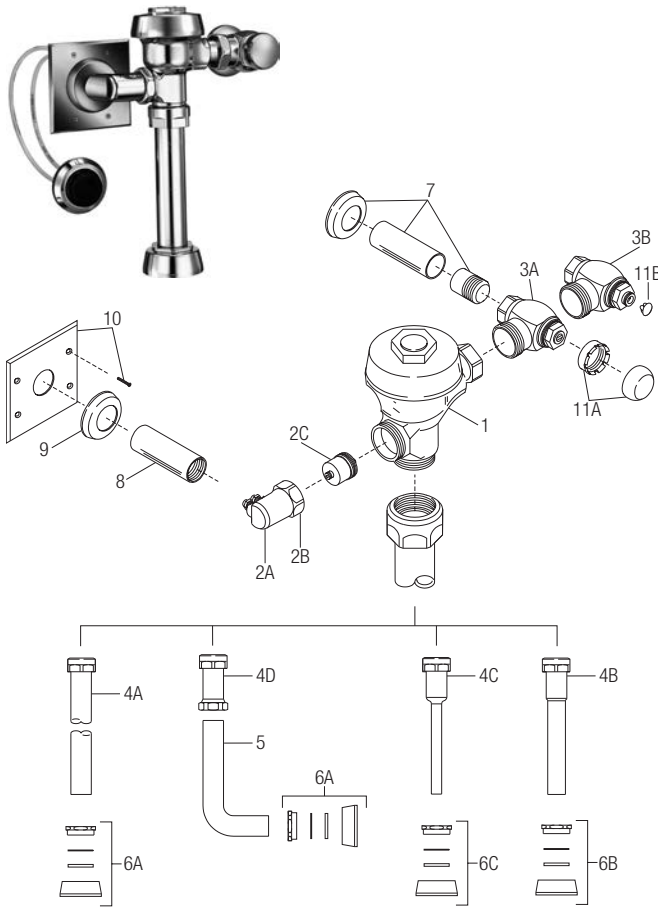
RW for use with Reclaimed Water Flushometers

Sloan products are also available in satin, brushed nickel, chrome, gold and polished brass finishes – contact factory for part numbers.

Manual Flushometers

Series 900® Flushometer

Manual Flushometers



PARTS LIST FOR SERIES 900® EXPOSED FLUSHOMETER

| Item No. | Code No. | Part No. | Description |
|----------|------------------|----------|--|
| 1. | 0301048 | A-143-A | Valve Body |
| 2A. | 0318065PK | HY-65 | Valve Actuator Housing |
| 2B. | 0301082PK | A-6 | Housing Nut |
| 2C. | 3318001PK | HY-83-A | Actuator Cartridge Assembly |
| 3A. | 3308386 | H-700-A | Bak-Chek® Control Stop (Royal Valves) for 1" 3308384 for ¾" |
| 3B. | 0388065 | H-790-A | Bak-Chek® Control Stop (Regal XL Valves) for 1" 0388064 for ¾" |
| 4A. | 3893004 | V-600-AA | 1½" (38 mm) Vacuum Breaker Assembly |
| 4B. | 3393006 | V-600-AA | 1¼" (32 mm) Vacuum Breaker Assembly |
| 4C. | 3393004 | V-600-AA | ¾" (19 mm) Vacuum Breaker Assembly |
| 4D. | 0393003 | V-600-A | Vacuum Breaker |
| 5. | 0396293 | F-109 | 1½" (38 mm) Elbow Flush Connection |
| 6A. | 0306146 | F-5-AT | 1-1/2" (38 mm) Spud Coupling Assembly (Royal Valves) |
| | 0306145 | F-56-A | 1½" (38 mm) Spud Coupling Assembly (Regal XL Valves) |
| 6B. | 0306140 | F-5-AU | 1¼" (32 mm) Spud Coupling Assembly (Royal Valves) |
| | 0306142 | F-55-A | 1¼" (32 mm) Spud Coupling Assembly (Regal XL Valves) |
| 6C. | 0306125 | F-5-AW | ¾" (19 mm) Spud Coupling Assembly (Royal Valves) |
| | 0306102 | F-54-A | ¾" (19 mm) Spud Coupling Assembly (Regal XL Valves) |
| 7. | 3308782 | H-633-AA | 1" (25 mm) Sweat Solder Kit & Cast Wall Flange w/ Set Screw |
| | 3308788 | H-636-AA | ¾" (19 mm) Sweat Solder Kit & Cast Wall Flange w/ Set Screw |
| 8. | 0318064PK | HY-64 | 6" Chrome Sleeve |
| 9. | ‡ | F-7 | Supply Flange |
| 10. | 3318002 | HY-112-A | Plate with Screws |
| 11A. | 3308772 | H-1010-A | Free Spinning Vandal Resistant Stop Cap (Royal Valves) |
| 11B. | 5388002 | H-528 | Vandal Resistant Hole Plug (Regal Valves) |

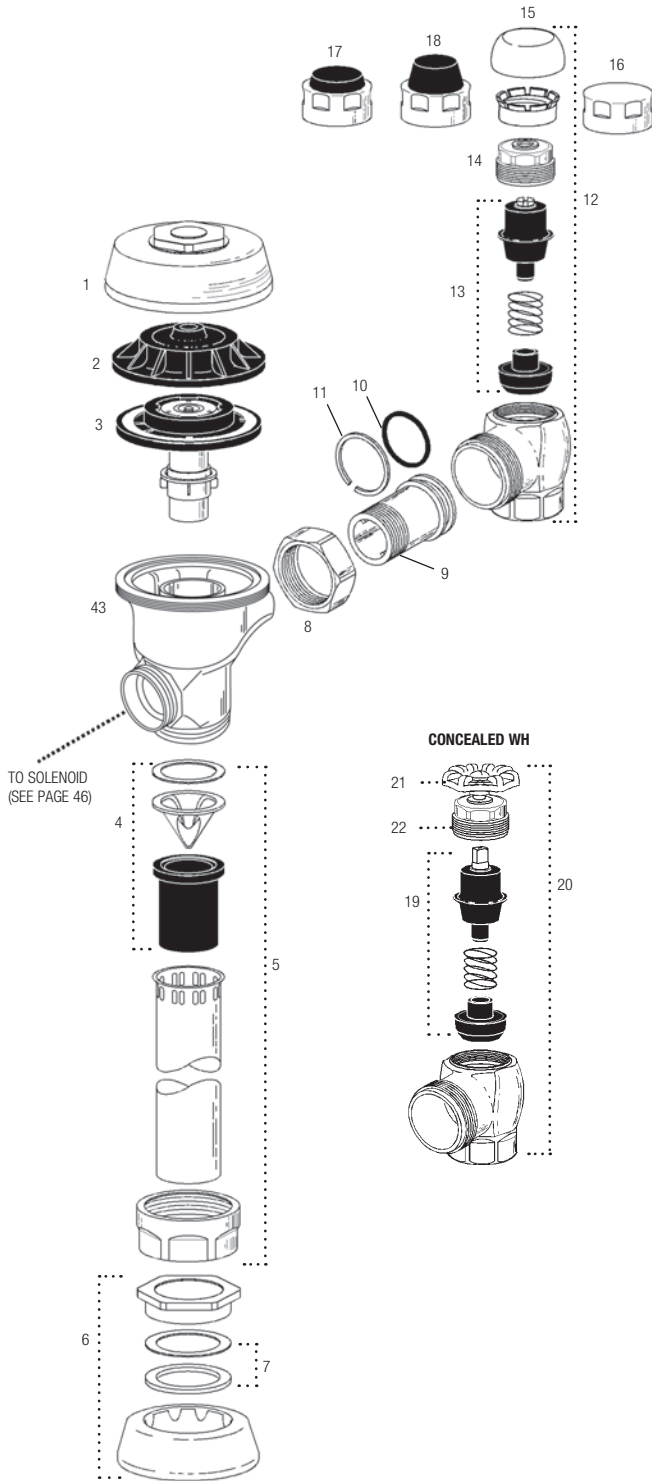
† Part number varies with valve model variation; consult factory.

‡ Length varies with valve variation; consult factory.

Optima® Royal® Flushometers

OPTIMA® ROYAL® FLUSHOMETER PARTS LIST

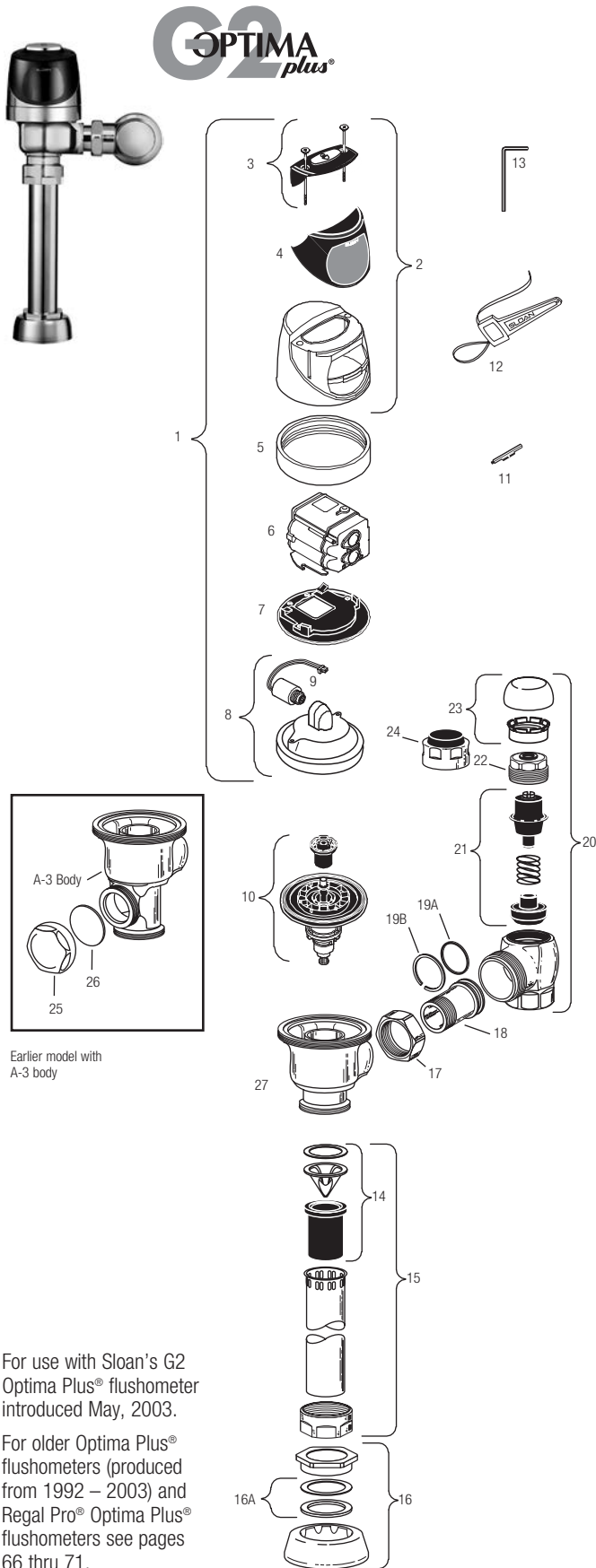
| Item No. | Code No. | Part No. | Description |
|----------|--|------------|---|
| 1. | 0301172 | A-72 | CP Cover |
| 2. | 0301168 | A-71 | Inside Cover |
| 3. | SEE DIAPHRAGM ASSEMBLY CHART ON PAGE 42 | | |
| 4. | 3323182 | V-651-A | Vacuum Breaker Repair Kit |
| 5. | 3393004 | V-600-AA | 3/4" (19 mm) x 9" (229 mm) CP Vacuum Breaker |
| | 3393006 | V-600-AA | 1-1/4" (32 mm) x 9" (229 mm) CP Vacuum Breaker |
| | 3393007 | V-600-AA | 1-1/2" (38 mm) x 9" (229 mm) CP Vacuum Breaker |
| 6. | 0306125 | F-5-AW | 3/4" (19 mm) CP Spud Coupling Assembly |
| | 0306140 | F-5-AU | 1-1/4" (32 mm) CP Spud Coupling Assembly |
| | 0306146 | F-5-AT | 1-1/2" (38 mm) CP Spud Coupling Assembly |
| 7. | SEE SLIP JOINT GASKETS AND RINGS TABLE ON ITEM 31A ON NEXT PAGE | | |
| 8. | 0308676 | H-550 | CP Stop Coupling |
| 9. | 0308801 | H-551-A | CP Adjustable Tail 2-1/16" (52 mm) long |
| 10. | 5308696 | H-553 | O-Ring – 24 per package |
| 11. | 5308381 | H-552 | Locking ring – 12 per package |
| 12. | 3308386 | H-700-A | 1" (25 mm) Screwdriver Bak-Chek® Angle Stop CP – complete |
| | 3308384 | H-700-A | 3/4" (19 mm) Screwdriver Bak-Chek® Angle Stop CP – complete |
| 13. | 3308853 | H-541-A-SD | Control Stop Repair Kit for use with 1" (25 mm) H-700-A & 3/4" (19 mm) H-700-A, 1" (25 mm) H-600-A, 1" (25 mm) & 3/4" (19 mm) H-700-A and 1" (25 mm) H-540-A SD Stops |
| | 3308856 | H-543-A-SD | Control Stop Repair Kit for use with 3/4" (19 mm) H-600-A and H-540-A SD Stops |
| 14. | 0308612 | H-622 CP | Bonnet for use with 1" (25 mm) & 3/4" (19 mm) H-700-A and 1" (25 mm) H-600-A SD Stops |
| | 0308843 | H-577 | CP Bonnet for use with 3/4" (19 mm) H-600-A SD Stops – OBSOLETE |
| 15. | 3308772 | H-1010-A | 1" (25 mm) Vandal Resistant Control Stop Cap Assembly for use with 1" (25 mm) & 3/4" (19 mm) H-700-A and 1" (25 mm) H-600-A SD Stops |
| | 3308790 | H-1009-A | 3/4" (19 mm) Vandal Resistant Control Stop Cap Assembly for use with 3/4" (19 mm) H-600-A SD Stops |
| 16. | 0308840 | H-573 | 1" (25 mm) Control Stop Cap CP for use with 1" (25 mm) & 3/4" (19 mm) H-700-A and 1" (25 mm) H-600-A SD Stops |
| | 0308848 | H-582 | 3/4" (19 mm) Control Stop Cap CP for use with 3/4" (19 mm) H-600-A SD Stops |
| 17. | 3308866 | H-574 | 1" (25 mm) Control Stop Cap with Bumper for use with 1" (25 mm) & 3/4" (19 mm) H-700-A and 1" (25 mm) H-600-A SD Stops |
| 18. | 3308867 | H-576 | 1" (25 mm) Control Stop Cap with Extended Bumper for use with 1" (25 mm) & 3/4" (19 mm) H-700-A and 1" (25 mm) H-600-A SD Stops |
| 19. | 3308860 | H-1006-A | Repair Kit for 1" (25 mm) Stops with Concealed WH for use with 1" (25 mm) H-700-A, H-600-A, and H-543-AWH WH Series Stops |
| | 3308859 | H-1007-A | Repair Kit 3/4" (19 mm) Stops with Concealed WH for use with 3/4" (19 mm) H-700-A WH Series Stops |
| 20. | 0388010 | H-730-A | 1" (25 mm) Concealed WH Bak-Chek® Angle Stop RB |
| | 0388011 | H-730-A | 3/4" (19 mm) Concealed WH Bak-Chek® Angle Stop RB |
| 21. | 3308872 | H-1011-A | Repair Kit (for Concealed WH only; does not include bonnet) |
| 42. | 0208083 | H-623 | Bonnet |
| | 0308705 | H-561 | Bonnet – OBSOLETE |
| 43. | 0301048 | A-143-A | CP Valve Body |
| | 0301050 | A-143-A | RB Valve Body |
| | 3388015 | H-1015-A | Flow Control Kit (HEU Only (not Shown)) |



ABBREVIATIONS:
 CP Chrome Plated
 RB Rough Brass
 SD Screwdriver
 WH Wheel Handle
 gpf gallons per flush
 Lpf Liters per flush

Sensor Flushometers

G2 Optima® Flushometer



For use with Sloan's G2 Optima Plus® flushometer introduced May, 2003.

For older Optima Plus® flushometers (produced from 1992 – 2003) and Regal Pro® Optima Plus® flushometers see pages 66 thru 71.

SENSOR MODULE COMPONENT PARTS

| Item No. | Code No. | Part No. | Description |
|----------|----------------------------|-------------|---|
| 1. | 0325160 | EBV-138-A | G2 Cover/Ring/Sensor Assembly – Water Closet |
| | 0325161 | EBV-139-A | G2 Cover/Ring/Sensor Assembly – Urinal |
| | 0325166 | EBV-149-A | G2 Cover/Ring/Sensor Assembly – Water Closet w/Zurn Ring |
| | 0325167 | EBV-150-A | G2 Cover/Ring/Sensor Assembly – Urinal w/Zurn Ring |
| 2. | 0325168 | EBV-142-A | Cover Assembly |
| 3. | 0325172 | EBV-130-A | Override Button Assembly includes screws & hex wrench |
| | 0325170 | EBV-132-A | Screws (2) and Allen Wrench Only |
| 4. | 0325169 | EBV-131 | Lens Window Cover |
| 5. | 0325804 | EBV-14 | Locking Ring CP |
| | 0325210 | EBV-168 | Locking Ring CP |
| 6. | 3325524 | EBV-31-A | Locking Ring – for Zurn Valves |
| | 3325450 | EBV-129-A-C | G2 Electronic Module – Water Closet |
| 7. | 3325451 | EBV-129-A-U | G2 Electronic Module – Urinal |
| | 0325171 | EBV-134 | Cover Rest Plate |
| 8. | 3325456 | EBV-145-A | Inside Cover Assembly (includes solenoid EBV-136-A) |
| | 3325089 | EBV-1010-A | Inside Cover Assembly (includes solenoid EBV-136-A and locking ring EBV-14) |
| 9. | 3325453 | EBV-136-A | Solenoid (For G2 Modules only)* |
| 10. | SEE CHART NEXT PAGE | | Flex Tube Diaphragm Kit |

* Refer to Page 58 for instructions regarding solenoid replacement.

ACCESSORIES

| | | | |
|-----|----------------|-----------|--------------------------------|
| 11. | 0325107 | EBV-91 | Trimpot Adjustment Screwdriver |
| 12. | 0305823 | EBV-22 | Strap Wrench |
| 13. | 0325170 | EBV-132-A | Allen Wrench |

VALVE COMPONENT PARTS

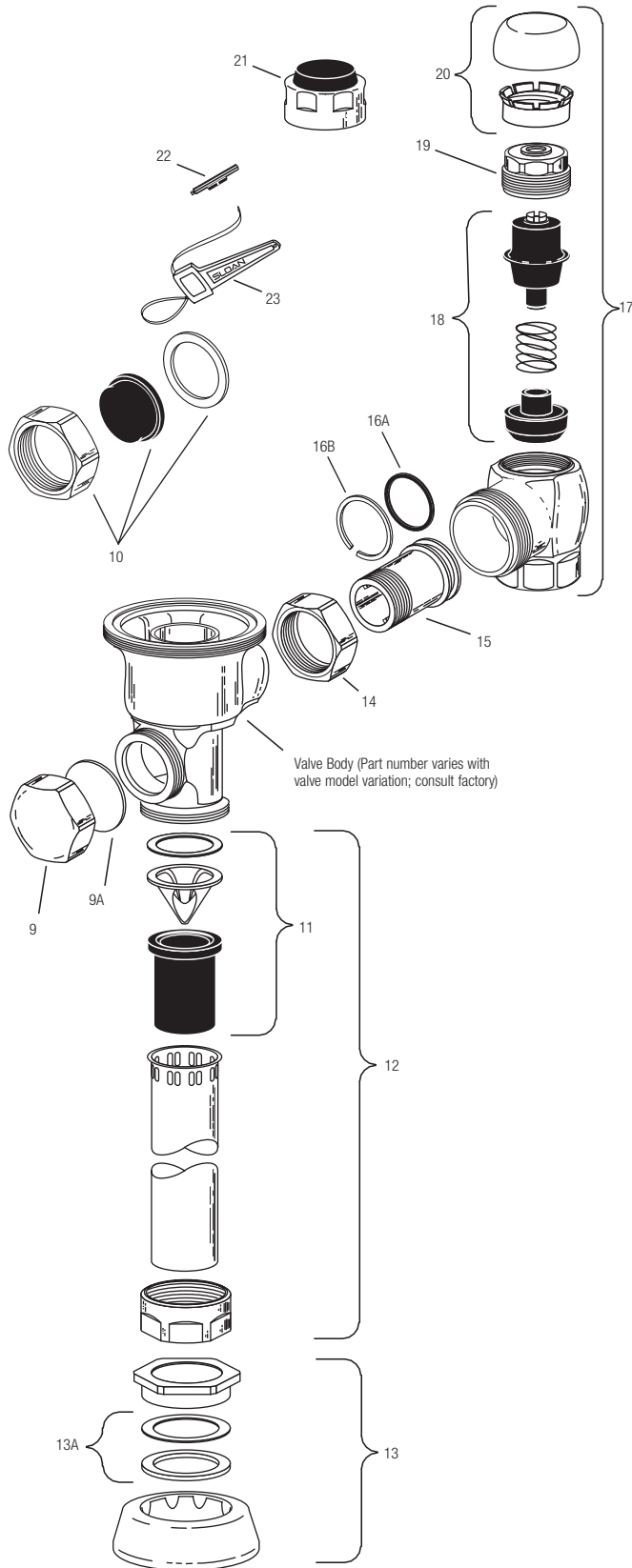
| | | | |
|----------------|--|----------------|---|
| 14. | 3323182 | V-651-A | Vacuum Breaker Repair Kit |
| 15. | 0393004 | V-600-AA | 3/4" x 9" CP Vacuum Breaker |
| | 0393006 | V-600-AA | 1-1/4" x 9" CP Vacuum Breaker |
| | 3393007 | V-600-AA | 1-1/2" x 9" CP Vacuum Breaker |
| 16. | 0306125 | F-5-AW | 3/4" CP Spud Coupling |
| | 0306140 | F-5-AU | 1-1/4" CP Spud Coupling |
| | 0306146 | F-5-AT | 1-1/2" CP Spud Coupling |
| 16A. | SEE SLIP JOINT GASKETS AND RINGS TABLE ON NEXT PAGE | | |
| 17. | 0308676 | H-550 | CP Stop Coupling |
| 18. | 0308801 | H-551-A | CP Adjustable Tailpiece 2-1/16" long |
| 19A. | 5308696 | H-553 | O-ring – 24 per package |
| 19B. | 5308381 | H-552 | Locking ring – 12 per package |
| 20. | 3308386 | H-700-A | 1" Screwdriver Bak-Chek® Stop CP – complete |
| | 3308384 | H-700-A | 3/4" Screwdriver Bak-Chek® Stop CP – complete |
| 21. | 3308853 | H-541-A | Control Stop Repair Kit † |
| | 3308856 | H-543-A | Control Stop Repair Kit † 3/4" H-540/H-600 only |
| 22. | 0308612 | H-622 | CP Bonnet † |
| | 0308843 | H-577 | CP Bonnet † – OBSELETE |
| | 3308772 | H-1010-A | Vandal Resistant Control Stop Cap Assembly † |
| 23. | 3308790 | H-1009-A | Vandal Resistant Control Stop Cap Assembly † |
| | 24. | 3325816 | EBV-1019-A |
| 3308866 | | H-574 | 1" Decorative Stop Cap |
| 25. | 3325814 | EBV-1017-A | Handle Cap — Metal |
| 26. | 0311042 | K-46 | Blind Nut Gasket |
| 27. | 0305381 | EBV-36-A | Squatty Valve Body |
| 28. | 3388015 | H-1050 | Flow Control Kit (HEU Only) (not Shown) |

† For use with 1" and 3/4" H-700-A and 1" H-600-A Bak-Chek® screwdriver control stop

‡ For use with H-600-A 3/4" screwdriver Bak-Chek® control stops

Sensor Flushometers

Optima® Flushometers



OTHER VALVE COMPONENT PARTS

| Item No. | Code No. | Part No. | Description |
|----------|---|------------|--|
| 9. | 3325814 | EBV-1017-A | Handle Cap — Metal |
| 9A. | 0311042 | K-46 | Blind Nut Gasket |
| 10. | 3325815 | EBV-1018-A | Handle Cap — Metal Coupling/Plastic Hole Cap — OBSOLETE |
| 11. | 3323182 | V-651-A | Vacuum Breaker Repair Kit |
| 12. | 3393004 | V-600-AA | 3/4" (19 mm) x 9" (229 mm) CP Vacuum Breaker |
| | 3393006 | V-600-AA | 1-1/4" (32 mm) x 9" (229 mm) CP Vacuum Breaker |
| | 3393007 | V-600-AA | 1-1/2" (38 mm) x 9" (229 mm) CP Vacuum Breaker |
| 13. | 0306125 | F-5-AW | 3/4" (19 mm) CP Spud Coupling |
| | 0306140 | F-5-AU | 1-1/4" (32 mm) CP Spud Coupling |
| | 0306146 | F-5-AT | 1-1/2" (38 mm) CP Spud Coupling |
| 13A. | SEE SLIP JOINT GASKETS AND RINGS TABLE BELOW | | |
| 14. | 0308676 | H-550 | CP Stop Coupling |
| 15. | 0308801 | H-551-A | CP Adjustable Tailpiece 2-1/16" (52 mm) long |
| 16A. | 5308696 | H-553 | O-ring — 24 per package |
| 16B. | 5308381 | H-552 | Locking ring — 12 per package |
| 17. | 3308386 | H-700-A | 1" (25 mm) Screwdriver Bak-Chek® Stop CP — complete |
| | 3308384 | H-700-A | 3/4" (19 mm) Screwdriver Bak-Chek® Stop CP — complete |
| 18. | 3308853 | H-541-A | Control Stop Repair Kit † 3/4" H-600/H-540 only |
| | 3308856 | H-543-A | Control Stop Repair Kit † |
| 19. | 0308612 | H-622 | CP Bonnet † |
| | 0308843 | H-577 | CP Bonnet 3/4" H-600/H-540 only — OBSOLETE † |
| 20. | 3308772 | H-1010-A | Vandal Resistant Control Stop Cap Assembly† |
| | 3308790 | H-1009-A | Vandal Resistant Control Stop Cap Assembly† |
| 21. | 3325816 | EBV-1019-A | 3/4" (19 mm) Decorative Stop Cap |
| | 3308866 | H-574 | 1" (25 mm) Decorative Stop Cap |

ACCESSORIES

| | | | |
|-----|----------------|--------|--------------------------------|
| 22. | 0325107 | EBV-91 | Trimpot Adjustment Screwdriver |
| 23. | 0305823 | EBV-22 | Disposable Strap Wrench |

† For use w/H-700-A 1" & 3/4" and H-600-A 1" screwdriver Bak-Chek® control stops, also marked with Quiet Stop II

‡ For use w/H-600-A 3/4" urinal screwdriver Bak-Chek® control stops, also marked with Quiet Stop II.

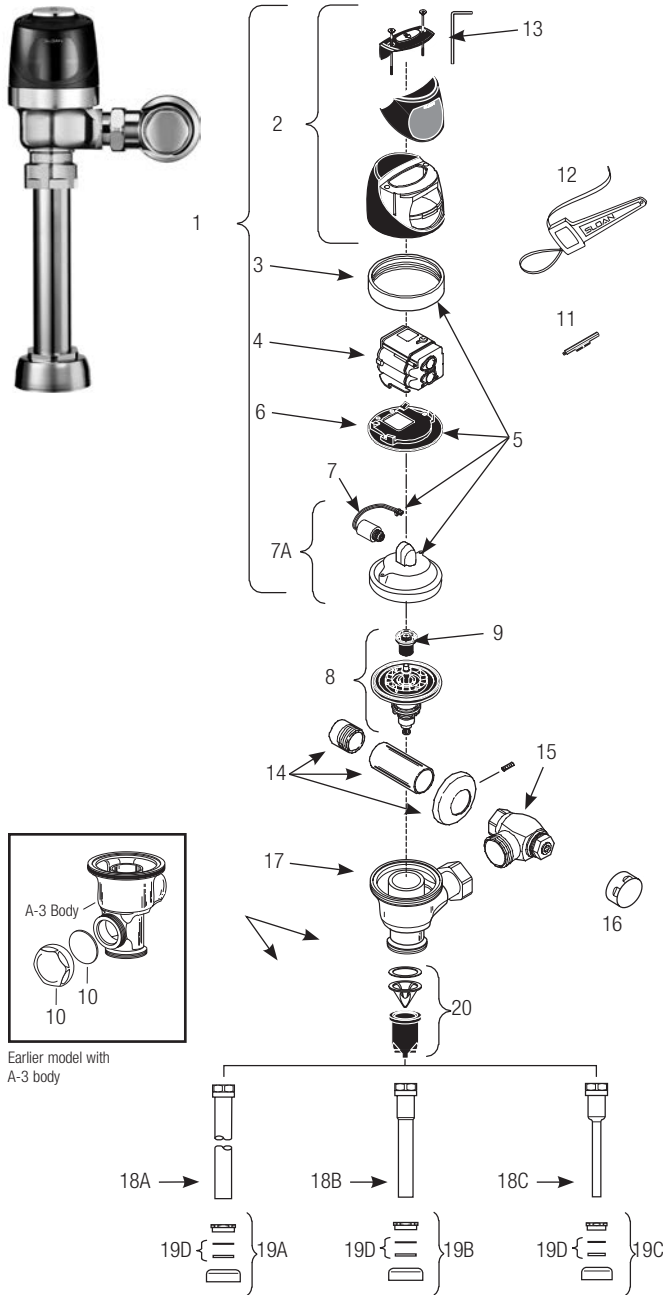
ITEM 13A. SLIP JOINT GASKETS AND RINGS

| Size | Code No. | Part No. | Description |
|-----------------|------------------------|----------|--------------------------------|
| 1-1/2" | 5306058 | F-3 | Red Friction Ring |
| | 5322001 | VBF-5 | Black Slip Joint Gasket |
| | 0319086/5319086 | S-30 | Flexible Seat |
| | 0319079 | S-21 | Rigid Seat (rubber over brass) |
| 1-1/2" x 1-1/4" | 0396062 | F-105 | Slip Joint Gasket — Rigid |
| 1-1/4" | 5306057 | F-3 | Red Friction Ring |
| | 5322176 | VBF-5 | Black Slip Joint Gasket |
| | 0307052/5307052 | G-21 | Rigid Seat (rubber over brass) |
| 1" | 5306056 | F-3 | Red Friction Ring |
| | 5306115 | F-5 | Black Slip Joint Gasket |
| 3/4" | 5306055 | F-3 | Red Friction Ring |
| | 5306113 | F-5 | Black Slip Joint Gasket |

Sensor Flushometers

Optima® Sloan Flushometer

Sensor Flushometers



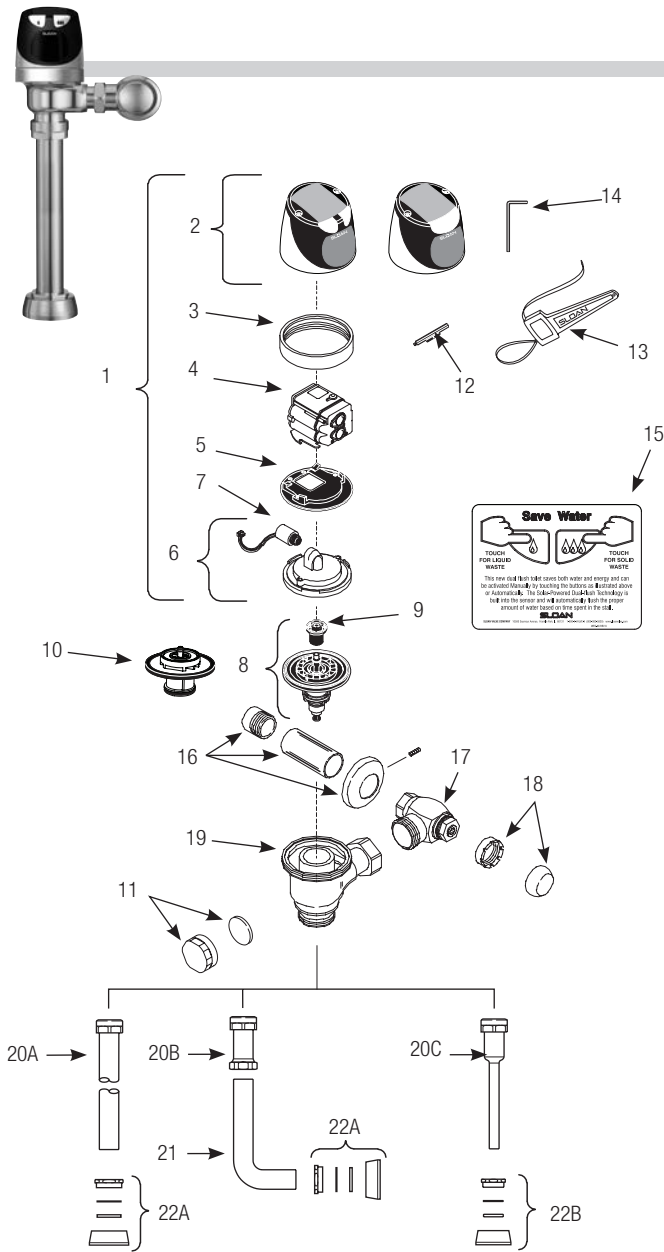
PARTS LIST

| Item No. | Code No. | Part No. | Description |
|----------|--|-------------|--|
| 1. | 0325298 | EBV-189-A | Cover/Ring/Sensor Assembly - Water Closet |
| | 0325299 | EBV-190-A | Cover/Ring/Sensor Assembly - Urinal |
| | 0325239 | EBV-198-A | Cover/Ring/Sensor Assembly - Water Closet w/ Zurn ring |
| | 0325240 | EBV-199-A | Cover/Ring/Sensor Assembly - Urinal w/Zurn ring |
| 2. | 0325241 | EBV-192-A | Cover Assembly |
| 3. | N/A | EBV-168 | Locking Ring - Plastic inner cover only – Use 3325089 , EBV-1010-A |
| | 0305843 | EBV-14 | Locking Ring - Metal inner cover only |
| | 0305843 | EBV-30-A | Locking Ring - for Zurn valves |
| 4. | 3325450 | EBV-129-A-C | Electronic Module - Water Closet |
| | 3325451 | EBV-129-A-U | Electronic Module - Urinal |
| 5. | 3325089 | EBV-1010-A | Metal Inner Cover Repair Kit Includes Items Nos. 3, 5, 6 and 7 |
| 6. | 0325171 | EBV-134 | Cover Rest Plate |
| 7. | 3325453 | EBV-136-A | Solenoid |
| 7A. | 3325456 | EBV-145-A | Inside Cover Assembly (includes solenoid EBV-136-A) Does not replace Plastic Inner Cover. Use Item No. 5 |
| 8. | SEE CHART NEXT PAGE | | Flex Tube Diaphragm Assembly |
| 9. | SEE CHART NEXT PAGE | | Flush Volume Regulator |
| 10. | 0325286 | EBV-186 | Handle Cap Kit |
| 11. | 0325107 | EBV-91 | Range Adjustment Tool |
| 12. | 0305823 | EBV-22 | Strap Wrench |
| 13. | 0325159 | EBV-137 | 7/64" Hex Wrench |
| 14. | 3308785 | H-634-AA | 1" (25 mm) Sweat Solder Kit |
| | 3308788 | H-636-AA | 3/4" (19 mm) Sweat Solder Kit |
| 15. | 3308386 | H-700-A | 1" (25 mm) Bak-Chek® Control Stop |
| | 3308384 | H-700-A | 3/4" (19 mm) Bak-Chek® Control Stop |
| 16. | 3308840 | H-573-A | Stop Cap |
| 17. | 0305381PK | EBV-36-A | Valve Body * |
| 18A. | 5323007 | V-500-AA | 1-1/2" (38 mm) x 9" (229 mm) Vacuum Breaker (Model 8110/8111) |
| | 0323014 | V-500-AA | 1-1/2" (38 mm) x 13 1/2" (343 mm) Vacuum Breaker (Model 8113) |
| | 0323019 | V-500-AA | 1-1/2" (38 mm) x 23" (584 mm) Vacuum Breaker (Model 8115) |
| | 0323021 | V-500-AA | 1-1/2" (38 mm) x 26" (660 mm) Vacuum Breaker (Model 8116) |
| 18B. | 5323006 | V-500-AA | 1-1/4" (32 mm) x 9" (229 mm) Vacuum Breaker (Model 8180) |
| 18C. | 5323005 | V-500-AA | 3/4" (19 mm) x 9" (229 mm) Vacuum Breaker (Model 8186) |
| 19A. | 0306145 | F-56-A | 1-1/2" Spud Coupling Assembly (Models 8110, 8115 & 8116) |
| 19B. | 0306142 | F-55-A | 1-1/4" Spud Coupling Assembly (Model 8180) |
| 19C. | 0306102 | F-54-A | 3/4" Spud Coupling Assembly (Model 8186) |
| 19D. | SEE SLIP JOINT GASKETS AND RINGS TABLE ON NEXT PAGE | | |
| 20. | 3323192 | V-551-A | Vacuum Breaker Repair Kit |

* Part number varies with valve model variation; consult factory.

SOLIS® Single-Flush and Dual-Flush Flushometer

Sensor Flushometers



| Item. | Code. | Part. | Description |
|-------|-------|-------|-------------|
|-------|-------|-------|-------------|

Items Included with RESS Retrofit and Complete Sloan SOLIS® Valves

| | | | |
|----|----------------|-------------|---|
| 1 | 0325300 | EBV-304-A | Cover/Sensor/Assembly - Closet SOLIS 1.6 & 1.28 gpf Electronic Single Button Flush |
| | — | EBV-379-A | Cover/Sensor/Assembly - Closet SOLIS 1.1 gpf Electronic Single Button Flush |
| | 0372024 | WES-24-A | Cover/Sensor/Assembly - Closet SOLIS Electronic Dual Flush |
| | 0325301 | EBV-306-A | Cover/Sensor/Assembly - Urinal 0.5 & 1.0 gpf SOLIS Electronic Single Button |
| | 0325328 | EBV-328-A | Cover/Sensor/Assembly - Urinal 0.25 gpf SOLIS Electronic Single Button |
| | 0325302 | EBV-325-A | Cover/Sensor/Assembly - Urinal 0.125 gpf SOLIS Electronic Single Button |
| | 0325320 | EBV-320-A | Cover/Sensor/Assembly (Zurn) - Closet 1.6 & 1.28 gpf SOLIS Electronic Single Button Flush |
| | 0372028 | WES-28-A | Cover/Sensor/Assembly (Zurn) - Closet SOLIS Electronic Dual Flush |
| | 0325321 | EBV-321-A | Cover/Sensor/Assembly (Zurn) - Urinal 0.25 gpf SOLIS Electronic Single Button |
| 2 | 0325311 | EBV-311-A | Cover Assembly - SOLIS Electronic Dual Flush Flush |
| | 0325309 | EBV-309-A | Cover Assembly - SOLIS Electronic Single Button Flush |
| 3 | 0325804 | EBV-14 | Locking Ring |
| | 0305843 | EBV-30 | Locking Ring - for Zurn valves |
| 4 | 0325312 | EBV-312-A-C | Module - SOLIS - Water Closet |
| | 0325313 | EBV-312-A-U | Module - SOLIS - Urinal |
| | — | EBV-382-A | Module - SOLIS - 1.1 gpf Single Button Flush |
| | 0372038 | WES-33-A | Module - SOLIS - Water Closet (Dual Flush) |
| 5 | 0325171 | EBV-134 | Cover Rest Plate |
| 6 | 3325456 | EBV-145-A | Inside Cover Assembly (includes solenoid) |
| 7 | 3325453 | EBV-136-A | Solenoid |
| 8 | † | | Flex Tube Diaphragm Assembly |
| 9 | † | | Flush Volume Regulator |
| 10 | † | | Cartridge Assembly |
| 11 | 3325814 | EBV-1017-A | Handle Cap (RESS Retrofit Models Only) |
| 12 | 0325107 | EBV-91 | Range Adjustment Tool |
| 13 | 0305823 | EBV-22 | Strap Wrench |
| 14 | 0325159 | EBV-137 | 7/64" Hex Wrench |
| 15 | 0372029 | WES-27 | English Plate (Dual Flush only) |
| | 0372025 | WES-29 | Spanish Plate (Dual Flush only) |

Items Included with Complete Sloan SOLIS® Valves Only

| | | | |
|-----|----------------|----------|--|
| 16 | 3308782 | H-633-AA | 1" (25 mm) Sweat Solder Kit |
| | 3308788 | H-636-AA | ¾" (19 mm) Sweat Solder Kit |
| 17 | 3308386 | H-700-A | 1" (25 mm) Bak-Chek® Control Stop |
| | 3308384 | H-700-A | ¾" (19 mm) Bak-Chek® Control Stop |
| 18 | 3325089 | H-1010-A | Vandal Resistant Stop Cap |
| 19 | 0305381 | EBV-36-A | Valve Body |
| 20A | — | V-600-AA | 1½" (38 mm) x 10½" (229 mm) Vacuum Breaker (Model 8111) |
| | — | V-600-AA | 1½" (38 mm) x 15" (584 mm) Vacuum Breaker (Model 8113) |
| | — | V-600-AA | 1½" (38 mm) x 23" (584 mm) Vacuum Breaker (Model 8115) |
| | — | V-600-AA | 1½" (38 mm) x 26" (660 mm) Vacuum Breaker (Model 8116) |
| 20B | — | V-600-A | 3" (76 mm) Vacuum Breaker Assembly |
| 20C | — | V-600-AA | ¾" (19 mm) x 10½" (229 mm) Vacuum Breaker (Model 8186) |
| 21 | — | F-109 | 1½" (38 mm) Elbow Flush Connection |
| 22A | 0306146 | F-5-AT | 1½" Spud Coupling Assembly (Models 8110, 8110 8115 & 8116) |
| 22B | 0306125 | F-5-AW | ¾" Spud Coupling Assembly (Model 8186) |

† Part No. varies depending on flushometer model.

Manufactured in the U.S.A. by Sloan Valve Company under one or more of the following patents: U.S. Patents: D598,975; D599,436; 7,124,997. Other Patents Pending. BAK-CHEK®, PARA-FLO®, PERMEX®, TURBO-FLO®.

Control Stop

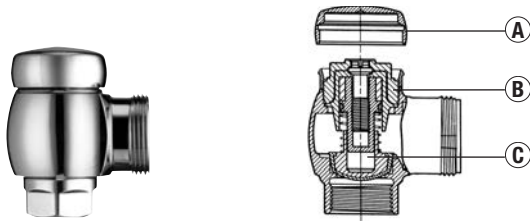


H-700 Series Bak-Chek® control stops and replacement parts (available for 3/4" and 1" water supply inlet pipes)
Replaces H-600 and H-540 Series control stops

CONTROL STOP AND REPLACEMENT PARTS

| Code No. | Part No. | Description |
|----------|----------|-------------|
|----------|----------|-------------|

H-700 Stop, chrome plated: Screwdriver Angle Stop with H-1010-A Vandal Resistant Cap



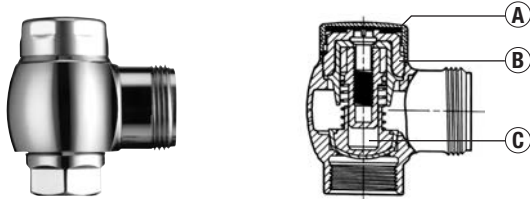
Complete Stops

| | | |
|----------------|----------|--|
| 3308384 | H-700-A | 3/4" NPTF inlet for adjustable tail |
| 3308386 | H-700-A | 1" NPTF inlet for adjustable tail |
| 3308385 | H-700-AG | 3/4" NPTF inlet for ground joint tail |
| 3308387 | H-700-AG | 1" NPTF inlet for ground joint tail |
| 3308388 | H-700-AW | 1" Whitworth inlet for adjustable tail |

Repair Parts

| | | |
|----------------|-----------|--|
| 3308772 | H-1010-A | Ⓐ Vandal Resistant Cap*, chrome plated |
| 0308612 | H-622 | Ⓑ Bonnet, chrome plated |
| 3308853 | H-541-ASD | Ⓒ Control Stop Repair Kit* |

H-710 Stop, chrome plated: Screwdriver Angle Stop with H-573-A Locking Vandal Resistant Cap



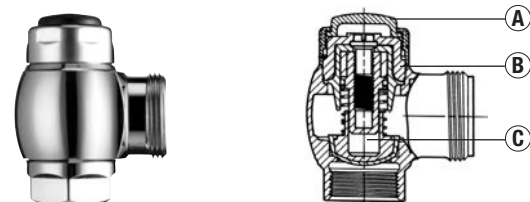
Complete Stops

| | | |
|----------------|------------|--|
| 0388025 | H-710-A | 3/4" NPTF inlet for adjustable tail |
| 0388022 | H-710-A | 1" NPTF inlet for adjustable tail |
| 0388026 | H-710-AG | 3/4" NPTF inlet for ground joint tail |
| 0388024 | H-710-AG | 1" NPTF inlet for ground joint tail |
| 0388037 | H-710-AW | 1" Whitworth inlet for adjustable tail |
| 0388062 | H-710-AAR | 1" BSP British Standard Pipe inlet for adjustable tail |
| 0388043 | NH-710-A | 1" NPTF inlet for adjustable tail (Naval brass) |
| 0388048 | NH-710-AG | 3/4" NPTF inlet for ground joint tail (Naval brass) |
| 0388058 | NH-710-AG | 1" NPTF inlet for ground joint tail (Naval brass) |
| 0388042 | NH-710-AW | 1" Whitworth inlet for adjustable tail (Naval brass) |
| 0388045 | NH-710-AGW | 1" Whitworth inlet for ground joint tail (Naval brass) |
| 0388044 | NH-710-AGS | 1" NPSM inlet for ground joint tail (Naval brass) |

Repair Parts

| | | |
|----------------|-----------|--|
| 3308840 | H-573-A | Ⓐ Locking Vandal Resistant Cap*, chrome plated |
| 0308612 | H-622 | Ⓑ Bonnet, chrome plated |
| 3308853 | H-541-ASD | Ⓒ Control Stop Repair Kit* |

H-720 Stop, chrome plated: Screwdriver Angle Stop with H-574 Short bumper Cap (-YO Variation)



Complete Stops

| | | |
|----------------|----------|--|
| 0388034 | H-720-A | 1" NPTF inlet for adjustable tail |
| 0388033 | H-720-AG | 1" NPTF inlet for ground joint tail |
| 0388038 | H-720-AW | 1" Whitworth inlet for adjustable tail |

Repair Parts

| | | |
|----------------|-----------|---|
| 3308866 | H-574 | Ⓐ Stop Cap with Seat Bumper*, chrome plated |
| 0308612 | H-622 | Ⓑ Bonnet, chrome plated |
| 3308853 | H-541-ASD | Ⓒ Control Stop Repair Kit* |

*Refer to page 98 for diagrams of our Stop Caps and page 99 for the components supplied in our Control Stop Repair Kits.

CONTROL STOP AND REPLACEMENT PARTS