

## Accessories Heater Kits

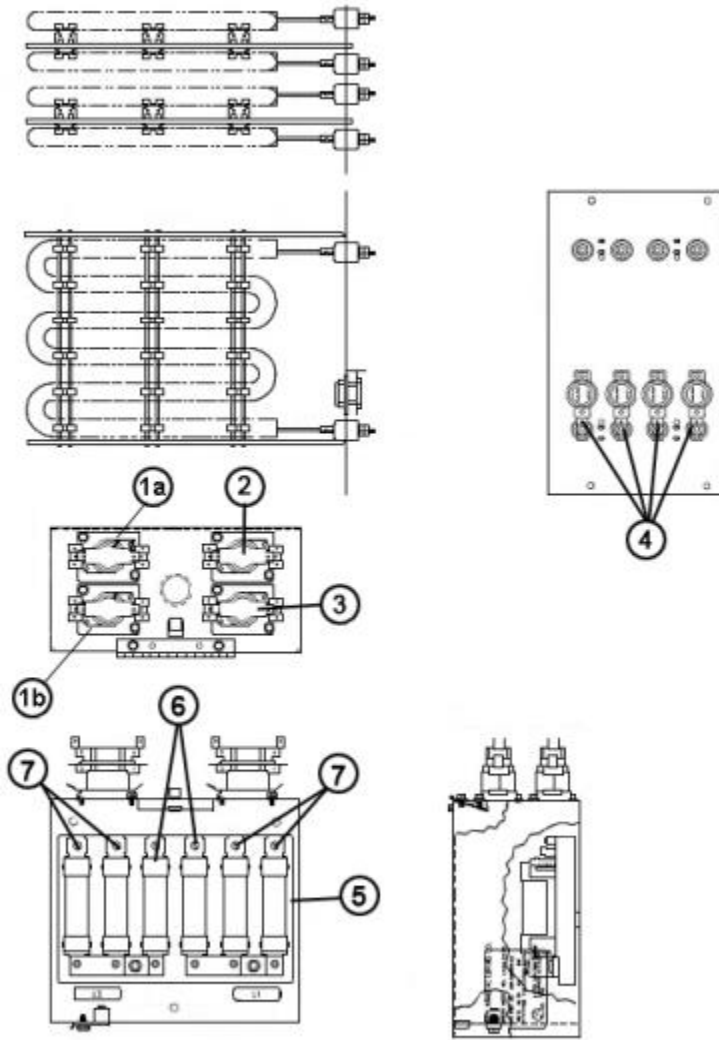


# RXQJ-C20J

Parts List  
02-February-2018

*This parts list is current as of the above revision date.  
See <http://www.rheempartslists.net/92-42800-RXQJ-C20J.pdf> for the current revision.*

No.	Notes	Part Description	Part No.
		<b>FOR UNITS WITH SERIAL NUMBER BEGINNING WITH PA or PD, Before Date Code 1015:</b>	
1a		Sequencer (1)	425072
1b		Sequencer (1)	425072
2		Sequencer (1)	425074
3		Sequencer (1)	425073
4		Limit (4)	425071
5		Fuse Block	455125
6		Time Delay Fuse - 60A (2)	442038
7		Fuse - 60A (4)	442034
		<b>FOR UNITS WITH SERIAL NUMBER BEGINNING WITH PA or PD, On or After Date Code 1015:</b>	
1b		Sequencer (1)	PD425126
2		Sequencer (1)	PD425127
3		Sequencer (1)	PD425127
4		Limit (4)	425071
5		Fuse Block	455125
6		Time Delay Fuse - 60A (2)	442038
7		Fuse - 60A (4)	442034
		<b>FOR UNITS WITH SERIAL NUMBER BEGINNING WITH PN:</b>	
		Sequencer (1) (Single Pole: HT 1-30, CT 30-60)	425077
		Sequencer (1) (Double Pole: HT 1-30, CT 30-60)	PD425078
		Sequencer (1) (Double Pole: HT 30-60, CT 1-30)	425079
		Limit (4)	470031
		Circuit Breaker (3) - 60 Amp, 2 Pole	42-23201-01



Drawing of RXQJ C020J