



RLNL-B

Parts List
03-October-2017



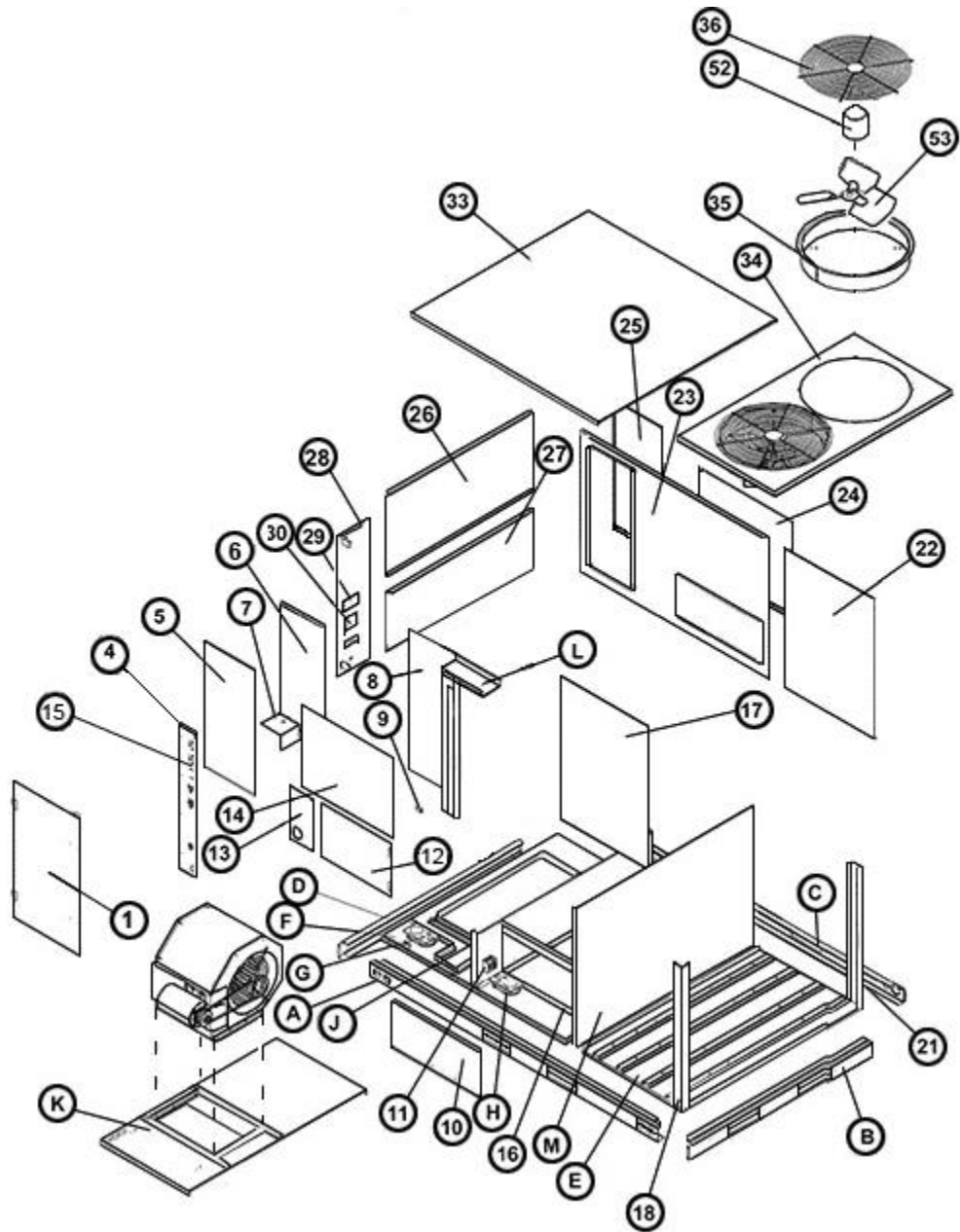
*This parts list is current as of the above revision date.
See <http://www.rheempartslists.net/92-42800-RLNL-B.pdf> for the current revision.*

Package Air Conditioners - Commercial

No.	Notes	MODEL TECHNICAL VARIATION COOLING CAPACITY	RLNL- B 180-300
ACCESSORIES			
		Carbon Dioxide Sensor	RXXR-AR02
		Dual Enthalpy Kit	RXXR-AV02
		Manual Fresh Air Damper (Neutra Green)	RXRF-KFA1
		Manual Fresh Air Damper (Granite/Steel Gray)	AXRF-KFA1
		Motorized Kit for ()XRF-KFA1	RXXR-AW03
		Freeze Stat Kit	RXXR-AM03
		Unwired Convenience Outlet	RXXR-AN01
		Low Ambient Control Kit (1 Per Compressor)	RXRZ-C02
		Louver Panel Kit (Hail Guard) - Left and Right (Granite/Steel Gray)	AXRX-AAD01L

No.	Notes	MODEL TECHNICAL VARIATION COOLING CAPACITY	RLNL- B 180-300
ECONOMIZERS			
		Downflow Economizer - Single Enthalpy (Neutra Green)	RXRD-PGCM3
		Downflow Economizer - Single Enthalpy (Granite/Steel Gray)	AXRD-PGCM3
		Downflow Economizer - Single Enthalpy w/Smoke Detector (Neutra Green)	RXRD-SGCM3
		Downflow Economizer - Single Enthalpy w/Smoke Detector (Granite/Steel Gray)	AXRD-SGCM3
		Horizontal Economizer - Single Enthalpy (Neutra Green)	RXRD-RGCM3
		Horizontal Economizer - Single Enthalpy (Granite/Steel Gray)	AXRD-RGCM3

No.	Notes	MODEL TECHNICAL VARIATION COOLING CAPACITY	RLNL- B 180-300
POWER EXHAUST			
		Power Exhaust	RXXR-BGF05C
		Power Exhaust	RXXR-BGF05D
		Power Exhaust	RXXR-BGF05Y



Exploded View 072-151