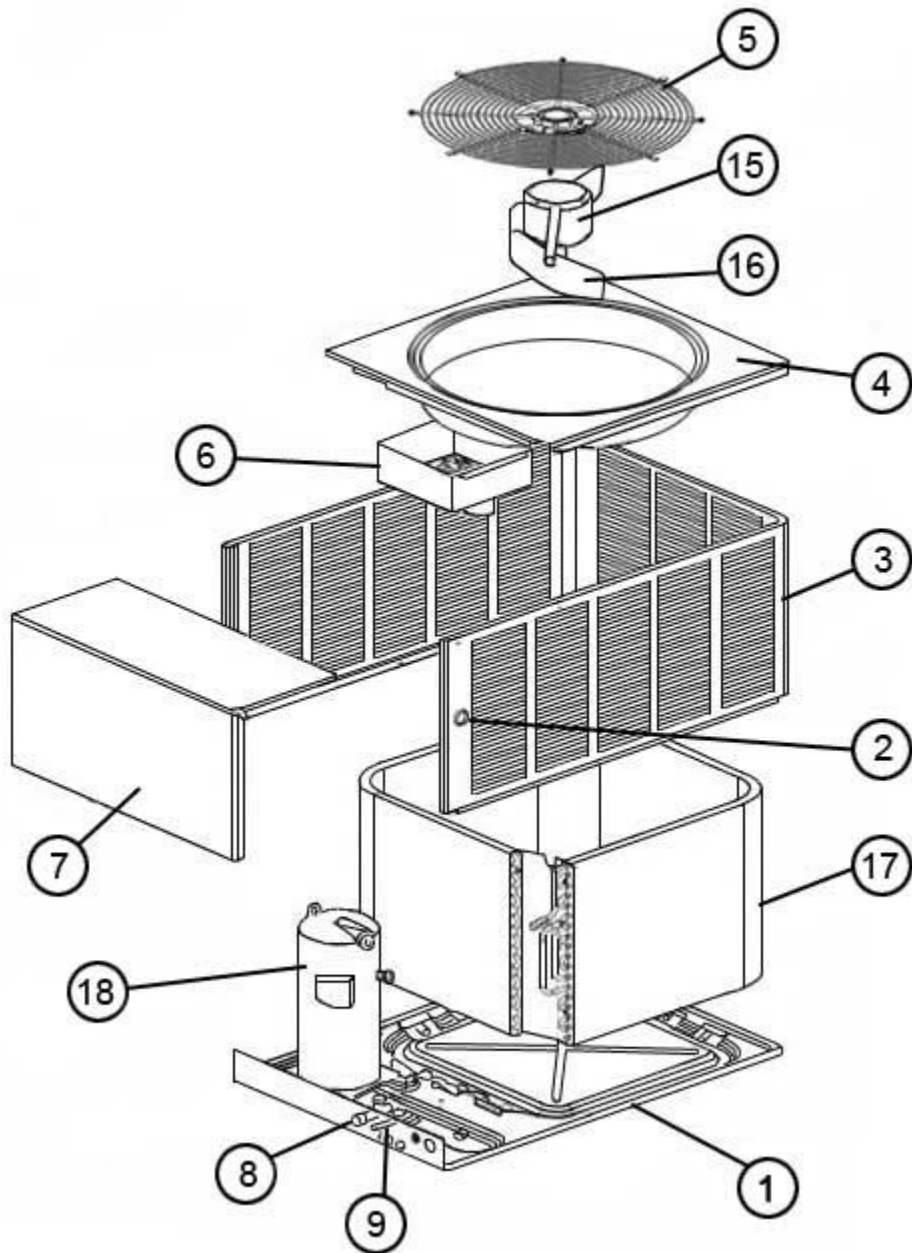


No.	Notes	MODEL COOLING CAPACITY VARIATION	UARL	UARL	UARL	UARL	UARL	UARL
			-024 JAZ/JEZ	-025 JEZ	-036 JAZ/JEZ	-037 JEZ	-038 JEZ	-048 JAZ/JEZ
<b>FAN GROUP</b>								
15	Stk,2	Fan Motor	51-100999-02	51-100999-02	51-100998-08 (See Note 2)	51-102728-02	51-100998-08	51-100998-08 (See Note 2)
11		Capacitor - Fan Motor	See Compressor Group					
16	Stk	Fan Blade	70-19896-03	70-19896-03	70-21858-17	70-21858-17	70-104092-01	70-21858-17
	Stk,1	Wiring Harness - Fan Motor (JEZ) - See Note 1	N/A	N/A	N/A	45-102122-01	N/A	N/A
	Stk,1	Wiring Harness - 6 Pin on Board to single Quick Connect on Board (JEZ Models) - See Note 1	45-102120-01	45-102120-01	45-102120-01	N/A	45-102120-01	45-102120-01

No.	Notes	MODEL COOLING CAPACITY VARIATION	UARL	UARL	UARL			
			-049 JEZ	-060 JAZ/JEZ	-061 JEZ			
<b>FAN GROUP</b>								
15	Stk,2	Fan Motor	51-100998-08	51-101548-03	51-102728-03			
11		Capacitor - Fan Motor	See Compressor Group					
16	Stk	Fan Blade	70-104092-01	70-21858-17	70-104092-01			
	Stk,1	Wiring Harness - Fan Motor (JEZ) - See Note 1	N/A	45-102122-01	45-102122-01			
	Stk,1	Wiring Harness - 6 Pin on Board to single Quick Connect on Board (JEZ) - See Note 1	45-102120-01	N/A	N/A			

No.	Notes	MODEL COOLING CAPACITY VARIATION	UARL	UARL	UARL	UARL	UARL	UARL
			-024 JEC	-025 JEC	-036 JEC	-037 JEC	-038 JEC	-048 JEC
<b>FAN GROUP</b>								
15	Stk,2	Fan Motor	51-100999-02	51-100999-02	51-100998-08 (See Note 2)	51-102728-02	51-100998-08	51-100998-08 (See Note 2)
11		Capacitor - Fan Motor	See Compressor Group					
16	Stk	Fan Blade	70-19896-03	70-19896-03	70-21858-17	70-21858-17	70-104092-01	70-21858-17
	Stk,1	Wiring Harness - Fan Motor - See Note 1	N/A	N/A	N/A	45-102122-01	N/A	N/A
	Stk,1	Wiring Harness - 6 Pin on Board to single Quick Connect on Board - See Note 1	45-102120-02	45-102120-02	45-102120-02	N/A	45-102120-02	45-102120-02

No.	Notes	MODEL COOLING CAPACITY VARIATION	UARL	UARL	UARL			
			-049 JEC	-060 JEC	-061 JEC			
<b>FAN GROUP</b>								
15	Stk,2	Fan Motor	51-100998-08	51-101548-03	51-102728-03			
11		Capacitor - Fan Motor	See Compressor Group					
16	Stk	Fan Blade	70-104092-01	70-21858-17	70-104092-01			
	Stk,1	Wiring Harness - Fan Motor - See Note 1	N/A	45-102122-01	45-102122-01			
	Stk,1	Wiring Harness - 6 Pin on Board to single Quick Connect on Board - See Note 1	45-102120-02	N/A	N/A			



Exploded View