



RGTM

Parts List
02-October-2017

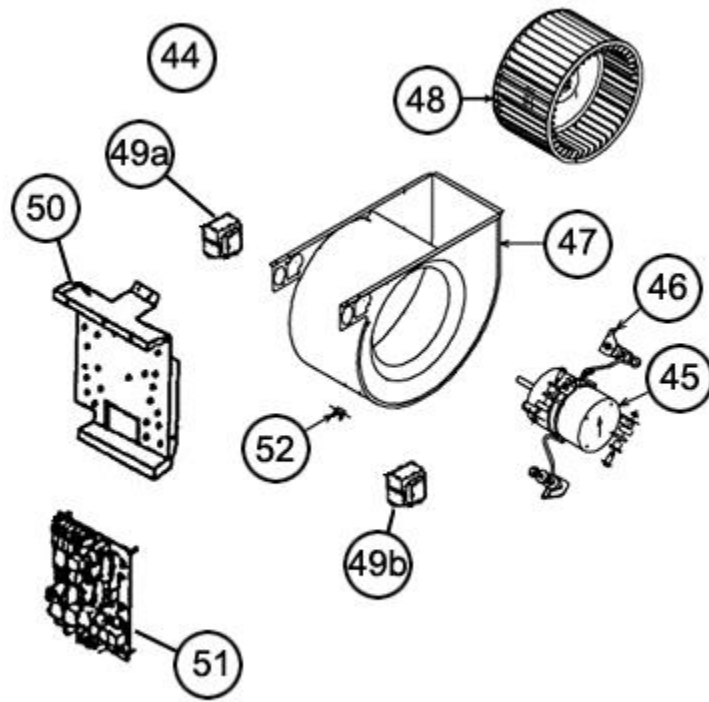


*This parts list is current as of the above revision date.
See <http://www.rheempartslists.net/92-42800-RGTM.pdf> for the current revision.*

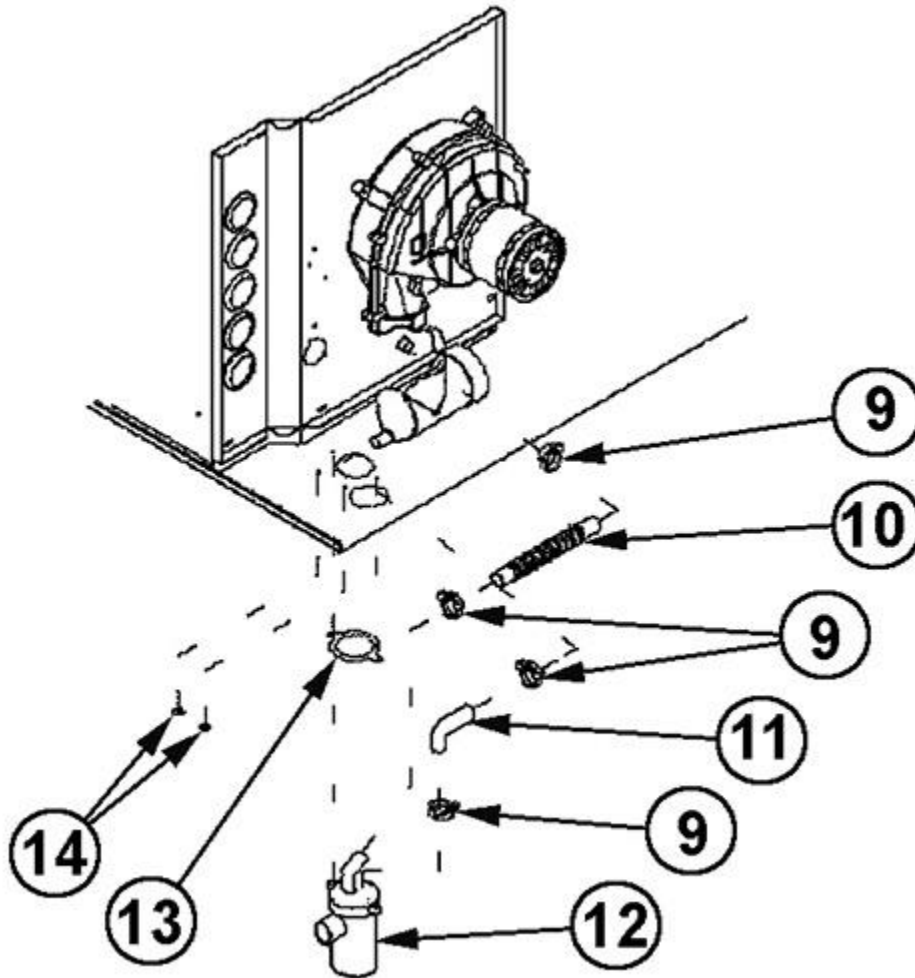
95% Gas Furnaces - 2 Stage

No.	Notes	MODEL HEATING CAPACITY BLOWER DESIGNATION VARIATION HEAT/COOL DESIGNATION	RGTM- 06E/N M A E	RGTM- 07E/N R B G	RGTM- 09E/N Z A J	RGTM- 10E/N R B J
HEAT EXCHANGER, BURNER / MANIFOLD						
18		Limit - Main Limit (Heat Exchanger Panel)	See Electrical Group			
19	Stk	Heat Exchanger Assembly	AS-67818-37	AS-67818-38	AS-67818-39	AS-67818-40
		Turbulator	AE-61816-01 (4)	AE-61816-01 (5)	AE-61816-01 (6)	AE-61816-01 (7)
20		Baffle	AE-61875-01	AE-61876-01	AE-61875-01	AE-61876-01
21		Rear Baffle	AE-61878-01	AE-61878-02	AE-61878-02	AE-61878-03
22		Baffle	AE-61875-02	AE-61876-02	AE-61875-02	AE-61876-02
24		Heat Exchanger Bracket	AE-61959-01	AE-61959-01	AE-61959-01	AE-61959-01
23		Heat Exchanger Bracket	AE-67846-02	AE-67846-02	AE-67846-02	AE-67846-02
		NOX Burner Inserts	AE-67863-01 (3)	AE-67863-01 (4)	AE-67863-01 (5)	AE-67863-01 (6)
		NOX Retaining Bracket	AE-67864-01	AE-67864-02	AE-67864-03	AE-67864-04
55	Stk	Burner Assembly	AS-61984-04	AS-61984-05	AS-61984-06	AS-61984-07
56		Burner Support Bracket (2)	AE-61808-03	AE-61808-03	AE-61808-03	AE-61808-03
57a		Burner Support	AE-61809-17	AE-61809-18	AE-61809-19	AE-61809-20
57b		Burner Support Angle	AE-67880-01	AE-67880-02	AE-67880-03	AE-67880-04
58		Burner Shield	AE-61807-07	AE-61807-08	AE-61807-09	AE-61807-10
59	Stk	Manifold (w/o Orifices)	81-24396-02	81-24396-03	81-24396-04	81-24396-05
		Burner Orifice - Natural Gas	See Orifice Selection Chart			
		Burner Orifice - LP	See Orifice Selection Chart			
		Number of Orifices	(4)	(5)	(6)	(7)
61		Limit - Manual Reset (Burner Compartment) (2)	See Electrical Group			

No.	Notes	MODEL GAS CODE	RGTM HQ	RGTM HR		
GAS CONTROLS						
	Stk	Gas Valve - Natural Gas	60-24394-01	60-101921-01		
	Stk,1,2	Gas Valve - LP	See Note 2			
51	Stk	Integrated Furnace Control Board (IFC)	62-103189-01	62-103189-01		
	Stk	Flame Sensor	62-23543-05	62-23543-05		
	Stk	Spark Ignitor	62-24271-02	62-24271-02		
	Stk	LP Conversion Kit	FP-26	FP-31		



Blower Assembly



Horizontal Installation Parts