



RGDG

Parts List
27-December-2017



*This parts list is current as of the above revision date.
See <http://www.rheempartslists.net/92-42800-RGDG.pdf> for the current revision.*

80% Gas Furnaces

No.	Notes	MODEL GAS CODE (TYPE)	RGDG BW (SP)	RGDG BX (SP)	RGDG BY (SP)	RGDG BZ (SP)
GAS CONTROLS - ROBERTSHAW						
28	Stk	Gas Valve - Natural Gas	60-22525-10	60-22525-10	60-22525-10	60-22525-10
28	Stk,3	Gas Valve - LP	See Note 3	See Note 3	See Note 3	See Note 3
14	Stk,6	Blower/Inducer Control Board	47-22827-01	47-22830-01	47-22693-01	47-22828-01
30		Exhaust Hood Assembly	AS-61654-01	AS-61654-01	AS-61654-01	AS-61654-01
Verify pilot vendor before ordering parts						
	Stk, 4	Pilot Assembly (Honeywell) - See Note 4 (On or before approximate Date Code F3792)	62-22834-01 See Note 4	62-22834-01 See Note 4	62-22834-01 See Note 4	62-22834-01 See Note 4
33	Stk	Pilot Assembly (Robertshaw) (NG - Natural Gas) (After approximate Date Code F3792)	62-22864-02	62-22864-02	62-22864-02	62-22864-02
	Stk	Pilot Orifice - Natural Gas	62-22832-02	62-22832-02	62-22832-02	62-22832-02
	Stk,5	Pilot Orifice Kit - LP	62-22834-83	62-22834-83	62-22834-83	62-22834-83
31	Stk	Thermocouple (Honeywell)	62-22348-02	62-22348-02	62-22348-02	62-22348-02
31	Stk	Thermocouple (Robertshaw)	62-19635-02	62-19635-02	62-19635-02	62-19635-02
		Pilot Tubing (Robertshaw) - Sizes 045,04M,050,05M,067,075,07M,(100 - Before F4591)	AE-60777-60	AE-60777-60	AE-60777-60	AE-60777-60
		Pilot Tubing (Robertshaw) - Sizes 100,10M	AE-60777-62	AE-60777-62	AE-60777-62	AE-60777-62
		Pilot Tubing (Robertshaw) - Sizes 125,12M	AE-60777-64	AE-60777-64	AE-60777-64	AE-60777-64
		Pilot Tubing (Robertshaw) - Sizes 150,15M	AE-60777-66	AE-60777-66	AE-60777-66	AE-60777-66
		Pilot Tubing (Honeywell) - Sizes 045,04M,050,05M,067,075,07M,(100 - Before F4591)	AE-60777-61	AE-60777-61	AE-60777-61	AE-60777-61
		Pilot Tubing (Honeywell) - Sizes 100,10M - (F4591 - F0894)	AE-60777-63	AE-60777-63	AE-60777-63	AE-60777-63
		Pilot Tubing (Honeywell) - Sizes 100,10M - (After F0894)	AE-60777-65	AE-60777-65	AE-60777-65	AE-60777-65
		Pilot Tubing (Honeywell) - Sizes 125,12M	AE-60777-65	AE-60777-65	AE-60777-65	AE-60777-65
		Pilot Tubing (Honeywell) - Sizes 150,15M	AE-60777-67	AE-60777-67	AE-60777-67	AE-60777-67
32		Pilot Bracket	AE-61658-01	AE-61658-01	AE-61658-01	AE-61658-01
		Pilot Shield	AE-61757-01	AE-61757-01	AE-61757-01	AE-61757-01
		LP Conversion Kit:				
	Stk	U.S. Models	FP-15	FP-15	FP-15	FP-15
	Stk	Canadian Models	FP-04	FP-04	FP-04	FP-04
For 07 Models manufactured before F0191 - See Field Test Parts 07						

No.	Notes	MODEL GAS CODE (TYPE)	RGDG BT (HSI)	RGDG CA (HSI)		
GAS CONTROLS - ROBERTSHAW						
28	Stk	Gas Valve - Natural Gas	60-22525-11	60-22525-11		
28	Stk,3	Gas Valve - LP	See Note 3	See Note 3		
14	Stk	Integrated Furnace Control Board (IFC)	62-22737-07	62-22694-01		
	Stk	Flame Sensor	62-23543-01	62-23543-01		
29	Stk	Ignitor	62-22868-02	62-22868-02		
		Ignitor Bracket	AE-61581-01	AE-61581-01		
		Ignitor Shield	AE-61627-01	AE-61627-01		
		LP Conversion Kit:				
	Stk	U.S. Models	FP-15	FP-15		
	Stk	Canadian Models	FP-04	FP-04		
For 07 Models manufactured before F0191 - See Field Test Parts 07						

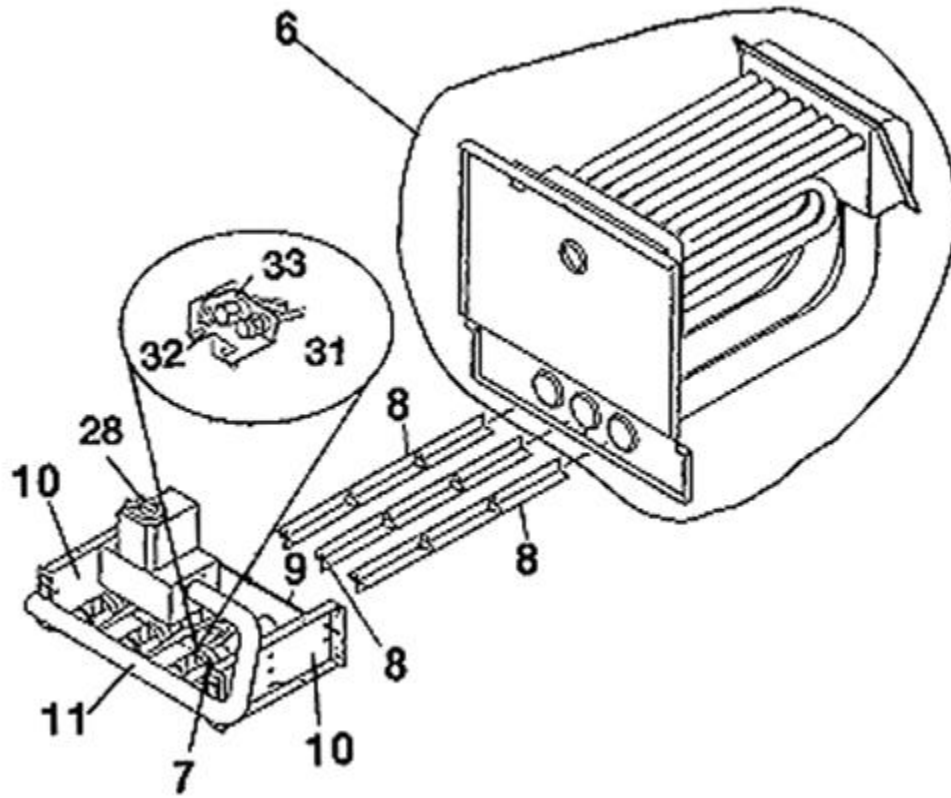
No.	Notes	MODEL GAS CODE (TYPE)	RGDG BA (SP)	RGDG BB (SP)	RGDG BL (SP)	RGDG BG (SP)	RGDG CB (SP)	RGDG CC (SP)
GAS CONTROLS - HONEYWELL								
28	Stk	Gas Valve - Natural Gas	60-22174-02	60-22174-02	60-22174-02	60-22174-02	60-22174-02	60-22174-02
28	Stk,3	Gas Valve - LP	See Note 3	See Note 3	See Note 3	See Note 3	See Note 3	See Note 3
14	Stk,6	Blower/Inducer Control Board	47-22827-01	47-22830-01	47-22828-01	47-22693-01	47-22827-03	47-22828-02
30		Exhaust Hood Assembly	AS-61654-01	AS-61654-01	AS-61654-01	AS-61654-01	AS-61654-01	AS-61654-01
Verify pilot vendor before ordering parts								
	Stk, 4	Pilot Assembly (Honeywell) - See Note 4 (On or before approximate Date Code F3792)	62-22834-01 See Note 4	62-22834-01 See Note 4	62-22834-01 See Note 4	62-22834-01 See Note 4	62-22834-01 See Note 4	62-22834-01 See Note 4
33	Stk	Pilot Assembly (Robertshaw) (NG - Natural Gas) (After approximate Date Code F3792)	62-22864-02	62-22864-02	62-22864-02	62-22864-02	62-22864-02	62-22864-02
	Stk	Pilot Orifice - Natural Gas	62-22832-02	62-22832-02	62-22832-02	62-22832-02	62-22832-02	62-22832-02
	Stk,5	Pilot Orifice Kit - LP	62-22834-83	62-22834-83	62-22834-83	62-22834-83	62-22834-83	62-22834-83
31	Stk	Thermocouple (Honeywell)	62-22348-02	62-22348-02	62-22348-02	62-22348-02	62-22348-02	62-22348-02
31	Stk	Thermocouple (Robertshaw)	62-19635-02	62-19635-02	62-19635-02	62-19635-02	62-19635-02	62-19635-02
		Pilot Tubing (Robertshaw) - Sizes 045,04M,050,05M,067,075,07M,100 (Before F4591)	AE-60777-60	AE-60777-60	AE-60777-60	AE-60777-60	AE-60777-60	AE-60777-60
		Pilot Tubing (Robertshaw) - Sizes 100,10M	AE-60777-62	AE-60777-62	AE-60777-62	AE-60777-62	AE-60777-62	AE-60777-62
		Pilot Tubing (Robertshaw) - Sizes 125,12M	AE-60777-64	AE-60777-64	AE-60777-64	AE-60777-64	AE-60777-64	AE-60777-64
		Pilot Tubing (Robertshaw) - Sizes 150,15M	AE-60777-66	AE-60777-66	AE-60777-66	AE-60777-66	AE-60777-66	AE-60777-66
		Pilot Tubing (Honeywell) - Sizes 045,04M,050,05M,067,075,07M,100 (Before F4591)	AE-60777-61	AE-60777-61	AE-60777-61	AE-60777-61	AE-60777-61	AE-60777-61
		Pilot Tubing (Honeywell) - Sizes 100,10M - (F4591 - F0894)	AE-60777-63	AE-60777-63	AE-60777-63	AE-60777-63	AE-60777-63	AE-60777-63
		Pilot Tubing (Honeywell) - Sizes 100,10M - (After F0894)	AE-60777-65	AE-60777-65	AE-60777-65	AE-60777-65	AE-60777-65	AE-60777-65
		Pilot Tubing (Honeywell) - Sizes 125,12M	AE-60777-65	AE-60777-65	AE-60777-65	AE-60777-65	AE-60777-65	AE-60777-65
		Pilot Tubing (Honeywell) - Sizes 150,15M	AE-60777-67	AE-60777-67	AE-60777-67	AE-60777-67	AE-60777-67	AE-60777-67
32		Pilot Bracket	AE-61658-01	AE-61658-01	AE-61658-01	AE-61658-01	AE-61658-01	AE-61658-01
		Pilot Shield	AE-61757-01	AE-61757-01	AE-61757-01	AE-61757-01	AE-61757-01	AE-61757-01
		LP Conversion Kit:						
	Stk	U.S. Models	FP-15	FP-15	FP-15	FP-15	FP-15	FP-15
	Stk	Canadian Models	FP-04	FP-04	FP-04	FP-04	FP-04	FP-04

No.	Notes	MODEL GAS CODE (TYPE)	RGDG BR (HSI)	RGDG CE (HSI)	RGDG CV (HSI)	RGDG CW (HSI)	RGDG CX (HSI)	RGDG CY (HSI)
GAS CONTROLS - HONEYWELL								
28	Stk	Gas Valve - Natural Gas	60-22866-01	60-22866-01	60-22866-01	60-22866-01	60-22866-01	60-22866-01
28	Stk,3	Gas Valve - LP	See Note 3	See Note 3	See Note 3	See Note 3	See Note 3	See Note 3
14	Stk	Integrated Furnace Control Board (IFC)	62-22737-06	62-22694-02	62-22694-03	62-22737-08	62-22737-10	62-22694-11
	Stk	Flame Sensor	62-23543-01	62-23543-01	62-23543-01	62-23543-01	62-23543-01	62-23543-01
29	Stk	Ignitor	62-22868-02	62-22868-02	62-22868-02	62-22868-02	62-22868-02	62-22868-02
		Ignitor Bracket	AE-61581-01	AE-61581-01	AE-61581-01	AE-61581-01	AE-61581-01	AE-61581-01
		Ignitor Shield	AE-61627-01	AE-61627-01	AE-61627-01	AE-61627-01	AE-61627-01	AE-61627-01
		LP Conversion Kit:						
	Stk	U.S. Models	FP-15	FP-15	FP-15	FP-15	FP-15	FP-15
	Stk	Canadian Models	FP-04	FP-04	FP-04	FP-04	FP-04	FP-04

No.	Notes	MODEL GAS CODE (TYPE)	RGDG BS (HSI)	RGDG CD (HSI)	RGDG CM (HSI)	RGDG CS (HSI)	RGDG CT (HSI)	RGDG CU (HSI)
GAS CONTROLS - HONEYWELL								
28	Stk	Gas Valve - Natural Gas	60-22866-01	60-22866-01	60-22866-01	60-22866-01	60-22866-01	60-22866-01
28	Stk,3	Gas Valve - LP	See Note 3	See Note 3	See Note 3	See Note 3	See Note 3	See Note 3
14	Stk	Integrated Furnace Control Board (IFC)	62-22694-01	62-22737-07	62-22694-03	62-22737-08	62-22737-10	62-22694-11
	Stk	Flame Sensor	62-23543-01	62-23543-01	62-23543-01	62-23543-01	62-23543-01	62-23543-01
29	Stk	Ignitor	62-22868-02	62-22868-02	62-22868-02	62-22868-02	62-22868-02	62-22868-02
		Ignitor Bracket	AE-61581-01	AE-61581-01	AE-61581-01	AE-61581-01	AE-61581-01	AE-61581-01
		Ignitor Shield	AE-61627-01	AE-61627-01	AE-61627-01	AE-61627-01	AE-61627-01	AE-61627-01
		LP Conversion Kit:						
	Stk	U.S. Models	FP-15	FP-15	FP-15	FP-15	FP-15	FP-15
	Stk	Canadian Models	FP-04	FP-04	FP-04	FP-04	FP-04	FP-04

No.	Notes	MODEL GAS CODE (TYPE)	RGDG DC (HSI)	RGDG DF (HSI)				
GAS CONTROLS - HONEYWELL								
28	Stk	Gas Valve - Natural Gas	60-22866-01	60-22866-01				
28	Stk,3	Gas Valve - LP	See Note 3	See Note 3				
14	Stk	Integrated Furnace Control Board (IFC)	62-24044-01	62-24084-02				
	Stk	Flame Sensor	62-23543-01	62-23543-01				
29	Stk	Ignitor	62-22868-02	62-22868-02				
		Ignitor Bracket	AE-61581-01	AE-61581-01				
		Ignitor Shield	AE-61627-01	AE-61627-01				
		LP Conversion Kit:						
	Stk	U.S. Models	FP-15	FP-15				
	Stk	Canadian Models	FP-04	FP-04				

No.	Notes	MODEL GAS CODE (TYPE)	RGDG DA (HSI)	RGDG DB (HSI)	RGDG DG (HSI)	RGDG DH (HSI)
GAS CONTROLS - WHITE RODGERS						
28	Stk	Gas Valve - Natural Gas	60-23490-01	60-23490-01	60-23490-01	60-23490-01
28	Stk,3	Gas Valve - LP	See Note 3	See Note 3	See Note 3	See Note 3
14	Stk	Integrated Furnace Control Board (IFC)	62-22737-08	62-22694-11	62-24084-02	62-24044-01
	Stk	Flame Sensor	62-23543-01	62-23543-01	62-23543-01	62-23543-01
29	Stk	Ignitor	62-22868-02	62-22868-02	62-22868-02	62-22868-02
		Ignitor Bracket	AE-61581-01	AE-61581-01	AE-61581-01	AE-61581-01
		Ignitor Shield	AE-61627-01	AE-61627-01	AE-61627-01	AE-61627-01
		LP Conversion Kit:				
	Stk	U.S. Models	FP-15	FP-15	FP-15	FP-15
	Stk	Canadian Models	FP-04	FP-04	FP-04	FP-04



Heat Exchanger Assembly