



RGDG

Parts List
27-December-2017



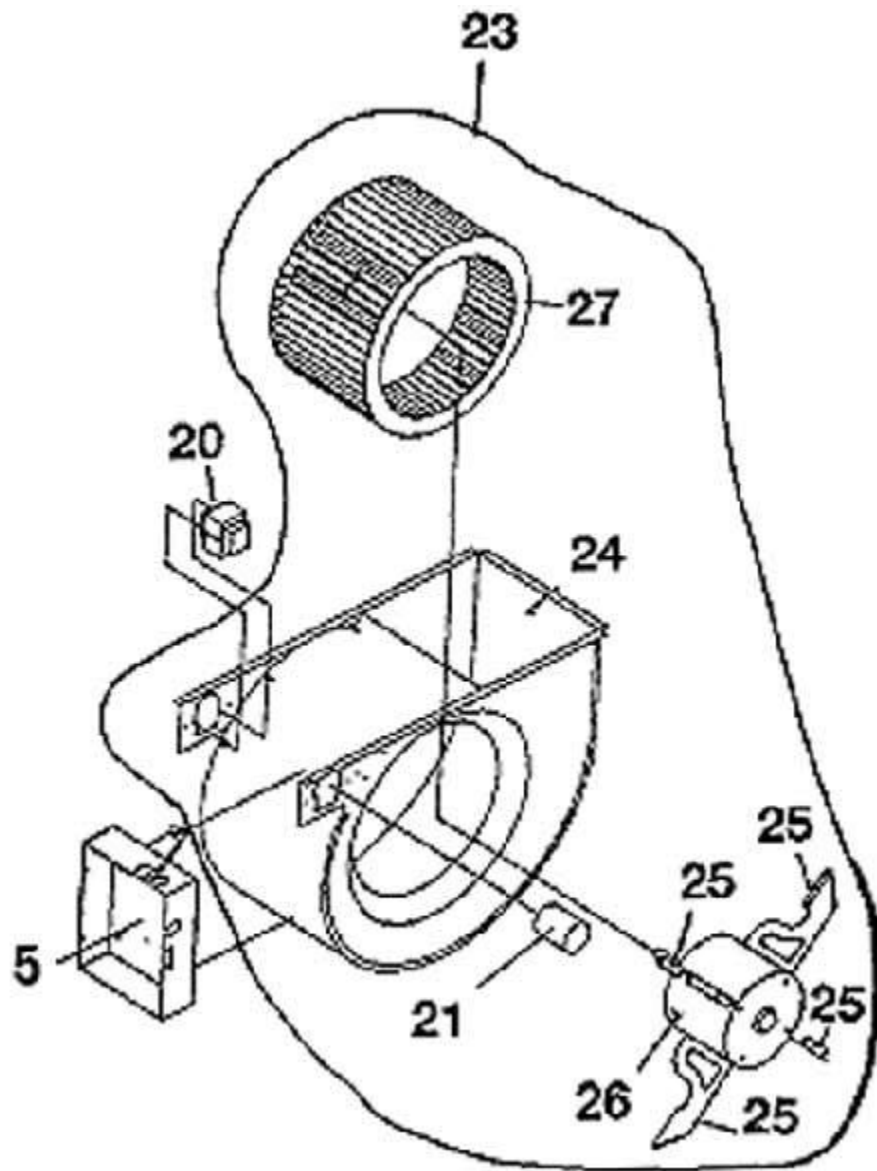
*This parts list is current as of the above revision date.
See <http://www.rheempartslists.net/92-42800-RGDG.pdf> for the current revision.*

80% Gas Furnaces

No.	Notes	MODEL HEATING CAPACITY IGNITION TYPE VARIATION BLOWER DESIGNATION	RGDG- 04 5/M/E/N A U	RGDG 05 0/M A U	RGDG 05 E/N A U	RGDG 06 7 A U	RGDG 06 E/N A U	RGDG 07 5/M A M
PANELS, MISCELLANEOUS PARTS								
1		Jacket	AS-61690-01	AS-61690-01	AS-61690-01	AS-61690-03	AS-61690-03	AS-61690-02
2	1	Top Plate - Canadian Models built w/Jumper Plugs - Before F0793	N/A	AE-61719-01	AE-61719-01	N/A	N/A	N/A
2	1	Top Plate - U.S. and Canadian Models w/o Jumper Plugs - After F0793	AE-61657-01	AE-61657-01	AE-61657-01	AE-61657-02	AE-61657-02	AE-61657-02
3		Blower/Filter Door	AE-61679-01	AE-61679-01	AE-61679-01	AE-61680-01	AE-61680-01	AE-61680-01
4		Burner Door (w/o Plug Button)	AE-61675-01	AE-61675-01	AE-61675-01	AE-61676-01	AE-61676-01	AE-61676-01
		Plug Button - 1-3/16 in opening (2)	45-22980-01	45-22980-01	45-22980-01	45-22980-01	45-22980-01	45-22980-01
5		Control Box (w/o components) - Before F1997	68-22857-01	68-22857-01	68-22857-01	68-22857-01	68-22857-01	68-22857-01
5		Control Mounting Plate - After F1997	AE-61968-01	AE-61968-01	N/A	AE-61968-01	N/A	AE-61968-01
5		Control Mounting Plate - F1997 - F1399	N/A	N/A	AE-61968-01	N/A	AE-61968-01	N/A
5		Control Mounting Plate - After F1399	N/A	N/A	AE-67877-01	N/A	AE-67877-01	N/A
		Jumper Plug - Canadian Models Before F0793	See Electrical Group					
		Silicone Tubing - Pressure Switch	79-21491-83	79-21491-83	79-21491-83	79-21491-83	79-21491-83	79-21491-83
12		Collar - Vent Pressure Detector (Canadian Models Before F0793)	N/A	AE-61507-01	AE-61507-01	N/A	N/A	N/A
14		Integrated Furnace Control Board (IFC)	See Gas Controls					
15		Pressure Switch	See Electrical Group					
16		Door Switch - Push Button	See Electrical Group					
17		Limit - Main Limit (Heat Exchanger Panel)	See Electrical Group					
19		Limit - Manual Reset (Burner Compartment)	See Electrical Group					
20		Transformer	See Electrical Group					
22		Induced Draft Blower w/Gasket	See Electrical Group					
28		Gas Valve	See Gas Controls					
		Filter Retainer Rod	45-24095-01	45-24095-01	45-24095-01	45-24095-01	45-24095-01	45-24095-01
		Filter Support Angle	AE-61883-01	AE-61883-01	AE-61883-01	AE-61883-01	AE-61883-01	AE-61883-01
		Filter Rod Support Angle	AE-60520-01	N/A	N/A	AE-60520-01	AE-60520-01	AE-60520-01
13		Filter - Permanent Plastic	54-24094-01	54-24094-01	54-24094-01	54-24094-01	54-24094-01	54-24094-01
For 07 Models manufactured before F0191 - See Field Test Parts 07								

No.	Notes	MODEL HEATING CAPACITY IGNITION TYPE VARIATION BLOWER DESIGNATION	RGDG	RGDG	RGDG	RGDG	RGDG	RGDG
			07 5/M A U	07 E/N A M	07 E/N A U	10 0/M A U	10 0/M B R	10 E/N A M
PANELS, MISCELLANEOUS PARTS								
1		Jacket	AS-61690-03	AS-61690-02	AS-61690-03	AS-61690-03	AS-61690-04	AS-61690-02
2	1	Top Plate - Canadian Models built w/Jumper Plugs - Before F0793	AE-61719-02	AE-61719-02	AE-61719-02	AE-61719-02	AE-61719-03	AE-61719-02
2	1	Top Plate - U.S. and Canadian Models w/o Jumper Plugs - After F0793	AE-61657-02	AE-61657-02	AE-61657-02	AE-61657-02	AE-61657-03	AE-61657-02
3		Blower/Filter Door	AE-61680-01	AE-61680-01	AE-61680-01	AE-61680-01	AE-61681-01	AE-61680-01
4		Burner Door (w/o Plug Button)	AE-61676-01	AE-61676-01	AE-61676-01	AE-61676-01	AE-61677-01	AE-61676-01
		Plug Button - 1-3/16 in opening (2)	45-22980-01	45-22980-01	45-22980-01	45-22980-01	45-22980-01	45-22980-01
5		Control Box (w/o components) - Before F1997	68-22857-01	68-22857-01	68-22857-01	68-22857-01	68-22857-01	68-22857-01
5		Control Mounting Plate - After F1997	AE-61968-01	N/A	N/A	AE-61968-01	AE-61968-01	N/A
5		Control Mounting Plate - F1997 - F1399	N/A	AE-61968-01	AE-61968-01	N/A	N/A	AE-61968-01
5		Control Mounting Plate - After F1399	N/A	AE-67877-01	AE-67877-01	N/A	N/A	AE-67877-01
		Jumper Plug - Canadian Models Before F0793	See Electrical Group					
		Silicone Tubing - Pressure Switch	79-21491-83	79-21491-83	79-21491-83	79-21491-83	79-21491-83	79-21491-83
12		Collar - Vent Pressure Detector (Canadian Models Before F0793)	AE-61507-02	AE-61507-02	AE-61507-02	AE-61507-02	AE-61507-02	AE-61507-02
14		Integrated Furnace Control Board (IFC)	See Gas Controls					
15		Pressure Switch	See Electrical Group					
16		Door Switch - Push Button	See Electrical Group					
17		Limit - Main Limit (Heat Exchanger Panel)	See Electrical Group					
19		Limit - Manual Reset (Burner Compartment)	See Electrical Group					
20		Transformer	See Electrical Group					
22		Induced Draft Blower w/Gasket	See Electrical Group					
28		Gas Valve	See Gas Controls					
		Filter Retainer Rod	45-24095-01	45-24095-01	45-24095-01	45-24095-01	45-24095-01	45-24095-01
		Filter Support Angle	AE-61883-01	AE-61883-01	AE-61883-01	N/A	AE-61883-01	AE-61883-01
		Filter Rod Support Angle	AE-60520-01	AE-60520-01	AE-60520-01	N/A	AE-60520-01	AE-60520-01
13		Filter - Permanent Plastic	54-24094-01	54-24094-01	54-24094-01	54-24094-01	54-24094-02	54-24094-01
For 07 Models manufactured before F0191 - See Field Test Parts 07								

No.	Notes	MODEL HEATING CAPACITY IGNITION TYPE VARIATION BLOWER DESIGNATION	RGDG	RGDG	RGDG	RGDG	RGDG	RGDG
			10 E/N A U	10 E/N B R	12 5/M A R	12 E/N A R	15 0/M A R	15 E/N A R
PANELS, MISCELLANEOUS PARTS								
1		Jacket	AS-61690-03	AS-61690-04	AS-61690-05	AS-61690-05	AS-61690-05	AS-61690-05
2	1	Top Plate - Canadian Models built w/Jumper Plugs - Before F0793	AE-61719-02	AE-61719-03	AE-61719-04	AE-61719-04	AE-61719-04	AE-61719-04
2	1	Top Plate - U.S. and Canadian Models w/o Jumper Plugs - After F0793	AE-61657-02	AE-61657-03	AE-61657-04	AE-61657-04	AE-61657-04	AE-61657-04
3		Blower/Filter Door	AE-61680-01	AE-61681-01	AE-61682-01	AE-61682-01	AE-61682-01	AE-61682-01
4		Burner Door (w/o Plug Button)	AE-61676-01	AE-61677-01	AE-61678-01	AE-61678-01	AE-61678-01	AE-61678-01
		Plug Button - 1-3/16 in opening (2)	45-22980-01	45-22980-01	45-22980-01	45-22980-01	45-22980-01	45-22980-01
5		Control Box (w/o components) - Before F1997	68-22857-01	68-22857-01	68-22857-01	68-22857-01	68-22857-01	68-22857-01
5		Control Mounting Plate - After F1997	N/A	N/A	AE-61968-01	N/A	AE-61968-01	N/A
5		Control Mounting Plate - F1997 - F1399	AE-61968-01	AE-61968-01	N/A	AE-61968-01	N/A	AE-61968-01
5		Control Mounting Plate - After F1399	AE-67877-01	AE-67877-01	N/A	AE-67877-01	N/A	AE-67877-01
		Jumper Plug - Canadian Models Before F0793	See Electrical Group					
		Silicone Tubing - Pressure Switch	79-21491-83	79-21491-83	79-21491-83	79-21491-83	79-21491-83	79-21491-83
12		Collar - Vent Pressure Detector (Canadian Models Before F0793)	AE-61507-01	AE-61507-02	AE-61507-02	AE-61507-02	AE-61507-03	AE-61507-03
14		Integrated Furnace Control Board (IFC)	See Gas Controls					
15		Pressure Switch	See Electrical Group					
16		Door Switch - Push Button	See Electrical Group					
17		Limit - Main Limit (Heat Exchanger Panel)	See Electrical Group					
19		Limit - Manual Reset (Burner Compartment)	See Electrical Group					
20		Transformer	See Electrical Group					
22		Induced Draft Blower w/Gasket	See Electrical Group					
28		Gas Valve	See Gas Controls					
		Filter Retainer Rod	45-24095-01	45-24095-01	45-24095-01	45-24095-01	45-24095-01	45-24095-01
		Filter Support Angle	N/A	AE-61883-01	AE-61883-01	AE-61883-01	AE-61883-01	AE-61883-01
		Filter Rod Support Angle	N/A	AE-60520-01	AE-60520-01	AE-60520-01	AE-60520-01	AE-60520-01
13		Filter - Permanent Plastic	54-24094-01	54-24094-02	54-24094-03	54-24094-03	54-24094-03	54-24094-03



Blower Assembly