



# RAWD

Parts List  
28-December-2015



*This parts list is current as of the above revision date.  
See <http://www.rheempartslists.net/92-42800-RAWD.pdf> for the current revision.*

**Condensing Units - Commercial**

No.	Notes	MODEL NOMINAL COOLING CAPACITY ELECTRICAL DESIGNATION	RAWD 065 C/P	RAWD 065 D	RAWD 065 N	RAWD 065 Y	
<b>FAN GROUP</b>							
9	Stk	Fan Motor	51-42179-01	51-21853-15	51-21853-15	51-42180-02	
12	Stk	Capacitor - Fan Motor	43-20847-12	43-20847-12	43-20847-12	43-20847-11	
8	Stk	Fan Blade	70-42484-01	70-42484-01	70-42484-01	70-42484-01	

No.	Notes	MODEL NOMINAL COOLING CAPACITY ELECTRICAL DESIGNATION	RAWD 066 C	RAWD 066 D	RAWD 066 Y		
<b>FAN GROUP</b>							
9	Stk	Fan Motor	51-42179-01	51-21853-15	51-100998-28		
12	Stk	Capacitor - Fan Motor	43-100496-12	43-100496-12	43-100496-11		
8	Stk	Fan Blade	70-42484-01	70-42484-01	70-42484-01		

No.	Notes	MODEL NOMINAL COOLING CAPACITY ELECTRICAL DESIGNATION	RAWD 075 C/P	RAWD 075 D	RAWD 075 N	RAWD 075 Y	
<b>FAN GROUP</b>							
9	Stk	Fan Motor	51-42179-01	51-21853-15	51-21853-15	51-42180-02	
12	Stk	Capacitor - Fan Motor	43-20847-12	43-20847-12	43-20847-12	43-100496-11	
8	Stk	Fan Blade	70-42484-01	70-42484-01	70-42484-01	70-42484-01	

No.	Notes	MODEL NOMINAL COOLING CAPACITY ELECTRICAL DESIGNATION	RAWD 076 C/P	RAWD 076 D	RAWD 076 Y		
<b>FAN GROUP</b>							
9	Stk	Fan Motor	51-42179-01	51-21853-15	51-42180-02		
12	Stk	Capacitor - Fan Motor	43-100496-12	43-100496-12	43-100496-11		
8	Stk	Fan Blade	70-42484-01	70-42484-01	70-42484-01		

No.	Notes	MODEL NOMINAL COOLING CAPACITY ELECTRICAL DESIGNATION	RAWD 078 C	RAWD 078 D	RAWD 078 Y	RAWD 090 C	RAWD 090 D
<b>FAN GROUP</b>							
6	Stk	Fan Blade	70-42484-01	70-42484-01	70-42484-01	70-42484-01	70-42484-01
7	Stk	Fan Motor	51-100998-13	51-100998-12	51-100998-14	51-100998-13	51-100998-12
16	Stk	Capacitor - Fan Motor	43-100496-12	43-100496-12	43-100496-11	43-100496-12	43-100496-12

No.	Notes	MODEL NOMINAL COOLING CAPACITY ELECTRICAL DESIGNATION	RAWD 090 Y	RAWD 091 C	RAWD 091 D	RAWD 091 Y	
<b>FAN GROUP</b>							
6	Stk	Fan Blade	70-42484-01	70-42484-01	70-42484-01	70-42484-01	
7	Stk	Fan Motor	51-100998-14	51-42534-19	51-42534-20	51-42534-23	
16	Stk	Capacitor - Fan Motor	43-100496-11	43-100496-12	43-100496-12	43-100496-12	

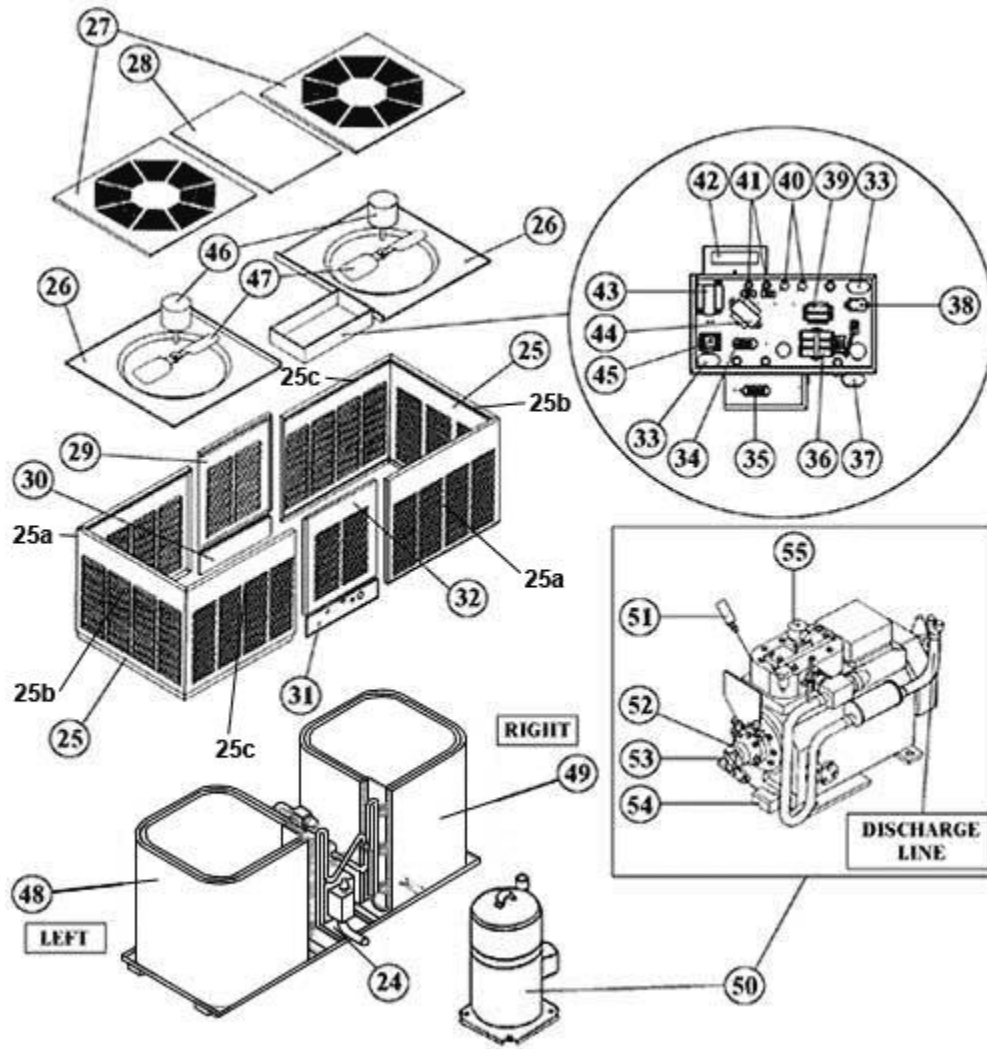
No.	Notes	MODEL NOMINAL COOLING CAPACITY ELECTRICAL DESIGNATION	RAWD 100 C / P	RAWD 100 D	RAWD 100 N	RAWD 100 Y
<b>FAN GROUP</b>						
33	Stk	Capacitor - Fan Motor (2)	43-20847-12	43-20847-12	43-20847-12	43-100496-11
46	Stk	Fan Motor (2)	51-42179-01	51-21853-15	51-21853-15	51-42180-02
47	Stk	Fan Blades (2)	70-42484-01	70-42484-01	70-42484-01	70-42484-01

No.	Notes	MODEL NOMINAL COOLING CAPACITY ELECTRICAL DESIGNATION	RAWD 125 C	RAWD 125 D	RAWD 125 N	RAWD 125 Y
<b>FAN GROUP</b>						
33	Stk	Capacitor - Fan Motor (2)	43-20847-12	43-20847-12	43-20847-12	43-100496-11
46	Stk	Fan Motor (2)	51-42179-01	51-21853-15	51-21853-15	51-42180-02
47	Stk	Fan Blades (2)	70-42484-01	70-42484-01	70-42484-01	70-42484-01

No.	Notes	MODEL NOMINAL COOLING CAPACITY ELECTRICAL DESIGNATION	RAWD 150 C / P	RAWD 150 D	RAWD 150 N	RAWD 150 Y
<b>FAN GROUP</b>						
33	Stk	Capacitor - Fan Motor (2)	43-20847-12	43-20847-12	43-20847-12	43-100496-11
46	Stk	Fan Motor (2)	51-42179-01	51-21853-15	51-21853-15	51-42180-02
47	Stk	Fan Blades (2)	70-42484-01	70-42484-01	70-42484-01	70-42484-01

No.	Notes	MODEL NOMINAL COOLING CAPACITY ELECTRICAL DESIGNATION	RAWD 151 C	RAWD 151 D	RAWD 151 Y	
<b>FAN GROUP</b>						
33	Stk	Capacitor - Fan Motor (2)	43-100496-12	43-100496-12	43-100496-11	
46	Stk	Fan Motor (2)	51-42179-01	51-21853-15	51-42180-02	
47	Stk	Fan Blades (2)	70-42484-01	70-42484-01	70-42484-01	

No.	Notes	MODEL NOMINAL COOLING CAPACITY ELECTRICAL DESIGNATION	RAWD 200 C	RAWD 200 D / N	RAWD 200 P	RAWD 200 Y
<b>FAN GROUP</b>						
	Stk	Capacitor - Fan Motor (Mounted On The Venturi) (3)	43-20847-12	43-20847-12	43-100496-12	43-100496-11
77	Stk	Fan Blade (3)	70-41799-01	70-41799-01	70-41799-01	70-41799-01
78	Stk	Fan Motor (3)	51-42179-01	51-21853-15	51-42179-01	51-42180-02



Exploded View 100-151