

**UNIVERSAL
PARTS**

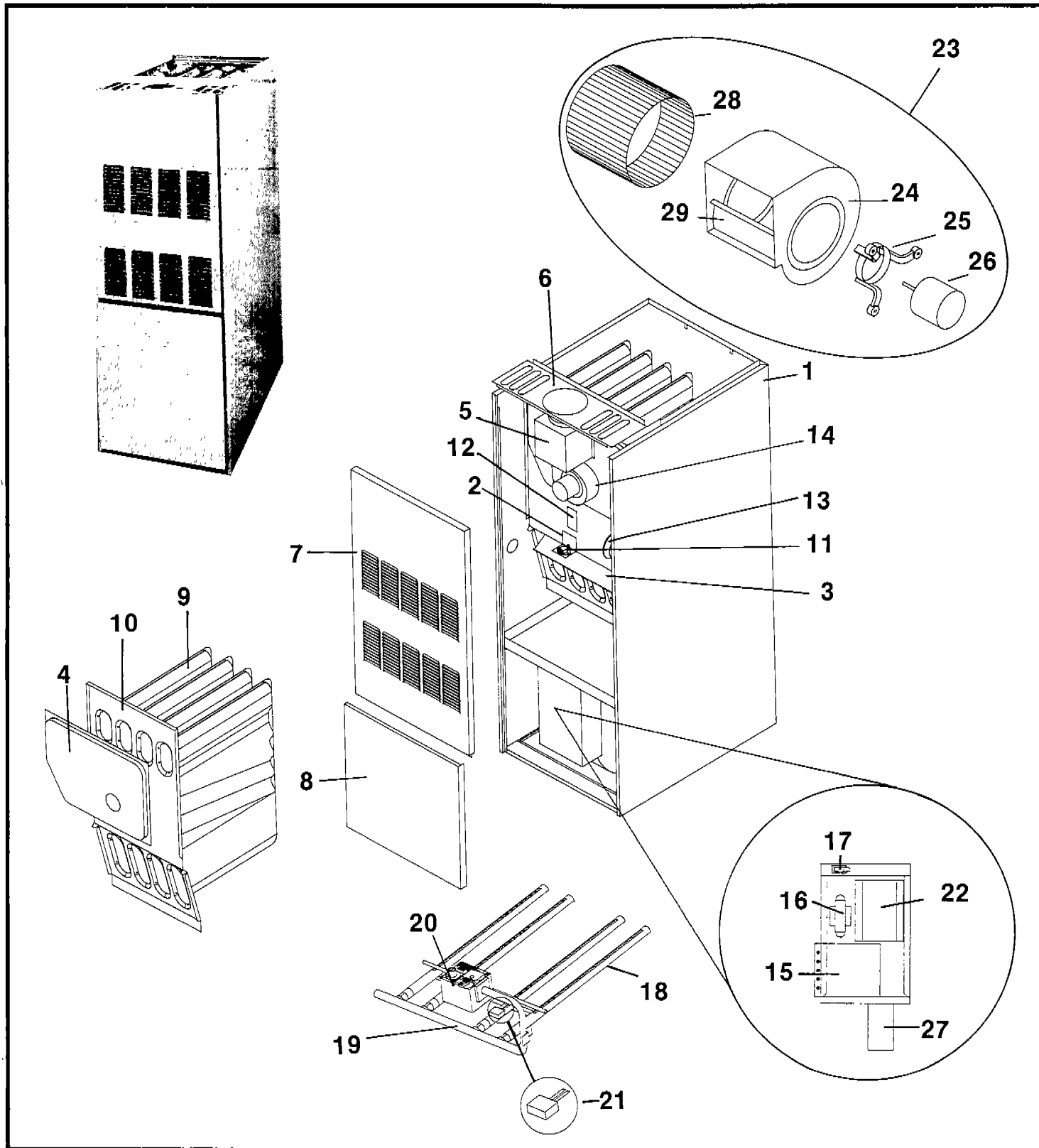
**R/R RELIABLE
REPLACEMENTS**

Fort Smith Arkansas 72906-6444

REPLACEMENT PARTS LIST

MODEL [-]GDE UPFLOW FURNACE
SIZES 04E THRU 14E
04N THRU 14N

SERIES E



FIRST PRODUCTION 5/89 PS
THIS REVISION 8/90 PS

92-21650-30-01
SUPERSEDES 92-21650-30-00



R/R RELIABLE REPLACEMENTS

Fort Smith Arkansas 72906-6444

REPLACEMENT PARTS LIST

EXPLANATION OF MODEL NUMBER

MODEL NUMBER

TYPE

[-] G D E - 0 6 E L A

E S

AIR FLOW RANGE
 A = HEATING ONLY
 B = 500-750 CFM
 C = 760-930 CFM
 D = 940-1050 CFM
 E = 1100-1330 CFM
 F = 1200-1450 CFM
 G = 1450-1750 CFM
 J = 1800-2075 CFM

FUEL
 B = CANADIAN IMPERIAL FURNACE, NATURAL GAS
 R = U.S. STD FURNACE, NATURAL GAS
 S = U.S. IMPERIAL FURNACE, NATURAL GAS

VARIATIONS: A - MODELS CAN BE COMMON VENTED AND USE TYPE B VENT MATERIALS WHEN CONNECTED TO A GRAVITY (VERTICAL) VENT SYSTEM.

MODELS CAN BE VENTED HORIZONTALLY OR VERTICALLY WITH A SPECIAL SEALED VENTING SYSTEM (S.V.S.) MADE FROM GE'S ULTEM HIGH TEMPERATURE PLASTIC. THE INSTALLATION MUST BE IN ACCORDANCE WITH THE VENTING INSTRUCTIONS SUPPLIED WITH THE FURNACE.

BLOWER DESIGNATION

H = 9x 7
 L = 10x 7
 Q = 10x10
 M = 11x 7
 R = 11x10

E - ELECTRIC IGNITION
 N - NOx (CALIFORNIA ONLY)

HEATING INPUT DESIGNATION

U.S. & CANADIAN MODELS	INPUT BTU/HR
04	45,000
06	60,000
07	75,000
10	100,000
12	120,000
14	140,000

DESIGN SERIES

UPFLOW

G = GAS FURNACE

MODEL DESIGNATION

R, U

AIR CONDITIONING DIVISION PARTS CENTER LOCATIONS

P. O. Box 6444

Fort Smith, Arkansas 72906-6444

501-646-4311

Roberson Mill Road
Milledgeville, Georgia 31061



R/R RELIABLE REPLACEMENTS

Fort Smith Arkansas 72906-6444

REPLACEMENT PARTS LIST

MODEL [-]GDE UPFLOW FURNACE

SIZES 04E THRU 14E

04N THRU 14N

SERIES E

Item No.	Part Description	Notes	[-]GDE	[-]GDE	[-]GDE	[-]GDE
			04EH	06EL	07EL	07EM
BLOWER GROUP						
23	Blower Assy W/Motor	<input checked="" type="checkbox"/>	AS-61435-09	AS-61435-15	AS-61435-10	AS-61435-12
24	Blower Housing	<input checked="" type="checkbox"/>	AS-61227-01	AS-61253-01	AS-61253-01	AS-61255-01
25	Motor Mounting Bracket	<input checked="" type="checkbox"/>		AS-53148-03	AS-53148-03	AS-53148-01
▲	Cup Mounting W/Grommets	<input checked="" type="checkbox"/>	AS-65672-02			
26	Motor 1/6 HP, 115V, 3 spd	<input checked="" type="checkbox"/>	51-22649-11			
26	Motor 1/3 HP, 115V, 4 spd	<input checked="" type="checkbox"/> 5		51-20814-11	51-20814-11	
26	Motor 3/4 HP, 115V, 4 spd	<input checked="" type="checkbox"/>				51-18716-11
27	Capacitor 7.5/370	<input type="checkbox"/> 6	DNA	43-20847-10	43-20847-10	
27	Capacitor 12.5/370	<input type="checkbox"/>				43-20847-38
28	Blower Wheel 9x7x1/2, CW	<input type="checkbox"/>	70-18631-01			
28	Blower Wheel 10x7x1/2, CW	<input type="checkbox"/>		70-18633-01	70-18633-01	
28	Blower Wheel 11x7x1/2, CW	<input type="checkbox"/>				70-21476-01
29	Cut-off	<input checked="" type="checkbox"/>	AE-64401-10	AE-64401-07	AE-64401-07	AE-64401-22

Item No.	Part Description	Notes	[-]GDE	[-]GDE	[-]GDE	[-]GDE
			10EQ	10ER	12ER	14ER
BLOWER GROUP						
23	Blower Assy W/Motor	<input checked="" type="checkbox"/>	AS-61435-13	AS-61435-14	AS-61435-14	AS-61435-14
24	Blower Housing	<input checked="" type="checkbox"/>	AS-61213-01	AS-61369-01	AS-61369-01	AS-61369-01
25	Motor Mounting Bracket	<input checked="" type="checkbox"/>	AS-53148-02	AS-53148-01	AS-53148-01	AS-53148-01
26	Motor 1/2 HP, 115V, 4 spd	<input checked="" type="checkbox"/>	51-18828-11			
26	Motor 3/4 HP, 115V, 4 spd	<input checked="" type="checkbox"/>		51-18716-11	51-18716-11	51-18716-11
27	Capacitor 7.5/370	<input type="checkbox"/>	43-20847-10			
27	Capacitor 12.5/370	<input type="checkbox"/>		43-20847-38	43-20847-38	43-20847-38
28	Blower Wheel 10x10x1/2, CW	<input type="checkbox"/>	70-18629-01			
28	Blower Wheel 11x10x1/2, CW	<input type="checkbox"/>		70-20602-01	70-20602-01	70-20602-01
29	Cut-off	<input checked="" type="checkbox"/>	AE-64401-05	AE-64401-18	AE-64401-18	AE-64401-18