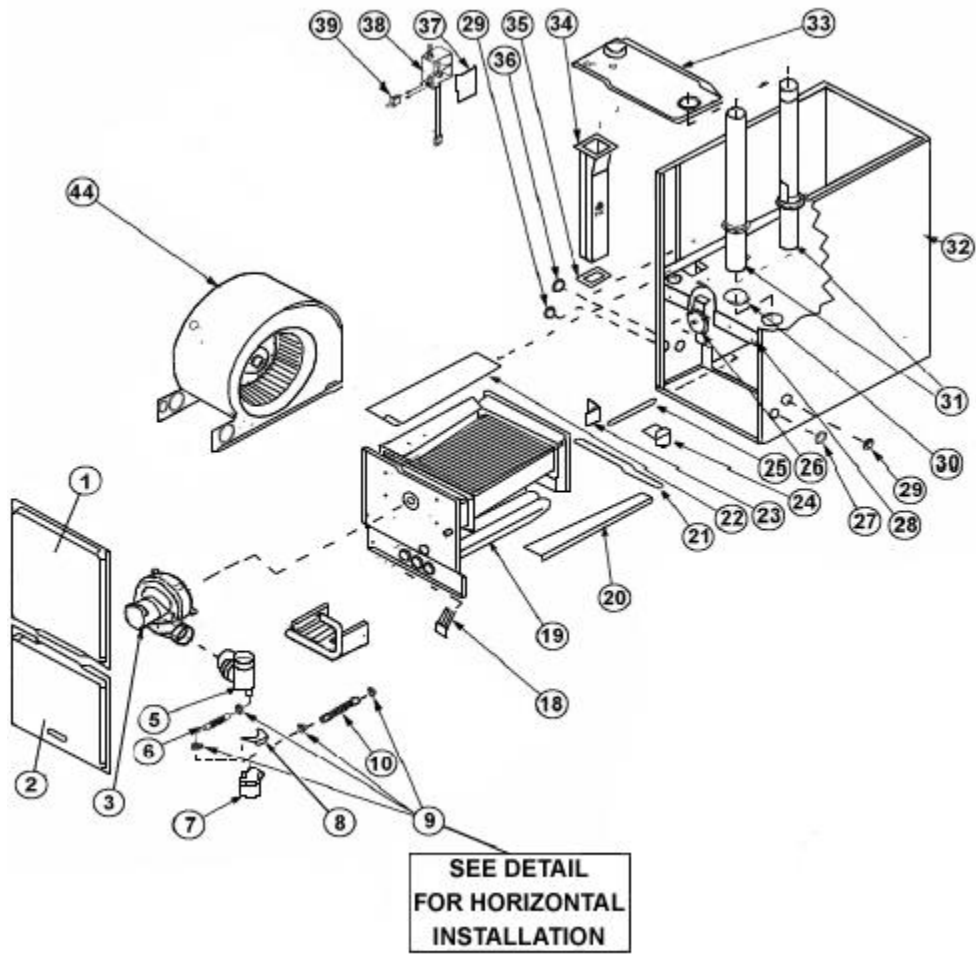


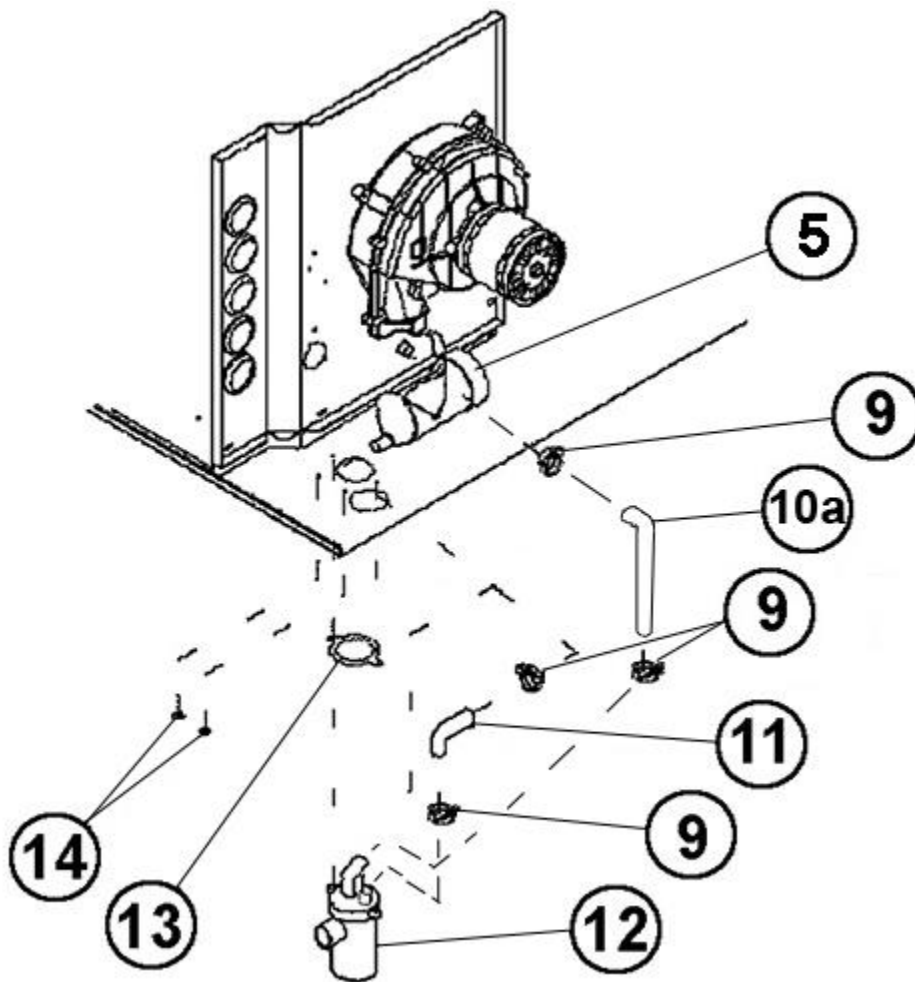
No.	Notes	MODEL GAS CODE	RGTA DC	RGTA DF	RGTA DG	RGTA DH
GAS CONTROLS						
51	Stk	Integrated Furnace Control Board (IFC)	62-24044-01	62-24084-01	62-24084-02	62-24044-01
62	Stk	Flame Sensor	62-23543-01	62-23543-01	62-23543-01	62-23543-01
67		Ignitor	See Heat Exchanger Group			
65	Stk,2	Gas Valve - Natural Gas	60-22866-01	60-22866-01	60-23490-01	60-23490-01
65	Stk	Gas Valve - LP	See Note 2	See Note 2	See Note 2	See Note 2
		Wiring Harnesses	See Electrical Group			
	Stk	LP Conversion Kit - U.S. Models	FP-02	FP-02	FP-02	FP-02
	Stk	LP Conversion Kit - Canadian Models	FP-05	FP-05	FP-05	FP-05

No.	Notes	MODEL GAS CODE	RGTA EH	RGTA EJ	RGTA EK	RGTA EL
GAS CONTROLS						
51	Stk	Integrated Furnace Control Board (IFC)	62-24136-03	62-24140-04	62-24136-03	62-24140-04
62	Stk	Flame Sensor	62-23543-01	62-23543-01	62-23543-01	62-23543-01
63		Ignitor	See Heat Exchanger Group			
65	Stk,2	Gas Valve - Natural Gas	60-22866-01	60-22866-01	60-23490-01	60-23490-01
65	Stk	Gas Valve - LP	See Note 2	See Note 2	See Note 2	See Note 2
		Wiring Harnesses	See Electrical Group			
	Stk	LP Conversion Kit - U.S. Models	FP-02	FP-02	FP-02	FP-02
	Stk	LP Conversion Kit - Canadian Models	FP-05	FP-05	FP-05	FP-05

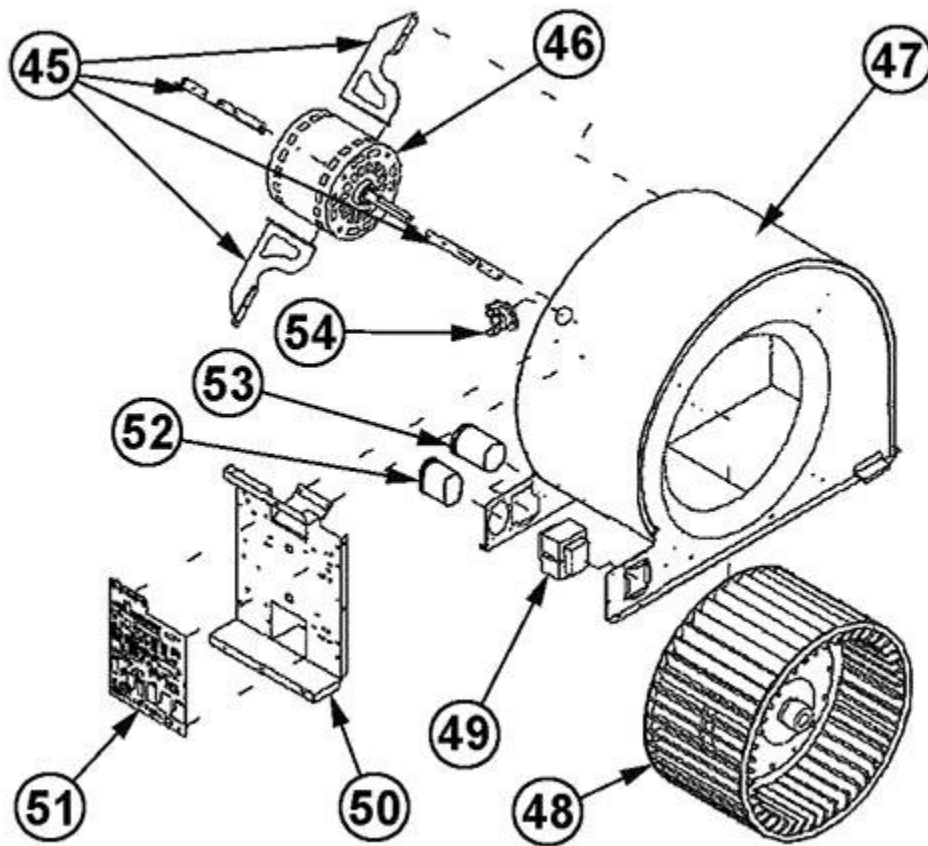
No.	Notes	MODEL GAS CODE	RGTA FY	RGTA FZ		
GAS CONTROLS						
51	Stk	Integrated Furnace Control Board (IFC)	62-24140-04	62-24136-03		
62	Stk	Flame Sensor	62-23543-01	62-23543-01		
63		Ignitor	See Heat Exchanger Group			
65	Stk,2	Gas Valve - Natural Gas	60-100394-02	60-100394-01		
65	Stk	Gas Valve - LP	See Note 2	See Note 2		
		Wiring Harnesses	See Electrical Group			
	Stk	LP Conversion Kit - U.S. Models	FP-02	FP-02		
	Stk	LP Conversion Kit - Canadian Models	FP-02	FP-05		



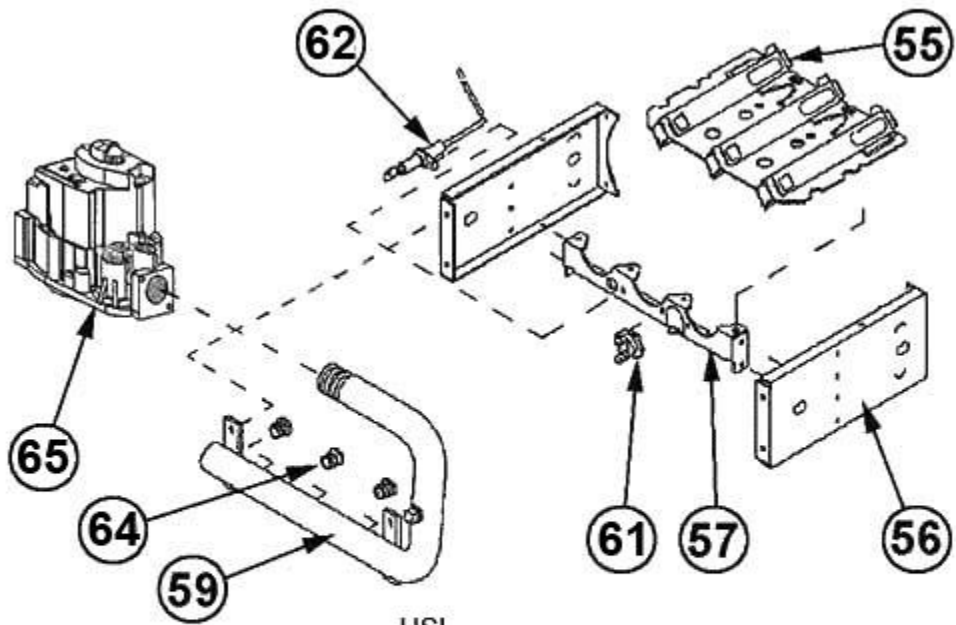
Exploded View



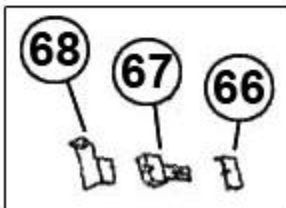
Horizontal Installation



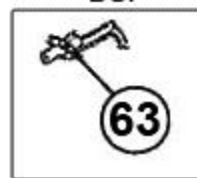
Blower Assembly



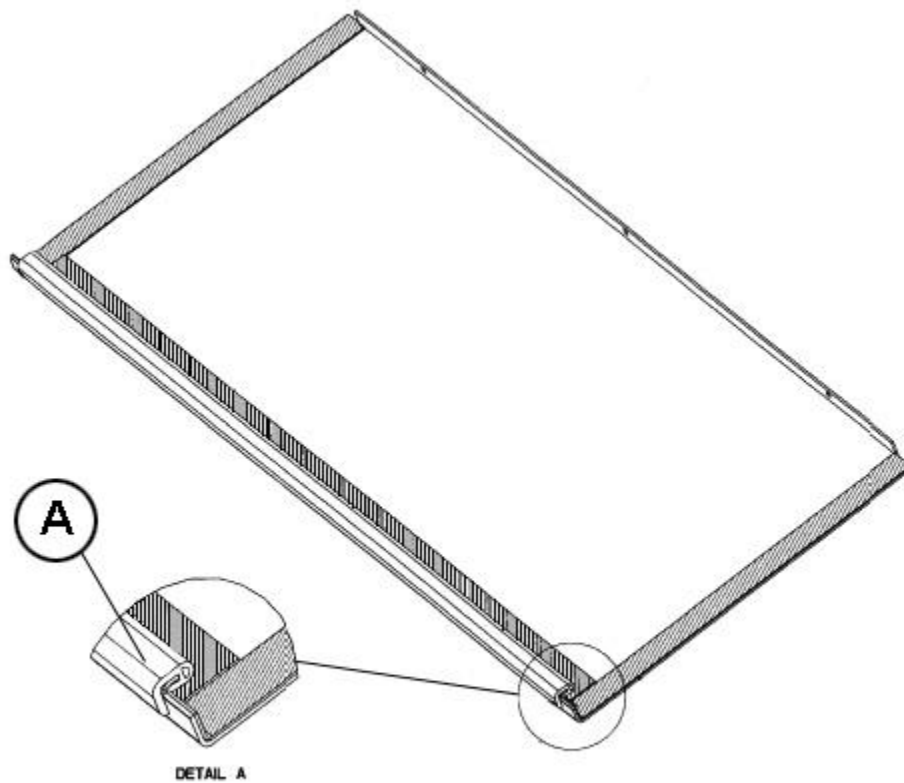
HSI



DSI



Burner Assembly



Base Pan Gasket