



RGPN

Parts List
01-October-2017

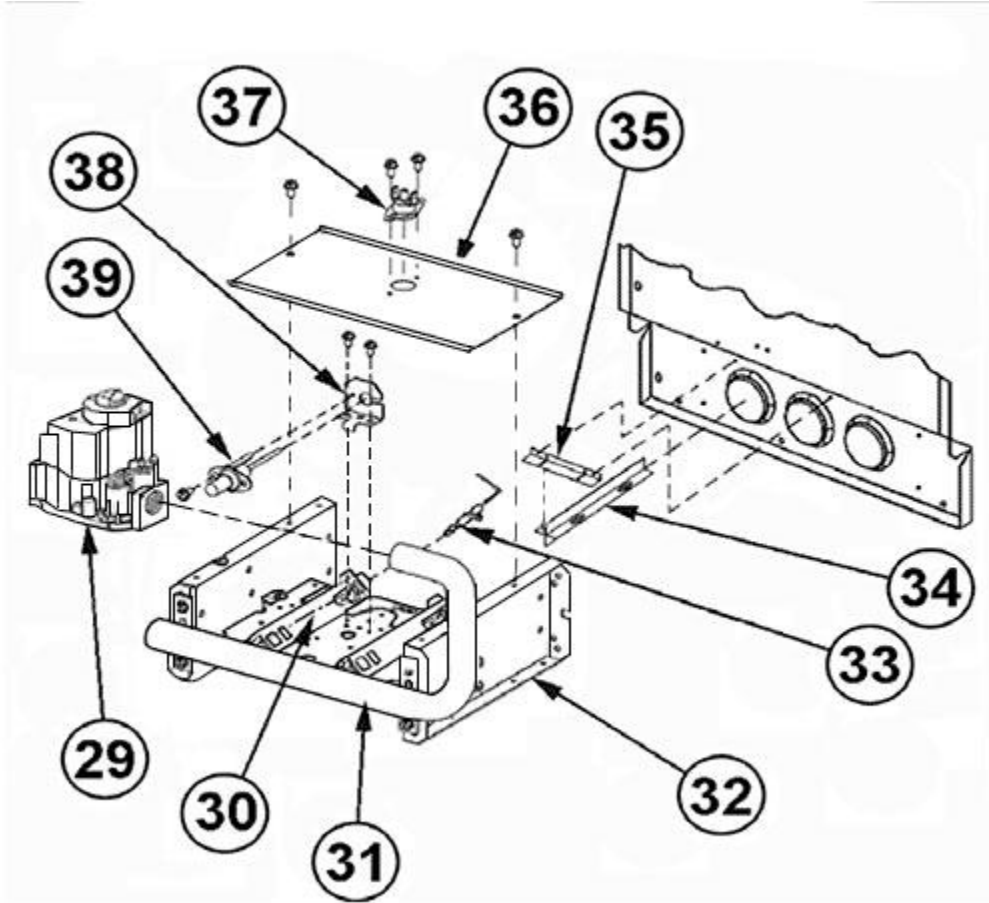


*This parts list is current as of the above revision date.
See <http://www.rheempartslists.net/92-42800-RGPN.pdf> for the current revision.*

80% Gas Furnaces

No.	Notes	MODEL GAS CODE (TYPE)	RGPN FD (DSI)	RGPN FS (DSI)	RGPN FT (DSI)	RGPN FU (DSI)	RGPN FV (DSI)
GAS CONTROLS							
27	Stk	Integrated Furnace Control Board (IFC)	62-24140-02	62-24136-03	62-24140-02	62-24140-04	62-24136-03
29	Stk	Gas Valve - Natural Gas	60-105055-01	60-24180-01	60-24180-01	60-105055-01	60-105055-01
29	Stk,2	Gas Valve - LP	See Note 2	See Note 2	See Note 2	See Note 2	See Note 2
33	Stk	Flame Sensor	62-23543-01	62-23543-01	62-23543-01	62-23543-01	62-23543-01
38		Bracket - Direct Spark	AE-61885-02	AE-61885-02	AE-61885-02	AE-61885-02	AE-61885-02
39	Stk	Ignitor - Direct Spark	62-24164-01	62-24164-01	62-24164-01	62-24164-01	62-24164-01
		LP Conversion Kit:					
	Stk	U.S. Models	FP-15	FP-15	FP-15	FP-15	FP-15
	Stk	Canadian Models	FP-15	FP-04	FP-04	FP-15	FP-15

No.	Notes	MODEL GAS CODE (TYPE)				RGPN JY (DSI)	
GAS CONTROLS							
27	Stk	Integrated Furnace Control Board (IFC)				62-24140-04	
29	Stk	Gas Valve - Natural Gas				60-105055-01	
29	Stk,2	Gas Valve - LP				See Note 2	
33	Stk	Flame Sensor				62-23543-01	
38		Bracket - Direct Spark				AE-61885-02	
39	Stk	Ignitor - Direct Spark				62-24164-01	
		LP Conversion Kit:					
	Stk	U.S. Models				FP-15	



Burner Assembly