



# RKHL-C

Parts List  
02-October-2017

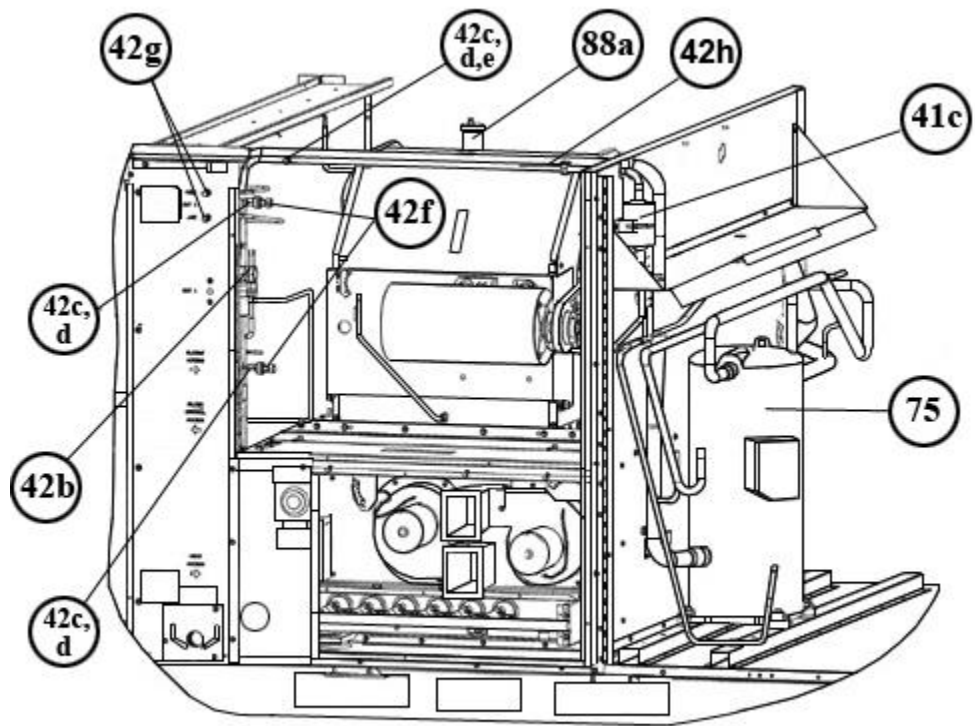


*This parts list is current as of the above revision date.  
See <http://www.rheempartslists.net/92-42800-RKHL-C.pdf> for the current revision.*

**Package Gas-Electric - Commercial**

<b>No.</b>	<b>Notes</b>	<b>MODEL TECHNICAL VARIATION COOLING CAPACITY ELECTRICAL DESIGNATION</b>	<b>RKHL- C 120 C</b>
<b>COMPRESSOR GROUP</b>			
		<b>Compressor ID:</b>	<b>8501</b>
75	Stk	Compressor	55-102471-01S
	Stk	Check Valve (2)	61-103883-01
	Stk	Plug Harness - Compressor	45-102706-20

<b>No.</b>	<b>Notes</b>	<b>MODEL TECHNICAL VARIATION COOLING CAPACITY ELECTRICAL DESIGNATION</b>	<b>RKHL- C 120 D</b>
<b>COMPRESSOR GROUP</b>			
		<b>Compressor ID:</b>	<b>8503</b>
75	Stk	Compressor	55-102471-04S
	Stk	Check Valve (2)	61-103883-01
	Stk	Plug Harness - Compressor	45-102706-20



Interior - Front 120