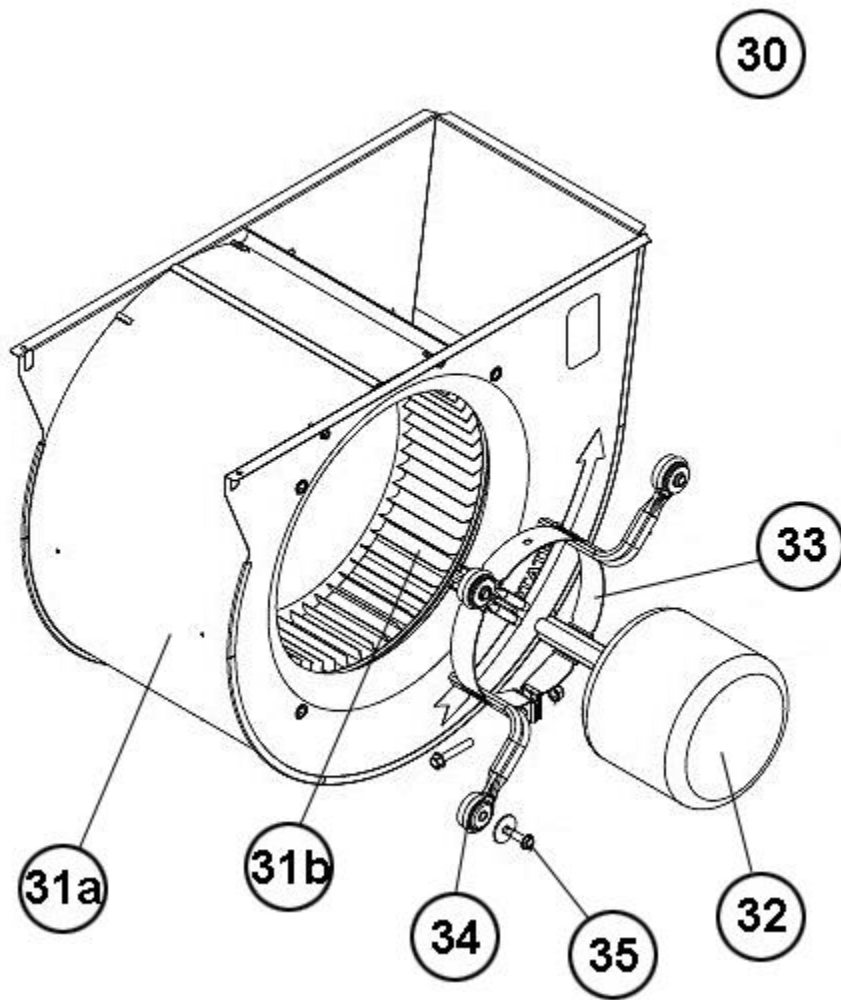


No.	Notes	MODEL INPUT AIRFLOW CABINET WIDTH CONFIGURATION	R801TA	R801TA	R801TA	R801TA	R801TA	
			050 3 14 MSA/MXA	075 4 17 MSA/MXA	075 4 21 MSA/MXA	100 5 21 MSA/MXA	125 5 24 MSA/MXA	
<b>ELECTRIC GROUP</b>								
20a	Stk	Pressure Switch Assembly	42-106257-01	42-106257-01	42-106257-01	42-106257-01	42-106257-01	
20b		Silicon Tubing - Pressure Switch	AE-61737-27	AE-61737-27	AE-61737-03	AE-61737-03	AE-61737-23	
21		Door Switch - Push Button	42-22692-09	42-22692-09	42-22692-09	42-22692-09	42-22692-09	
22	Stk	Limit - Main Limit (Heat Exchanger Panel)	47-104990-01	47-104990-04	47-104990-04	47-104990-04	47-104990-04	
23	Stk	Limit - Manual Reset (Burner Compartment)	47-22861-03 (2)	47-22861-03 (2)	47-22861-03 (2)	47-22861-03 (2)	47-22861-03 (2)	
23a	Stk	Limit - Heat Assisted (Blower Housing)	47-22860-06	47-22860-06	47-22860-06	47-22860-06	47-22860-06	
		Bracket (Limit - Manual Reset)	See Heat Exchanger/Burner Manifold Group					
24	Stk	Transformer	46-24124-06	46-24124-06	46-24124-06	46-24124-06	46-24124-06	
25	Stk	IDB - Induced Draft Blower (with Gasket)	70-101087-01	70-101087-01	70-101087-01	70-101087-01	70-101087-01	
		Gasket - Induced Draft Blower	68-22850-01	68-22850-01	68-22850-01	68-22850-01	68-22850-01	
27	Stk	Capacitor - Blower Motor	N/A	N/A	N/A	N/A	N/A	
28		Strap - Blower Motor Capacitor	N/A	N/A	N/A	N/A	N/A	
		Wiring Harness - IFC to Blower Motor	45-105282-01	45-105282-01	45-105282-01	45-105282-01	45-105282-01	
		Wiring Harness Assembly (Twist-Lock)	45-104931-01	45-104931-01	45-104931-01	45-104931-01	45-104931-01	
29		Wire Assembly (Junction Box to Twist Lock)	45-24371-58	45-24371-58	45-24371-58	45-24371-58	45-24371-58	
52		Flame Sensor	See Gas Controls					
53		Spark Ignitor	See Gas Controls					

No.	Notes	MODEL INPUT AIRFLOW CABINET WIDTH CONFIGURATION	R801TA	R801TA	R801TA	R801TA	R801TA	
			050 3 14 MSA/MXA	075 4 17 MSA/MXA	075 4 21 MSA/MXA	100 5 21 MSA/MXA	125 5 24 MSA/MXA	
<b>BLOWER GROUP</b>								
30	Stk	Blower Assembly (Includes items listed below):	AS-104614-07	AS-104614-08	AS-104614-09	AS-104614-10	AS-104614-11	
30a		Control Mounting Plate	AE-104878-02	AE-104878-02	AE-104878-02	AE-104878-02	AE-104878-02	
23a		Limit - Heat Assisted (Blower Housing)	See Electric Group					
31a		Housing w/Blower Wheel	70-104182-11	70-104182-13	70-104182-13	70-104182-17	70-104182-17	
31b	Stk	Blower Wheel	PD703025	PD703026	PD703026	PD703028	PD703028	
32	Stk	Blower Motor	51-102172-06	51-104355-06	51-104356-12	51-104356-08	51-104356-09	
27		Capacitor - Blower Motor	See Electric Group					
	Stk	Belly Band Motor Mount Kit (includes Motor Mount Arms, Belly Band and Mounting Hardware)	AS-53148-91	AS-53148-91	AS-53148-91	AS-53148-91	AS-53148-91	
33		ECM Motor Mount (Belly Band)	70-19927-04	70-19927-04	70-19927-04	70-19927-04	70-19927-04	
34		Motor Mount Arm (4)	70-19929-10	70-19929-10	70-19929-10	70-19929-10	70-19929-10	
35		Screw - Motor Mount Arm (4)	63-101978-01	63-101978-01	63-101978-01	63-101978-01	63-101978-01	



Blower Assembly