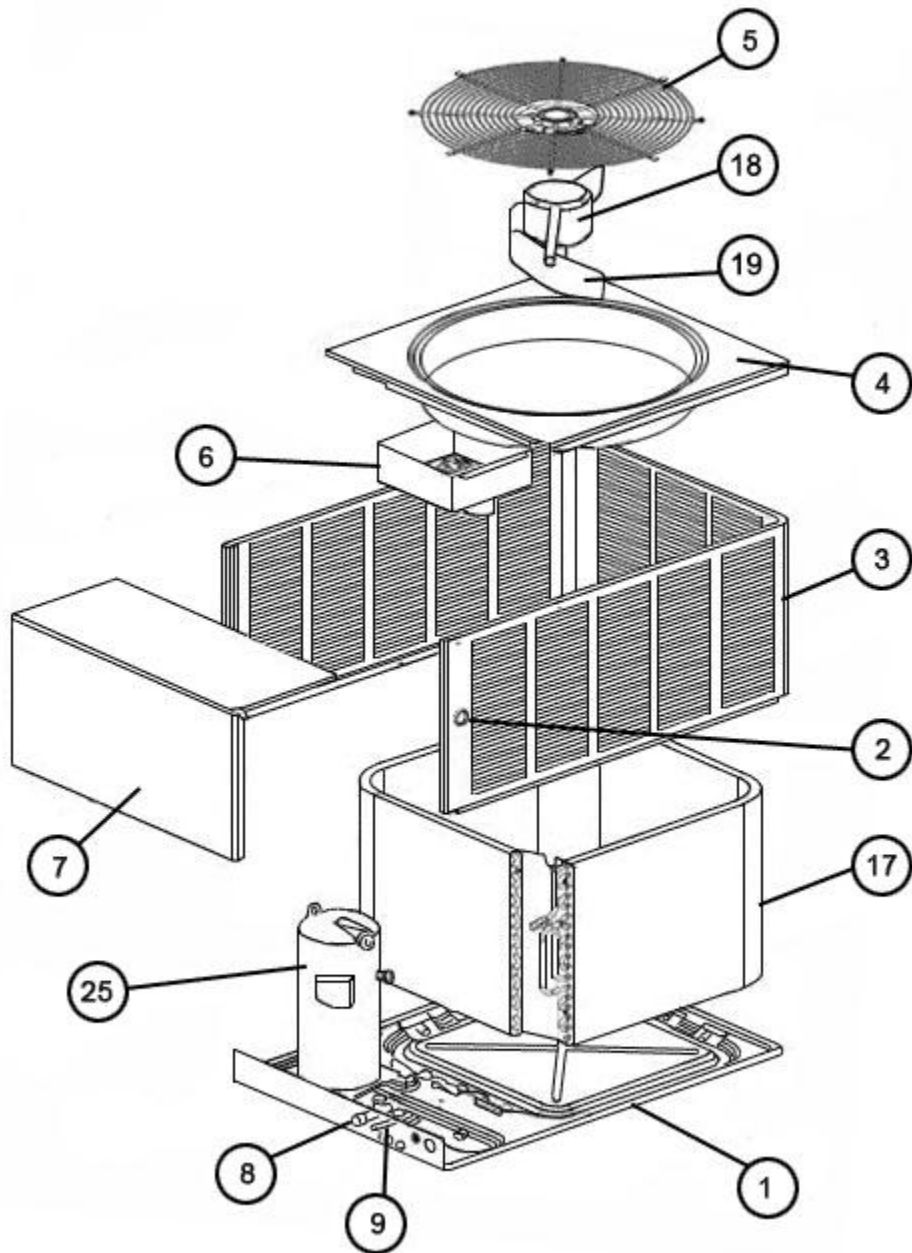


No.	Notes	MODEL COOLING CAPACITY	RPQL -018	RPQL -024	RPQL -030	RPQL -036	RPQL -037	
FAN GROUP								
18	Stk	Fan Motor - Before W1112, F0812	51-102870-01	51-102870-01	51-102870-01	51-102870-01	51-101774-12	
18	Stk	Fan Motor - On or After W1112, F0812	51-101774-14	51-102870-01	51-101774-15	51-102870-01	51-101774-12	
12		Capacitor - Fan Motor	See Compressor Group					
19	Stk	Fan Blade - Before W1112, F0812	70-102011-06	70-102033-04	70-102033-04	70-102033-04	70-21858-17	
19	Stk	Fan Blade - On or After W1112, F0812	70-102011-17	70-102033-04	70-102011-09	70-102033-04	70-21858-17	
	1	Wiring Harness - 6 Pin on Board to single Quick Connect on Board (JEZ, PSC Motor) - See Note 1	45-102120-01	N/A	45-102120-01	N/A	45-102120-01	
	1	Wiring Harness - Fan Motor (JEZ, ECM Motor) - See Note 1	45-102122-02	45-102122-02	45-102122-02	45-102122-02	N/A	

No.	Notes	MODEL COOLING CAPACITY	RPQL -048	RPQL -056	RPQL -060			
FAN GROUP								
18	Stk	Fan Motor - Before W1112, F0812	51-102870-02	51-102728-11	51-102728-10			
18	Stk	Fan Motor - After W1112, F0812	51-101774-16	51-102728-11	51-101774-19			
12		Capacitor - Fan Motor	See Compressor Group					
19	Stk	Fan Blade - Before W1112, F0812	70-102033-04	70-21858-17	70-102033-04			
19	Stk	Fan Blade - After W1112, F0812	70-102033-04	70-21858-17	70-102011-03			
	1	Wiring Harness - 6 Pin on Board to single Quick Connect on Board (JEZ, PSC Motor) - See Note 1	45-102120-01	N/A	45-102120-01			
	1	Wiring Harness - Fan Motor (JEZ, ECM Motor) - See Note 1	45-102122-02	45-102122-02	45-102122-02			

No.	Notes	MODEL COOLING CAPACITY	RPQL -042					
FAN GROUP								
18	Stk,4	Fan Motor - Before Date Code 1112	51-102870-01					
18	Stk,4	Fan Motor - From Date Code 1112 to 1712 (See Note 4)	51-101774-17					
18	Stk,4	Fan Motor - After Date Code 1712	51-102870-01					
12		Capacitor - Fan Motor	See Compressor Group					
19	Stk,4	Fan Blade - Before Date Code 1112	70-102033-04					
19	Stk,4	Fan Blade - From Date Code 1112 to 1712 (See Note 4)	70-102011-03					
19	Stk,4	Fan Blade - After Date Code 1712	70-102033-04					
	1	Wiring Harness - 6 Pin on Board to single Quick Connect on Board (JEZ, PSC Motor) - See Note 1	45-102120-01					
	1	Wiring Harness - Fan Motor (JEZ, ECM Motor) - See Note 1	45-102122-02					

No.	Notes	MODEL COOLING CAPACITY	RPQL -043	RPQL -049				
FAN GROUP								
18	Stk	Fan Motor	51-102008-08	51-102008-07				
12		Capacitor - Fan Motor	See Compressor Group					
19	Stk	Fan Blade	70-21858-17	70-102033-04				
	1	Wiring Harness - 6 Pin on Board to single Quick Connect on Board (JEZ, PSC Motor) - See Note 1	45-102120-01	45-102120-01				



Exploded View