



# RGPE

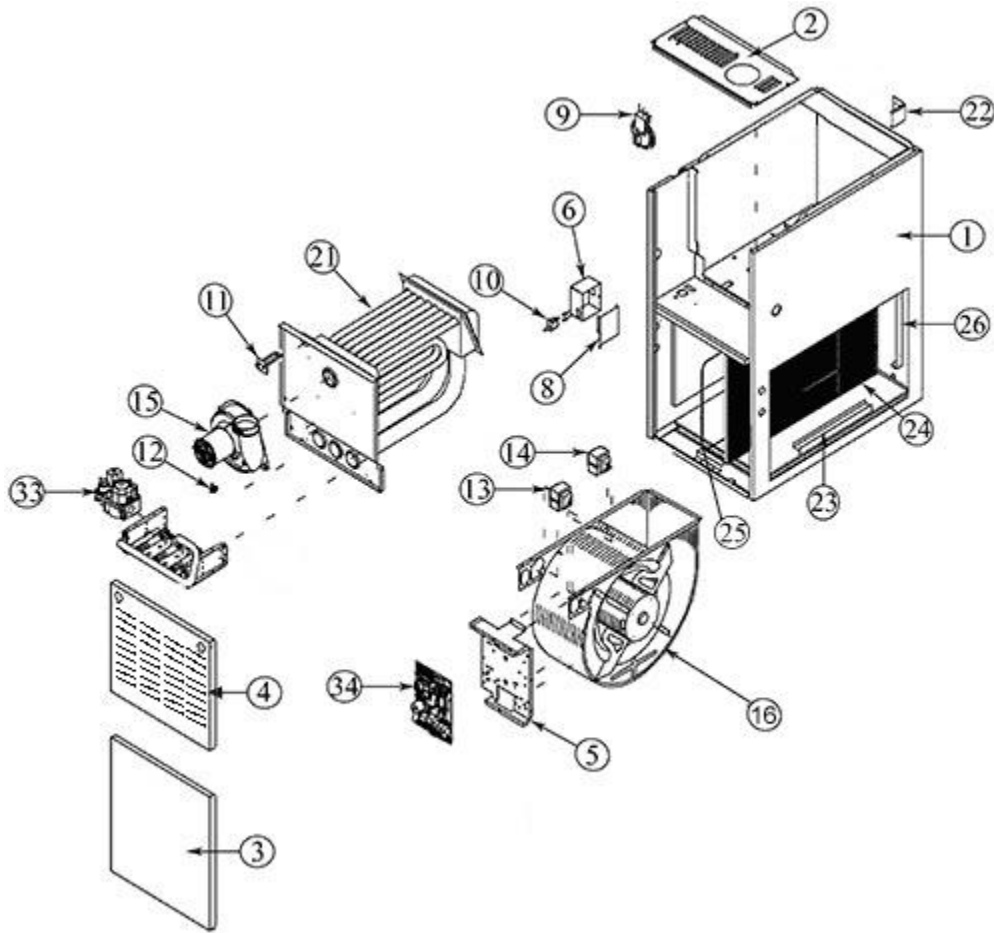
Parts List  
21-November-2015



*This parts list is current as of the above revision date.  
See <http://www.rheempartslists.net/92-42800-RGPE.pdf> for the current revision.*

**80% Gas Furnaces - 2 Stage**

No.	Notes	MODEL HEATING CAPACITY VARIATION BLOWER DESIGNATION AIRFLOW	RGPE	RGPE	RGPE	RGPE	RGPE
			05 B M K	07 A M K	07 B R Q	10 B R M	12 A R M
<b>ELECTRICAL GROUP</b>							
9	Stk	Dual Pressure Switch	42-102341-02	42-102341-02	42-102341-02	42-102341-02	42-102341-02
9	Stk	Dual Pressure Switch - 278 Option	42-102341-04	42-102341-04	42-102341-04	42-102341-04	42-102341-04
10		Door Switch - Push Button	42-22692-08	42-22692-08	42-22692-08	42-22692-08	42-22692-08
11	Stk	Limit - Main Limit (Heat Exchanger Panel)	47-25349-11	47-25349-03	47-25349-01	47-25349-03	47-25349-09
12	Stk	Limit - Manual Reset (Burner Compartment)	47-22861-03 (2)	47-22861-03 (2)	47-22861-03 (2)	47-22861-03 (2)	47-22861-03 (2)
	Stk	Limit - Heat Assisted (Blower Housing)	47-22860-06	47-22860-06	47-22860-06	47-22860-06	47-22860-06
13	Stk	Transformer	46-102856-01	46-102856-01	46-102856-01	46-102856-01	46-102856-01
14		Power Factor Choke	46-24256-02	N/A	46-24256-02	46-24256-02	46-24256-02
14	3	Power Factor Choke - Before F1712 (See Note 3)	N/A	46-24256-02	N/A	N/A	N/A
	3	Jumper Wire Assembly - After F1712 (See Note 3)	N/A	45-104318-01	N/A	N/A	N/A
15	Stk	Induced Draft Blower w/Gasket	70-101888-01	70-101888-01	70-101888-01	70-101888-02	70-101888-02
		Push Mount Tie (for Memory Card Wire Tie)	64-102873-01	64-102873-01	64-102873-01	64-102873-01	64-102873-01
		Memory Card	47-102738-11	47-102738-12	47-102738-13	47-102738-14	47-102738-15
		Wiring Harness - 9 pin to (3 pin - to gas valve and 7 terminals)	45-102812-02	45-102812-02	45-102812-02	45-102812-02	45-102812-02
		Wiring Harness - 4 pin from Blower Motor to 4 pin	45-102785-01	45-102785-01	45-102785-01	45-102785-01	45-102785-01
		Wiring Harness - 15 pin to 9 pin and two 4 pin connectors	45-102967-01	45-102967-01	45-102967-01	45-102967-01	45-102967-01
		Wiring Harness - 9 pin to 15 pin from IFC Board	45-102967-01	45-102967-01	45-102967-01	45-102967-01	45-102967-01
		Wiring Harness - 5 pin from Indoor Blower Motor to 2 pin and 3 pin connectors	45-103019-01	45-103019-01	45-103019-01	45-103019-01	45-103019-01
		Wiring Harness - 3 pin to (2 terminals and 1 strip back - from Junction Box)	45-24371-53	45-24371-53	45-24371-53	45-24371-53	45-24371-53
		Wiring Harness - 4 pin to 4 pin and 1 terminal (Blower Shelf to Induced Draft Motor)	45-102789-01	45-102789-01	45-102789-01	N/A	N/A
		Wiring Harness - 4 pin to 5 pin and 1 terminal (Blower Shelf to Induced Draft Motor)	N/A	N/A	N/A	45-102790-01	45-102790-01



Exploded View