



RGTA

Parts List
21-November-2015

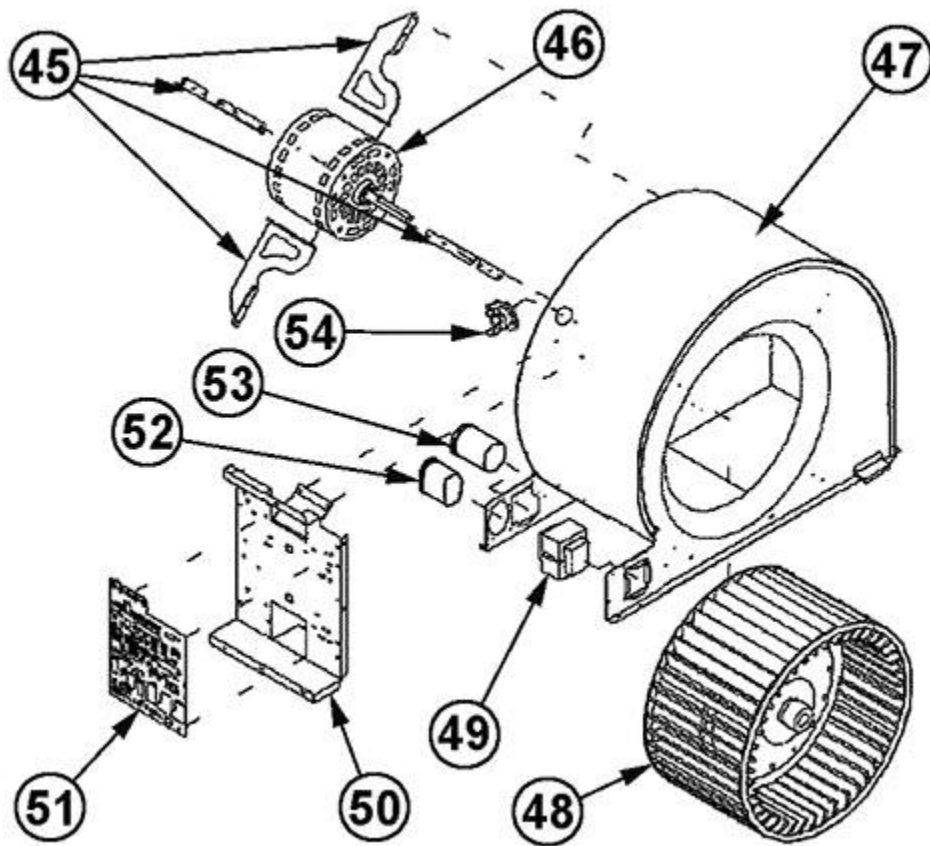


*This parts list is current as of the above revision date.
See <http://www.rheempartslists.net/92-42800-RGTA.pdf> for the current revision.*

90% Gas Furnaces

No.	Notes	MODEL HEATING CAPACITY BLOWER DESIGNATION VARIATION AIRFLOW	RGTA	RGTA	RGTA	RGTA	RGTA	RGTA	RGTA
			04 M A E	06 M A E	07 M A E	07 Y B G	09 Z A J	10 Z A J	12 R A J
ELECTRIC GROUP									
3	Stk	Induced Draft Blower w/Gasket	70-24033-01	70-24033-01	70-24033-01	70-24033-01	70-24033-01	70-24033-01	70-24033-01
18	Stk	Limit - Main Limit (Heat Exchanger Panel)	47-25350-09	47-25350-07	47-25350-01	47-25350-09	47-25350-10	47-25350-06	47-25350-06
	Stk, 3	Limit - Manual Reset (Heat Exchanger Panel) - See Note 3	47-22861-04	47-22861-04	47-22861-04	47-22861-04	47-22861-04	47-22861-04	47-22861-04
26	Stk	Pressure Switch	42-24012-01	42-24012-05	42-24012-01	42-24012-01	42-24012-05	42-24012-04	42-24012-03
26	Stk	Pressure Switch (Option 278)	42-101956-03	42-101956-03	42-101956-06	42-101956-06	42-101956-03	42-101956-07	42-101956-05
39		Door Switch - Push Button	42-22692-02	42-22692-02	42-22692-02	42-22692-02	42-22692-02	42-22692-02	42-22692-02
49	Stk	Transformer w/Fuse	46-24124-03	46-24124-03	46-24124-03	46-24124-03	46-24124-03	46-24124-03	46-24124-03
51		Integrated Furnace Control Board (IFC)	See Gas Controls						
52	Stk	Capacitor - Induced Draft Blower	43-100496-44	43-100496-44	43-100496-44	43-100496-44	43-100496-44	43-100496-44	43-100496-44
53		Capacitor - Blower Motor	See Blower Group						
54	Stk	Limit - Heat Assisted (Blower Housing)	47-22860-02	47-22860-02	47-22860-01	47-22860-02	47-22860-02	47-22860-05	47-22860-03
61	Stk	Limit - Manual Reset (Burner Compartment)	47-22861-02 (1)	47-22861-02 (1)	47-22861-02 (2)	47-22861-02 (2)	47-22861-02 (2)	47-22861-02 (2)	47-22861-02 (2)
		Wiring Harness - 4 pin to 2 ring terminals/1 straight terminal/1 strip back	45-24371-41	45-24371-41	45-24371-41	45-24371-41	45-24371-41	45-24371-41	45-24371-41
		Direct Spark Wiring Harness - 9 pin from board to 9 pin and 4 pin	45-24371-28	45-24371-28	45-24371-28	45-24371-28	45-24371-28	45-24371-28	45-24371-28
		Direct Spark Ignition Wiring Harness - 9 pin to 8 terminals and 6 pin to 4 pin - Before F1702	45-24090-05	45-24090-05	45-24090-05	45-24090-05	45-24090-05	45-24090-05	45-24090-05
		Twist Lock - Direct Spark Ignition Wiring Harness - 9 pin to 8 terminals and 6 pin to 4 pin - After F1702	45-24393-02	45-24393-02	45-24393-02	45-24393-02	45-24393-02	45-24393-02	45-24393-02
		Hot Surface Ignition Wiring Harness - 9 pin to 8 terminals and 6 pin to (4 pin and 2 pin) - Before F1702	45-24090-04	45-24090-04	45-24090-04	45-24090-04	45-24090-04	45-24090-04	45-24090-04
		Twist Lock - Hot Surface Ignition Wiring Harness - 9 pin to 8 terminals and 6 pin to (4 pin and 2 pin) - After F1702	45-24393-04	45-24393-04	45-24393-04	45-24393-04	45-24393-04	45-24393-04	45-24393-04
		Direct Spark Ignition Wiring Harness - 2 pin from board to 6 pin, (3 terminals off 6 pin, 1 terminal off 2 pin) - Downflow Models w/HALC	45-24371-29	45-24371-29	45-24371-29	45-24371-29	45-24371-29	45-24371-29	45-24371-29
		Direct Spark Ignition Wiring Harness - 2 pin from board to 6 pin, (2 terminals off 6 pin) - Upflow Models	AS-61997-28	AS-61997-28	AS-61997-28	AS-61997-28	AS-61997-28	AS-61997-28	AS-61997-28
		Hot Surface Ignition Wiring Harness - 9 pin from board to (9 pin and 4 pin)	AS-61702-05	AS-61702-05	AS-61702-05	AS-61702-05	AS-61702-05	AS-61702-05	AS-61702-05
		Hot Surface Wiring Harness - 6 pin from board to 6 pin with 2 flag terminals	AS-61703-04	AS-61703-04	AS-61703-04	AS-61703-04	AS-61703-04	AS-61703-04	AS-61703-04

No.	Notes	MODEL HEATING CAPACITY BLOWER DESIGNATION VARIATION AIRFLOW	RGTA	RGTA	RGTA	RGTA	RGTA	RGTA	RGTA
			04 M A E	06 M A E	07 M A E	07 Y B G	09 Z A J	10 Z A J	12 R A J
BLOWER GROUP									
44	Stk	Blower Assembly (Includes items 45-48, 53)	AS-61697-38	AS-61697-38	AS-61697-38	AS-61697-39	AS-61697-40	AS-61697-40	AS-61697-41
45		Motor Mount Leg (4)	AE-61698-02	AE-61698-02	AE-61698-02	AE-61698-02	AE-61698-02	AE-61698-02	AE-61698-02
46	Stk	Blower Motor	51-24042-01	51-24042-01	51-24042-01	51-26192-01	51-26192-01	51-26192-01	51-26192-01
47		Housing	AS-61674-14	AS-61674-14	AS-61674-14	AS-61674-14	AS-61674-15	AS-61674-15	AS-61674-16
48	Stk	Blower Wheel	70-22688-01	70-22688-01	70-22688-01	70-24119-01	70-24041-01	70-24041-01	70-20602-01
49		Transformer w/Fuse	See Electrical Group						
50		Control Mounting Plate	AE-67877-01	AE-67877-01	AE-67877-01	AE-67877-01	AE-67877-01	AE-67877-01	AE-67877-01
51		Integrated Furnace Control Board (IFC)	See Gas Controls						
52		Capacitor - Induced Draft Blower	See Electrical Group						
53	Stk	Capacitor - Blower Motor	43-21298-42	43-21298-42	43-21298-42	43-21298-43	43-21298-43	43-21298-43	43-21298-43
54		Limit Control w/Heater	See Electrical Group						



Blower Assembly