



RA17

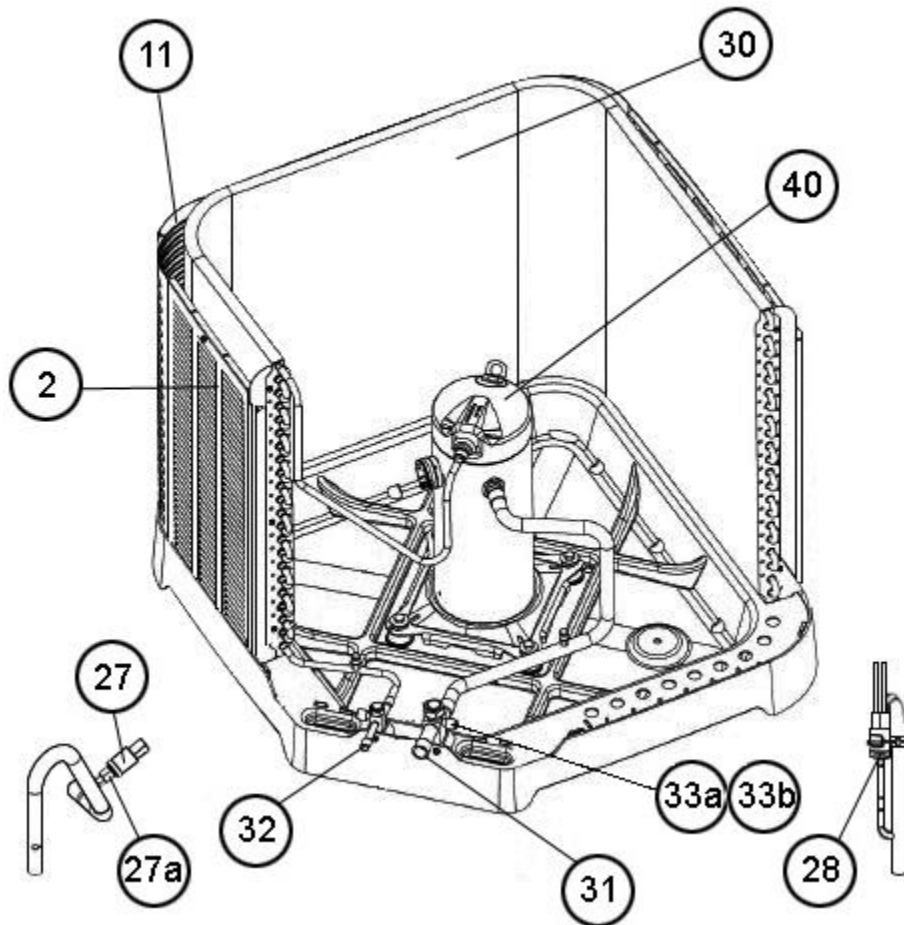
Parts List
30-September-2017



*This parts list is current as of the above revision date.
See <http://www.rheempartslists.net/92-42800-RA17.pdf> for the current revision.*

Condensing Units

No.	Notes	MODEL COOLING CAPACITY VARIATION	RA17 24 AJ2CB	RA17 36 AJ2CB	RA17 48 AJ2CB	RA17 60 AJ2CB
ELECTRICAL/FAN GROUP						
20	Stk	Fan Motor (Before W1017)	51-102870-05	51-101774-03	51-105035-01	51-105035-01
20	Stk	Fan Motor (On or After W1017)	51-102870-09	51-101774-40	51-105035-01	51-105035-01
21	Stk	Fan Blade	70-102345-08	70-102345-01	70-102345-09	70-102345-09
22	Stk	Contactora	42-102664-05	42-102664-05	42-102664-10	42-102664-10
23		Capacitor	See Compressor Group			
23a		Capacitor Strap	AE-104562-01	AE-104562-01	AE-104562-01	AE-104562-01
25		Crankcase Heater	See Compressor Group			
26		Grounding Lug	45-19000-01	45-19000-01	45-19000-01	45-19000-01
		Low Ambient Control	See Accessories Group			
27	Stk	Low Pressure Control	47-103670-02	47-103670-02	47-103670-04	47-103670-04
27a		Valve Body - Low Pressure Control	61-18542-01	61-18542-01	61-18542-01	61-18542-01
28	Stk	High Pressure Control	47-102290-01	47-102290-01	47-102290-01	47-102290-01
		Wiring Harness - Thermostat (Before W0117)	45-101891-08	45-101891-08	45-101891-08	45-101891-08
		Wiring Harness - Thermostat (On or After W0117)	45-101891-11	45-101891-11	45-101891-11	45-101891-11
		Locking Push Mount Tie (for securing thermostat wires)	64-25340-02	64-25340-02	64-25340-02	64-25340-02
		Control - Identity EEPROM	47-102738-105	47-102738-106	47-102738-107	47-102738-108
		Ambient Sensor	47-102709-06	47-102709-06	47-102709-06	47-102709-06
29		Control Board - EcoNet	47-105395-01	47-105395-01	47-105395-01	47-105395-01
		Compressor Wiring Harness (Low Voltage)	See Compressor Group			
		Compressor Plug Harness	See Compressor Group			



Valve Mounting, Compressor