



RHKL

Parts List
02-June-2015

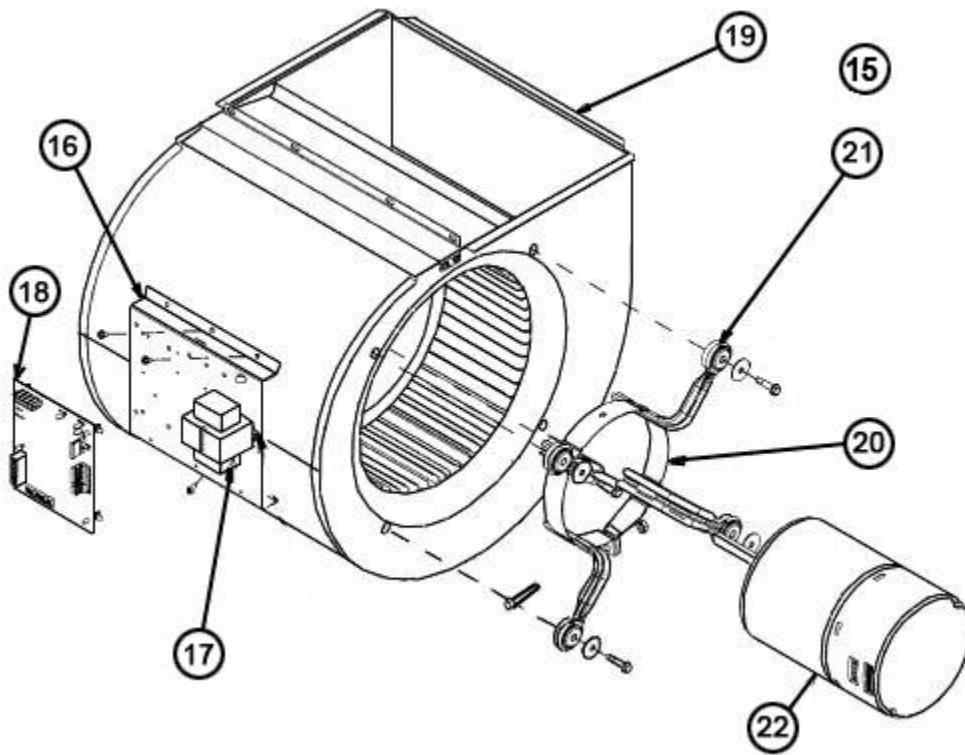


*This parts list is current as of the above revision date.
See <http://www.rheempartslists.net/92-42800-RHKL.pdf> for the current revision.*

Air Handlers

No.	Notes	MODEL	RHKL	RHKL	RHKL	RHKL	RHKL
		CAPACITY	24	24	25	36	38
		CABINET SIZE	17	17	17	17	21
		VOLTAGE	J	J	J	J	J
		DESIGN VARIATION	A	D	A	A	A
ELECTRICAL GROUP							
17	Stk	Transformer	46-101905-01	46-101905-01	46-101905-01	46-101905-01	46-101905-01
18	Stk	Control Board	47-102077-03	47-102077-03	47-102077-03	47-102077-03	47-102077-03
	Stk	Fuse - Control Board	44-101986-01	44-101986-01	44-101986-01	44-101986-01	44-101986-01
		Wiring Harness - 9 Pin Molex to 9 stripped wires (For T-Stat)	45-101891-02	45-101891-02	45-101891-02	45-101891-02	45-101891-02
		Wiring Harness - 16 Pin Molex to 16 Pin Molex	45-24258-14	45-24258-14	45-24258-14	45-24258-14	45-24258-14
		Wiring Harness - 5 Pin Molex to 2 Spade Terminal, One Ring, 1 Stripped Wire	45-24258-16	45-24258-16	45-24258-16	45-24258-16	45-24258-16
11		Terminal Block	45-23222-02	45-23222-02	45-23222-02	45-23222-02	45-23222-02

No.	Notes	MODEL	RHKL	RHKL	RHKL		
		CAPACITY	48	48	60		
		CABINET SIZE	21	24	24		
		VOLTAGE	J	J	J		
		DESIGN VARIATION	A	A	A		
ELECTRICAL GROUP							
17	Stk	Transformer	46-101905-01	46-101905-01	46-101905-01		
18	Stk	Control Board	47-102077-03	47-102077-03	47-102077-03		
	Stk	Fuse - Control Board	44-101986-01	44-101986-01	44-101986-01		
		Wiring Harness - 9 Pin Molex to 9 stripped wires (For T-Stat)	45-101891-02	45-101891-02	45-101891-02		
		Wiring Harness - 16 Pin Molex to 16 Pin Molex	45-24258-14	45-24258-14	45-24258-14		
		Wiring Harness - 5 Pin Molex to 2 Spade Terminal, One Ring, 1 Stripped Wire	45-24258-16	45-24258-16	45-24258-16		
11		Terminal Block	45-23222-02	45-23222-02	45-23222-02		



Blower Assembly