



RLMA

Parts List
24-April-2014



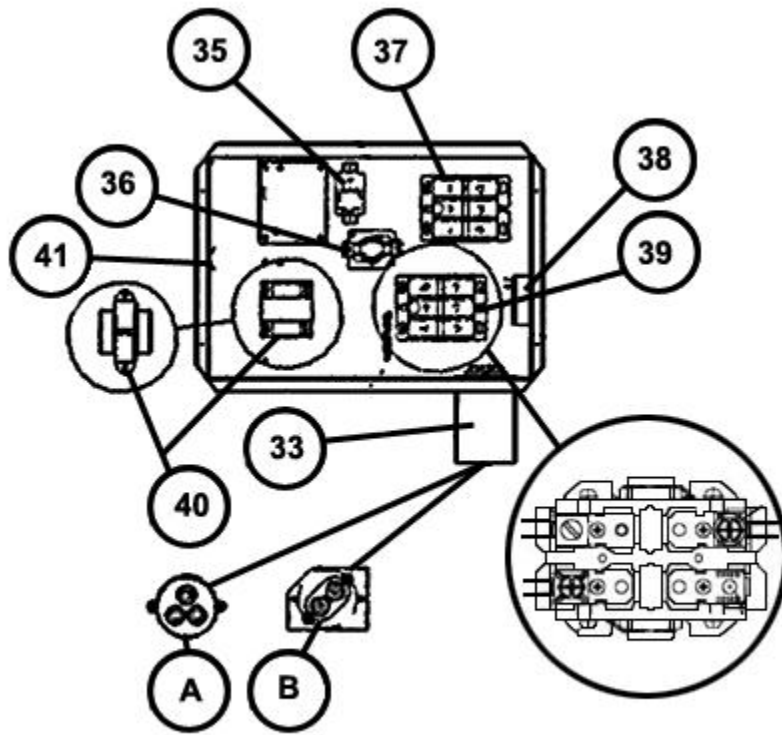
*This parts list is current as of the above revision date.
See <http://www.rheempartslists.net/92-42800-RLMA.pdf> for the current revision.*

Package Air Conditioners - Commercial

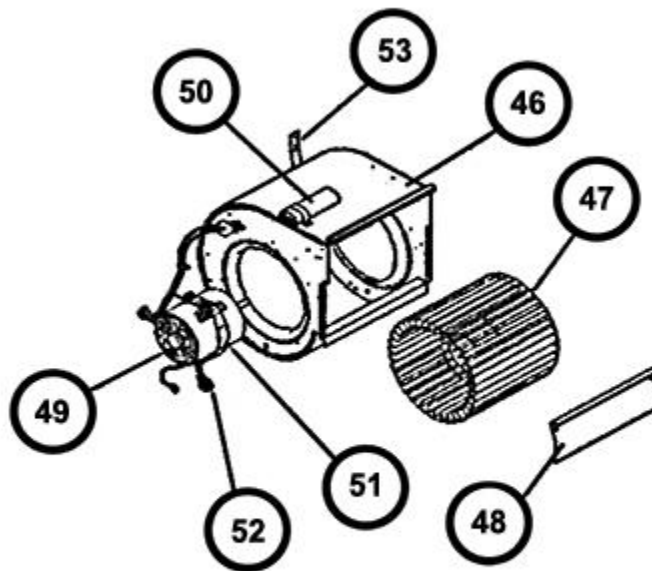
No.	Notes	MODEL TECHNICAL VARIATION COOLING CAPACITY ELECTRICAL DESIGNATION	RLMA- A 036-048 J	RLMA- A 060 J	RLMA- A 036-048 C	RLMA- A 060 C	RLMA- A 072 C
FAN GROUP							
32	Stk	Fan Motor	51-23053-11	51-23052-11	51-23053-11	51-23052-11	51-23052-11
33B	Stk	Run Capacitor - Oval	N/A	N/A	43-25134-02	43-25134-04	43-25134-04
		Capacitor Adapter Plate	N/A	N/A	AE-54609-02	AE-54609-02	AE-54609-02
34	Stk	Fan Blade	70-23137-01	70-19897-01	70-23137-01	70-19897-01	70-19897-01

No.	Notes	MODEL TECHNICAL VARIATION COOLING CAPACITY ELECTRICAL DESIGNATION	RLMA- A 036-048 D	RLMA- A 060 D	RLMA- A 072 D		
FAN GROUP							
32	Stk	Fan Motor	51-23063-11	51-21853-15	51-21853-15		
	Stk	Fan Motor - Option 08?A-Export Market	51-21853-13	N/A	51-21853-13		
33B	Stk	Run Capacitor - Oval	43-25134-02	43-25134-04	43-25134-04		
	Stk	Run Capacitor - Option 08?A-Export Market	43-26133-04	N/A	43-26133-04		
		Capacitor Adapter Plate	AE-54609-02	AE-54609-02	AE-54609-02		
34	Stk	Fan Blade	70-23137-01	70-19897-01	70-19897-01		

No.	Notes	MODEL TECHNICAL VARIATION COOLING CAPACITY ELECTRICAL DESIGNATION	RLMA- A 036-048 Y	RLMA- A 060 Y	RLMA- A 072 Y		
FAN GROUP							
32	Stk	Fan Motor	51-42180-02	51-42180-02	51-42180-02		
33B	Stk	Run Capacitor - Oval	43-25134-03	43-25134-03	43-25134-03		
		Capacitor Adapter Plate	AE-54609-02	AE-54609-02	AE-54609-02		
34	Stk	Fan Blade	70-23137-01	70-19897-01	70-19897-01		



Control Box



Blower Assembly - Direct Drive