



RQMA

Parts List
22-July-2011



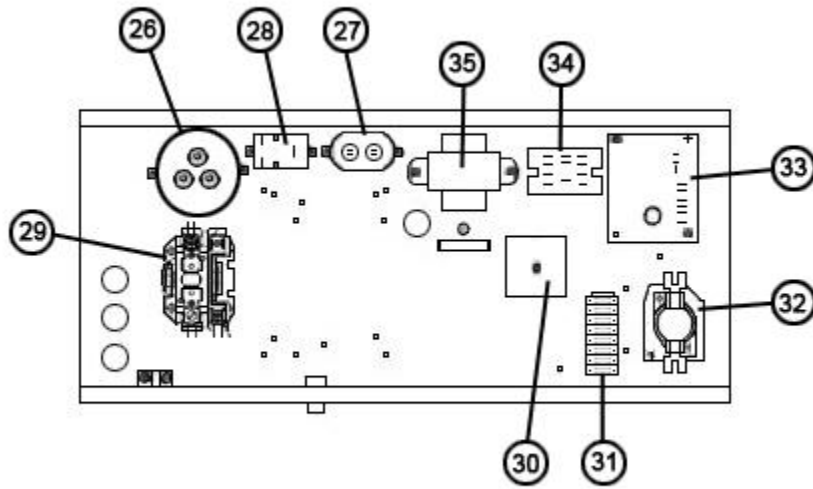
*This parts list is current as of the above revision date.
See <http://www.rheempartslists.net/92-42800-RQMA.pdf> for the current revision.*

Package Heat Pumps

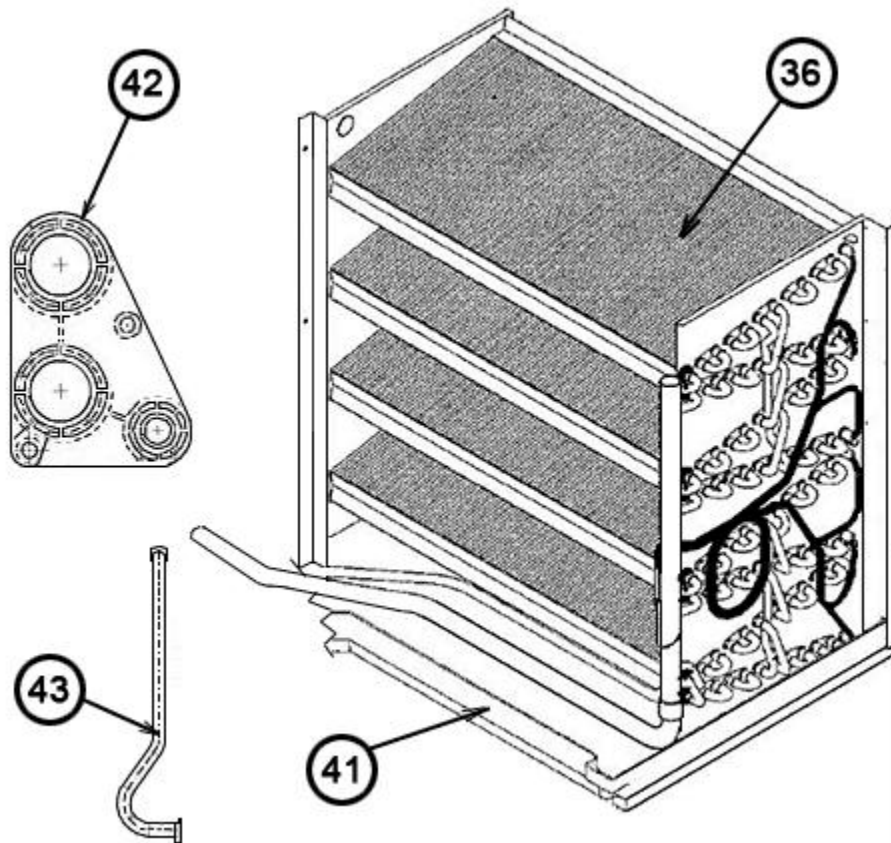
No.	Notes	MODEL TECHNICAL VARIATION COOLING CAPACITY ELECTRICAL DESIGNATION	RQMA A 018-036 J	RQMA A 036 C		
ELECTRICAL GROUP						
CONTROL BOX COMPONENTS:						
28	Stk	Blower Relay	42-25104-06	42-25104-06		
29	Stk	Contactora	42-25101-01	42-25103-01		
30	Stk	Compressor Time Delay Control	42-22655-03	42-22655-03		
31		Terminal Strip	45-23591-01	45-23591-01		
32	Stk	Sequencing Relay	42-21593-03	42-21593-03		
33	Stk	Defrost Control	47-21776-06	47-21776-06		
34	Stk	Defrost Relay	42-21786-06	42-21786-06		
35	Stk	Transformer	46-25107-03	46-42140-03		

No.	Notes	MODEL TECHNICAL VARIATION COOLING CAPACITY ELECTRIC DESIGNATION	RQMA A 018/024/030 J	RQMA A 036 J/C		
FAN GROUP						
56	Stk	Fan Motor	51-21854-02	51-21854-02		
		Capacitor - Fan Motor	See Compressor Group			
57	Stk	Fan Blade	70-21848-05	70-21848-05		

No.	Notes	MODEL TECHNICAL VARIATION COOLING CAPACITY ELECTRICAL DESIGNATION	RQMA A 018 J	RQMA A 024 J	RQMA A 030 J	RQMA A 036 J/C
BLOWER GROUP						
	Stk	Blower Assembly	AS-58662-01	AS-58662-01	AS-58662-02	AS-58662-03
59		Housing	AS-58619-01	AS-58619-01	AS-58619-02	AS-58619-02
60	Stk	Blower Wheel	70-18631-01	70-18631-01	70-18625-01	70-18625-01
61		Motor Mounting Bracket	AS-53148-03	AS-53148-03	AS-53148-03	AS-53148-03
62	Stk	Blower Motor	51-23608-02	51-23608-02	51-23609-02	51-23645-02
		Cut-Off	AE-64401-10	AE-64401-10	AE-64401-06	AE-64401-06
27	Stk	Capacitor - Blower Motor	43-20847-04	43-20847-04	43-20847-12	43-20847-12
	Stk	Limit Control	47-25334-01	47-25334-01	47-25334-01	47-25334-01



Control Box



Evaporator Coil Assembly