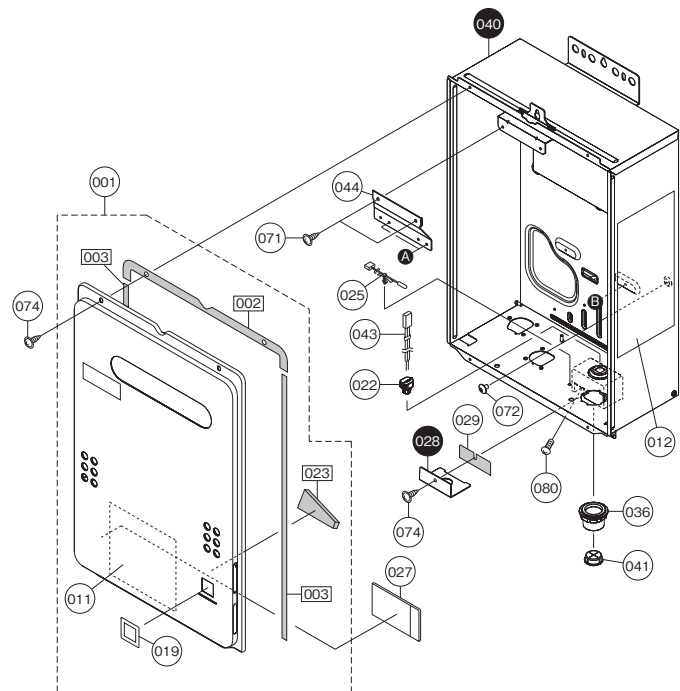


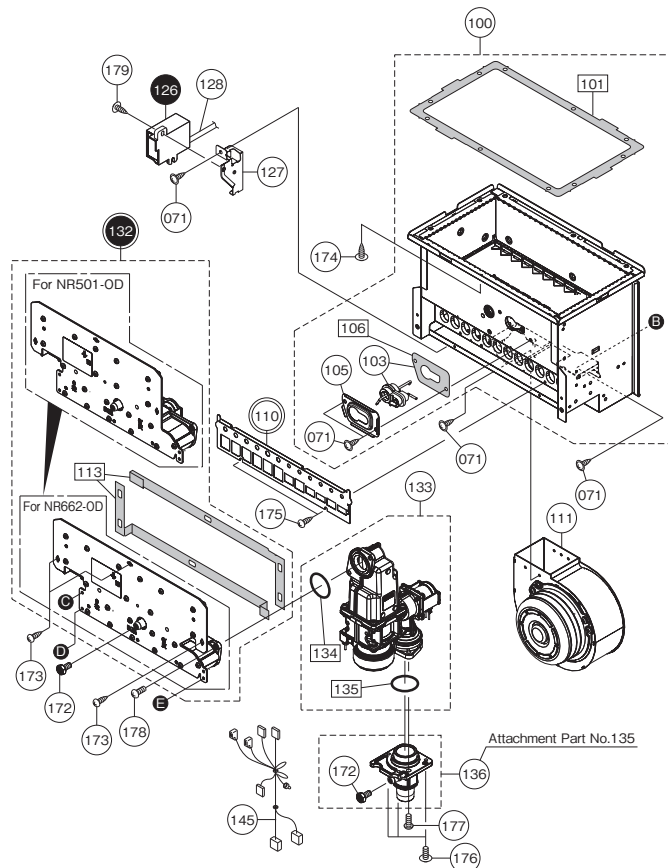
External outfitting NR662-OD.NR501-OD



External outfitting NR662-OD.NR501-OD

Part Nos.	Part Names	Order Nos.	Q'ty/unit
001	Front Cover - NR662-OD (SET)	SKJ70NC	1<NR662-OD>
	Front Cover - NR501-OD (SET)	SKJ70ND	1<NR501-OD>
002	Gasket - Front Cover Top and Bottom	EAL002	1
003	Gasket - Front Cover Sides	EWBL001	2
011	Wiring Diagram	EVRK001	1
012	Label - Outside Case Caution Label	EVRK004	1
019	Sight Glass Window	EVRK002	1
022	Wire Grommet - Rubber	ETPA073	1
023	Gasket - Sight Glass Window	EVL001	1
025	Thermistor - Air	BWCH003	1
027	Parts List	EWHR051	1
028	Junction Box Cover	ENJA025	1
029	Gasket - Junction Box Cover	ENWL005	1
036	Wiring Through Way	EQMA055	1
040	Case - NR662-OD / NR501-OD	EWHA001	1
041	Wire Grommet - Rubber	CXPA026	1
043	Inlet Power Wires	ENJA020	1
044	Mounting Plate - Heat Exchanger	EWBA008	1
071	Screw - Short Tapping M4X8 S410		
072	Screw - Short Machined M4X6 S410		
074	Screw - Front Cover with washer M4X12 S410		
080	Screw - Remote Terminal M4X8 S430		

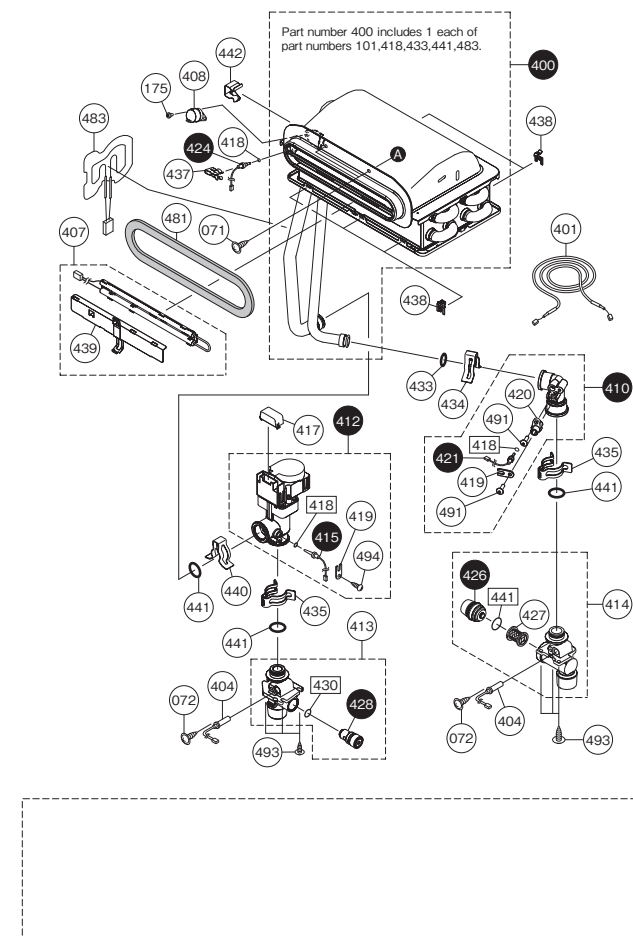
Combustion unit and gas route NR662-OD.NR501-OD



Combustion unit and gas route NR662-OD.NR501-OD

Part Nos.	Part Names	Order Nos.	Q'ty/unit
100	Burner w/ Gasket and Ignition Plug (SET)	SKJ70FU	1<NR662-OD>
	Burner w/ Gasket and Ignition Plug (SET)	SKJ70BU	1<NR501-OD>
101	Gasket - Burner	EVL002	1<NR662-OD>
	Gasket - Burner	EVL002	1<NR501-OD>
103	Ignition Plug w/ Gasket	SKH7391	1
105	Mounting Plate - Ignition Plug	ELL0222	1
106	Gasket - Ignition Plug	ELL003	1
110	Burner Damper 12-6	EVHC088	1<NR662-OD LP>
	Burner Damper 12-6	EVHC086	1<NR501-OD LP>
	Burner Damper 10-2	EVC082	1<NR662-OD LP>
	Burner Damper 10-8	EVC088	1<NR501-OD LP>
111	Fan Motor w/ Housing	SKET389	1
113	Gasket - Manifold Plate	EVL012	2<NR662-OD>
	Gasket - Manifold Plate	EVL012	2<NR501-OD>
126	Igniter	ERDJ112	1
127	Mounting Plate - Igniter	EVA016	1
128	High Voltage Igniter Wire	ALS072	1
132	Manifold Plate 09-14 (SET)	SKJ70FK	1<NR662-OD LP>
	Manifold Plate 11-19 (SET)	SKJ70NH	1<NR662-OD NG>
	Manifold Plate 09-14 (SET)	SKJ70F7	1<NR501-OD LP>
	Manifold Plate 13-22 (SET)	SKJ70BH	1<NR501-OD NG>
133	Gas Valve	SKJ70NE	1
134	O-Ring - Gas Solenoid	SAAB044	1
135	O-Ring - Gas Valve Bottom	1648306	1
136	Inlet Gas Connection w/ Screw (SET)	SKJ70NG	1<NR662-OD>
	Inlet Gas Connection w/ Screw (SET)	SKJ70BW	1<NR501-OD>
145	Wiring Harness - Gas Valve	EVA016	1
172	Screw - Inlet and Manifold Gas M4X8		
173	Screw - Large Manifold Plate M5X16 S410		
174	Screw - Medium Tapping M4X10 S410		
175	Screw - Small Tapping w/o collar M4X8 S410		
176	Screw - Machine Screw M4X12 S430		
177	Screw - Mounting Machine M5X12 S430		
178	Screw - Machine w/ guide M4X14		
179	Screw - Long Tapping M4X12 S410		
		SAC6082	2

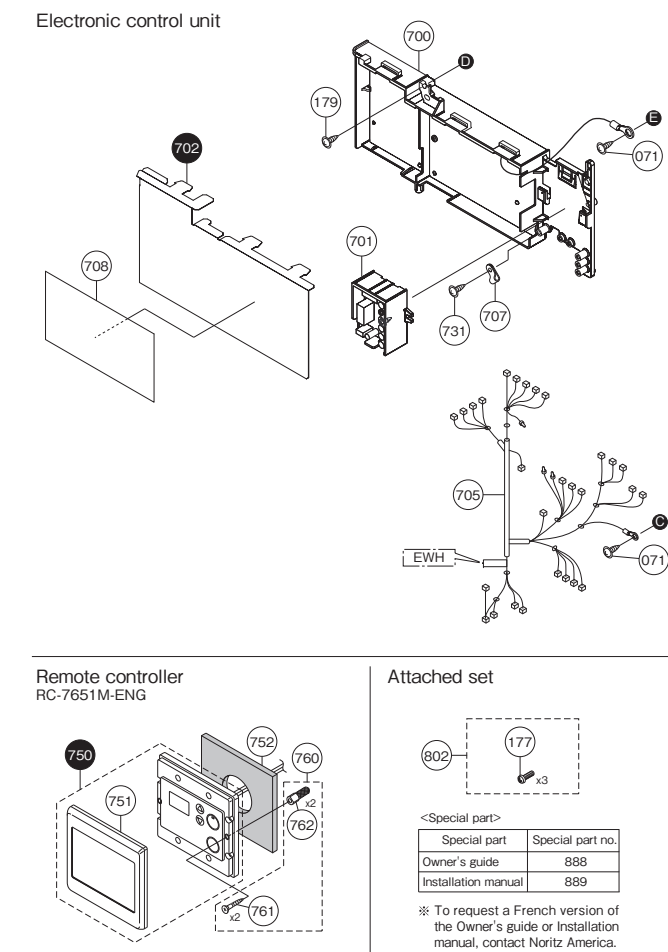
Hot-water feed route NR662-OD.NR501-OD



Hot-water feed route NR662-OD.NR501-OD

Part Nos.	Part Names	Order Nos.	Q'ty/unit
400	Heat Exchanger Kit (OD) (SET)	SKJ70NU	1<NR662-OD>
	Heat Exchanger Kit (OD) (SET)	SKJ70NK	1<NR501-OD>
401	Thermal Fuse	EVA010	1
404	Freeze Prevention Heater - Round Short	EPDH003	2
407	Freeze Prevention Heater - Double Round (SET)	SKJ70BJ	1
408	High Limit Switch	ENH001	1
410	Water Flow Sensor (SET)	EBTD041	1
412	Water Servo -Main (SET)	JDWD001	1
413	Outlet Water Connection	EVRD003	1
414	Inlet Water Connection (SET)	EHVD001	1
415	Thermistor - Hot Water	BWCD096	1
417	Wire Cover - Servo	EBTD023	1
418	O-Ring - Thermistor High Temp P4	1323709	3
419	Thermistor Holding Plate	ALSD088	2
420	Magnetic Sensor - Flow Sensor	BWCD090	1
421	Thermistor - Cold Water	EBTD047	1
424	Thermistor -Heat Exchanger	BWCD098	1
426	Water Filter Cap	DTJD006	1
427	Water Filter	EGBD032	1
428	Safety Relief Valve	SA2811	1
430	O-Ring - High Temp P9	SAD6635	1
433	O-Ring - High Temp P12.5	3359098	1
434	"C" Clamp - Water Pipe 13.22	SAD6537	1
435	"C" Clamp - Water Pipe 16A	6340300	2
437	"C" Clamp - Thermistor	CRUD055	1
438	Clamp - Thermal Fuse	EVAH004	5
439	Clamp - Freeze Prevention	EVAH001	1
440	"C" Clamp - Water Pipe 16.25	SAD6593	1
441	O-Ring - High Temp P16	3223302	4
442	Clamp -Thermal Fuse	CMNH003	1
481	Gasket - Exhaust (OD)	DJPL007	1<NR662-OD>
	Gasket - Exhaust	DTXL003	1<NR501-OD>
483	Freeze Prevention Heater	EVRH002	1
491	Screw - Round Head Medium Tapping M4X10 S305		
493	Screw - Long Machine M4X12 S410		
494	Screw - Round Head Medium Tapping M4X10 S410		

Electronic control unit,Remote controller,Attached set NR662-OD.NR501-OD



Electronic control unit,Remote controller,Attached set NR662-OD.NR501-OD

Part Nos.	Part Names	Order Nos.	Q'ty/unit
700	Circuit Board	SHC702L	1
701	Circuit Board	SHC701M	1
702	Cover - Circuit Board	EVAH015	1
705	Wiring Harness - NR662-OD	EVAH011	1
707	Wire Clamp - Nylon	7287909	1
708	Label - Circuit Board Plastic Cover	EVRK006	1
731	Screw - Remote Terminal Cover M4X12 S410		
750	Remote Controller - RC-7651M (SET)	OKU017	1
751	Cover - Remote	QMEA003	1
752	Mounting Packing - Remote	OHUA115	1
760	Screw Package - Remote(SET)	QUUA100	1
761	Screw - Round Head Wood M4.1X25 S305		
762	Dry Wall Anchors6X25		
800	Box - NR662-OD	SKJ70NF	1
	Label - Gas Type LP	ESCK008	1<LP>
802	Screw Package - Mounting OD	SAB2286	1
888	Owner's Guide - NR662-OD	SBB8065	1
889	Installation Manual - NR662-OD	SBB8066	1