

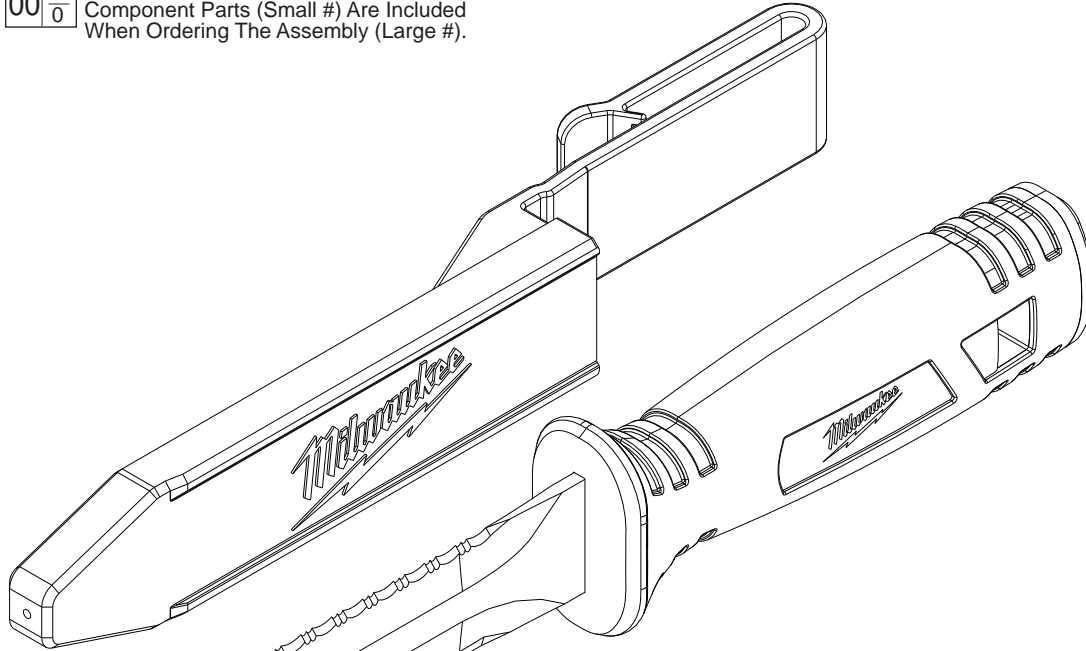


SERVICE PARTS LIST

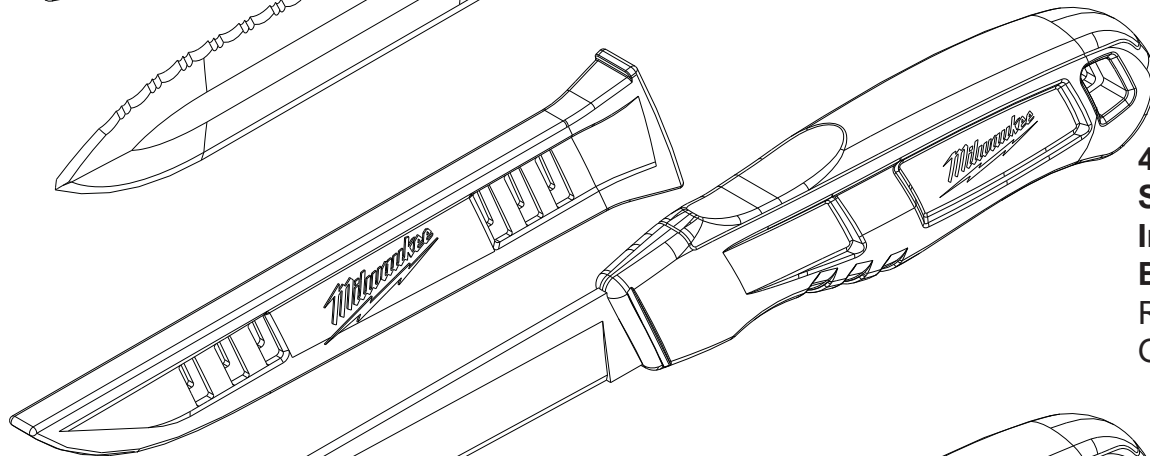
BULLETIN NO.
54-49-3150

SPECIFY CATALOG NO. AND SERIAL NO. WHEN ORDERING PARTS		REVISED BULLETIN	DATE
INSULATION KNIVES			May 2015
CATALOG NO.	48-22-1920	Duct Knife (Smooth Edge and Serrated Edge)	
	48-22-1921	Smooth Blade Insulation Knife	
	48-22-1922	Serrated Blade Insulation Knife	

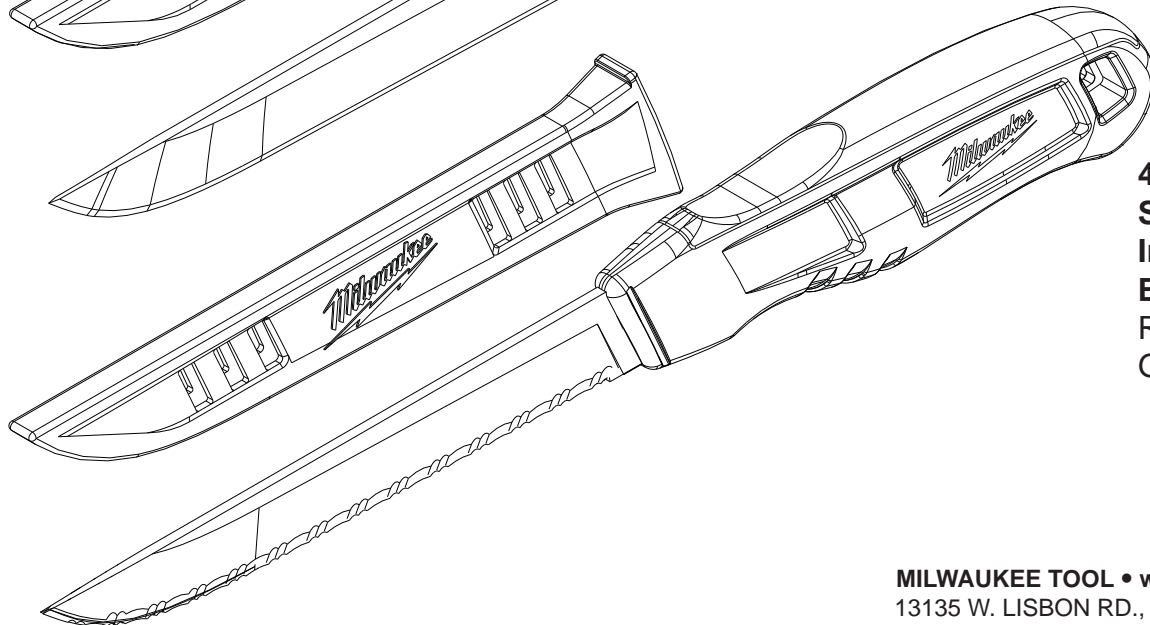
00 0 **EXAMPLE:**
Component Parts (Small #) Are Included
When Ordering The Assembly (Large #).



48-22-1920
Duct Knife
with Sheath
Replacement
Sheath: 49-62-0055



48-22-1921
Smooth Blade
Insulation Knife w/
Blade Guard
Replacement Blade
Guard: 49-62-0065



48-22-1922
Serrated Blade
Insulation Knife w/
Blade Guard
Replacement Blade
Guard: 49-62-0065